



Nothing but **HEAVY DUTY.**[™]



M18 FMCS66

User Manual

操作指南

操作指南

사용시 주의사항

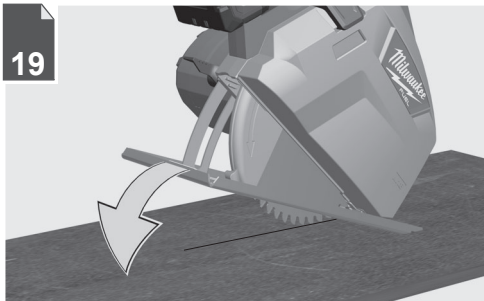
คู่มือการใช้

Buku Petunjuk Pengguna

Cẩm nang hướng dẫn sử dụng

ユーザーマニュアル

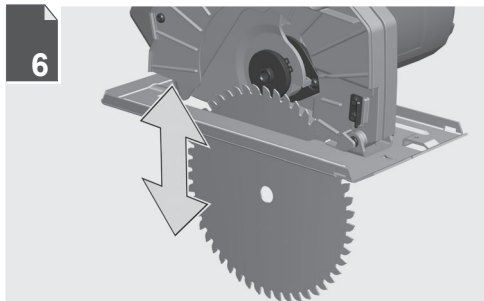
19



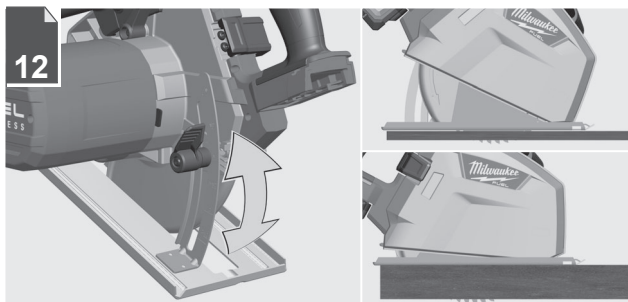
18



6



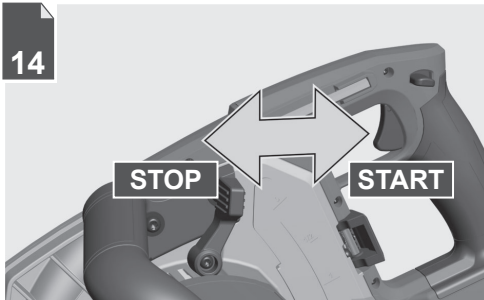
12



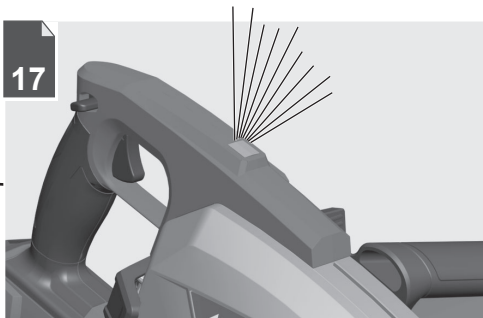
20



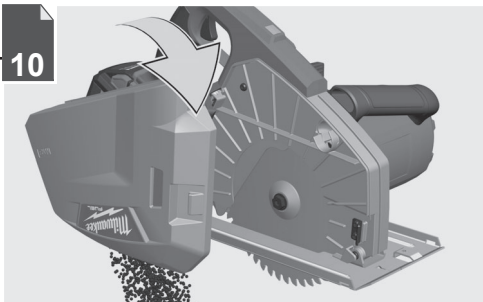
14



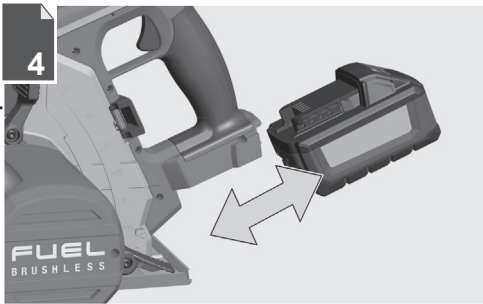
17



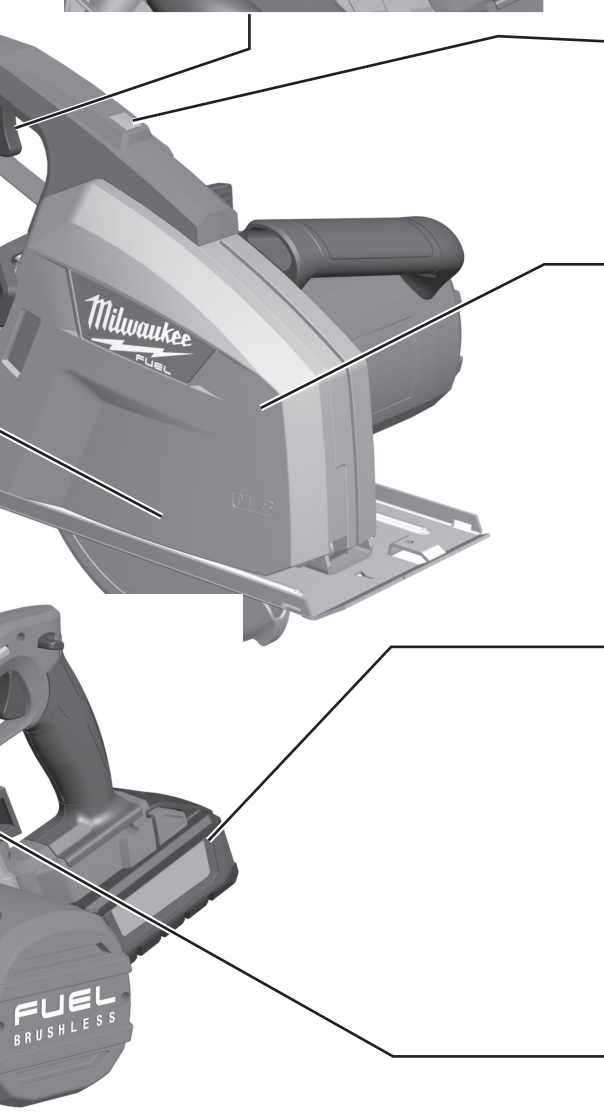
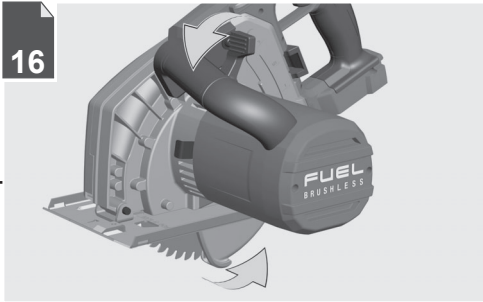
10

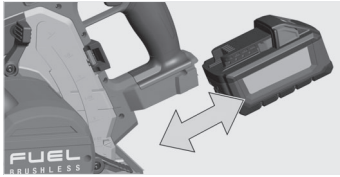


4



16





Remove the battery pack before starting any work on the product.

在產品上開始任何工作之前，請先取出電池組。

在产品上开始任何工作之前，请先取出电池组。

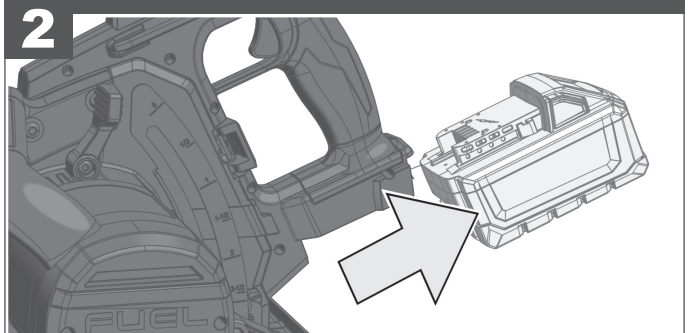
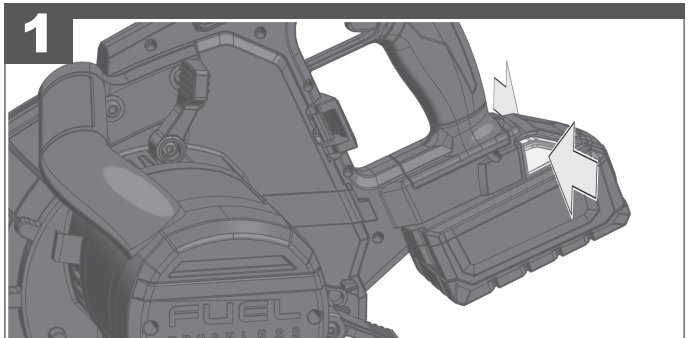
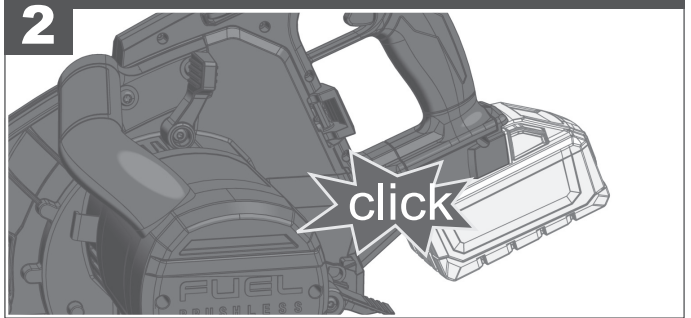
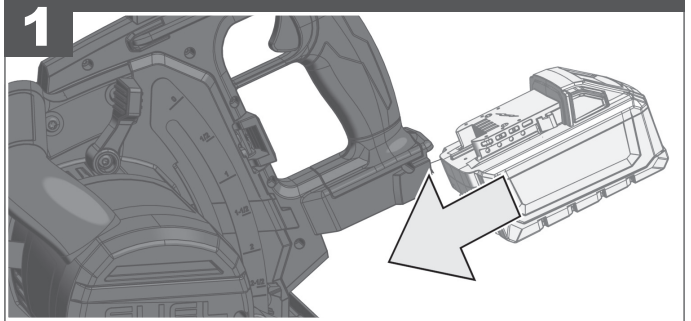
제품 사용 전, 배터리 팩을 제거하십시오.

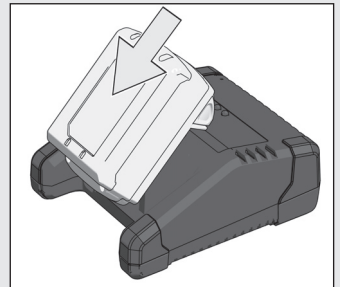
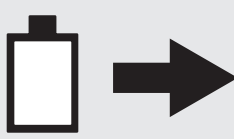
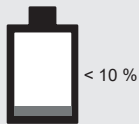
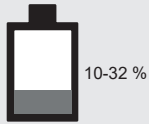
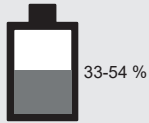
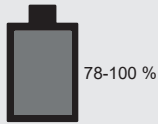
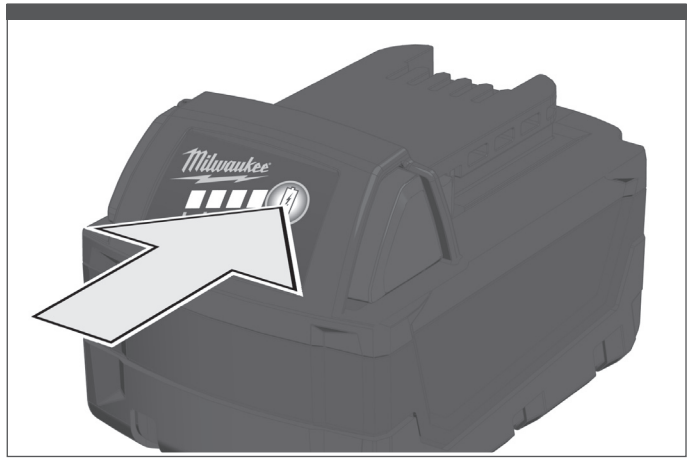
ถอดชุดแบตเตอรี่ออกก่อนเริ่มการทำงานใด ๆ กับผลิตภัณฑ์

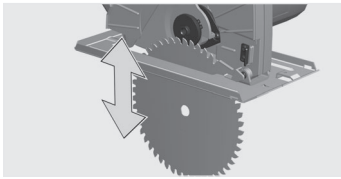
Lepaskan paket baterai sebelum memulai pekerjaan apa pun pada produk.

Tháo pin trước khi bắt đầu thao tác với sản phẩm.

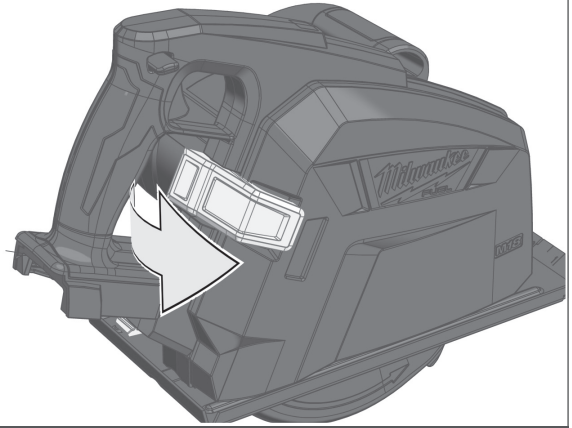
製品のメンテナンス、アクセサリを交換する前に、バッテリーパックを取り外してください。



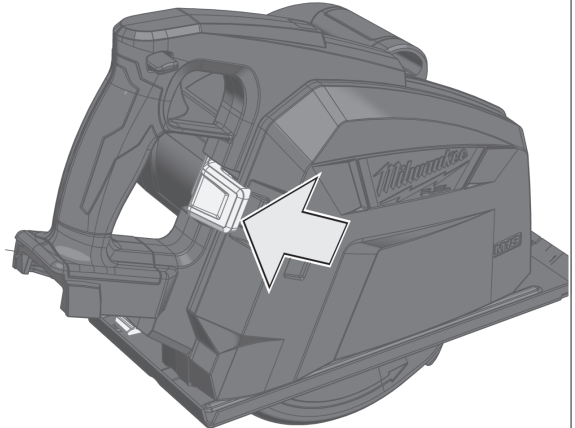




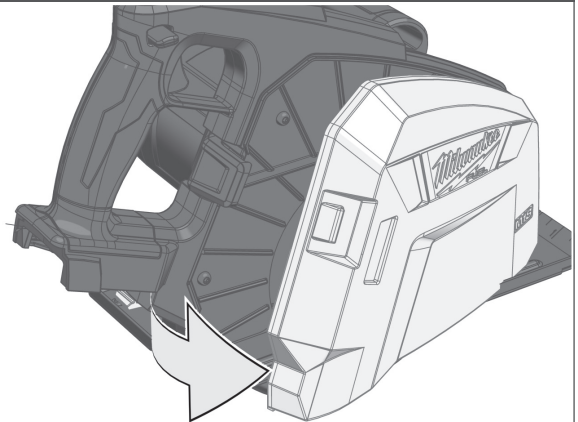
1



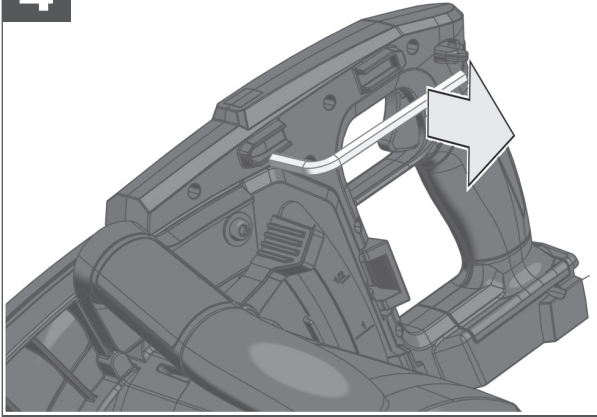
2



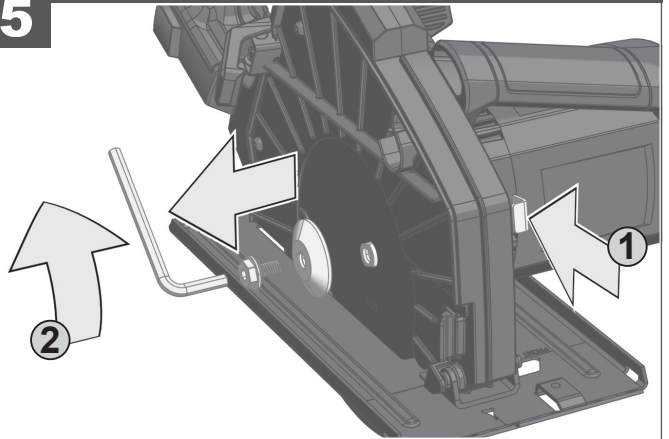
3



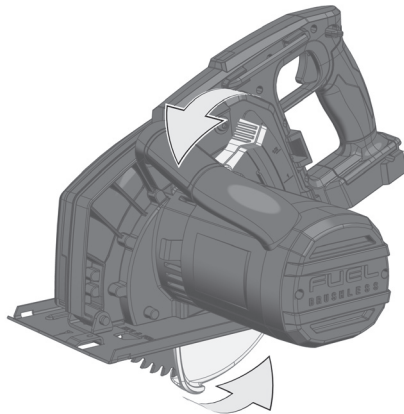
4



5

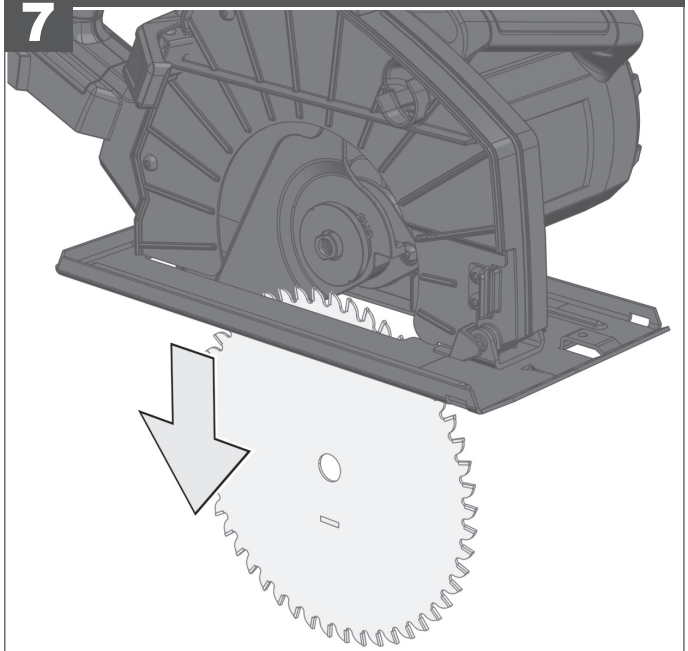


6

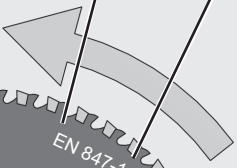
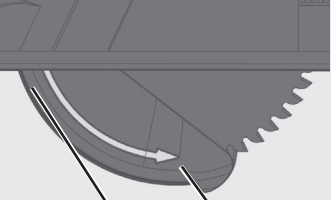
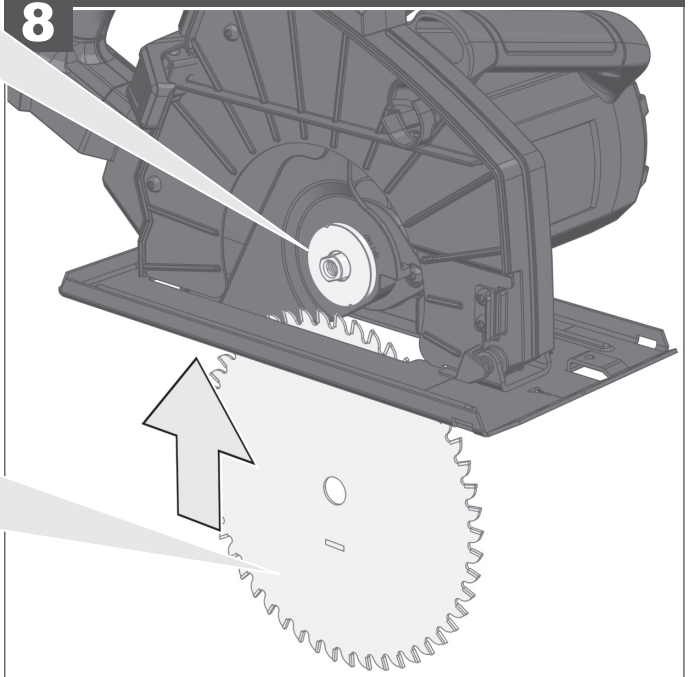




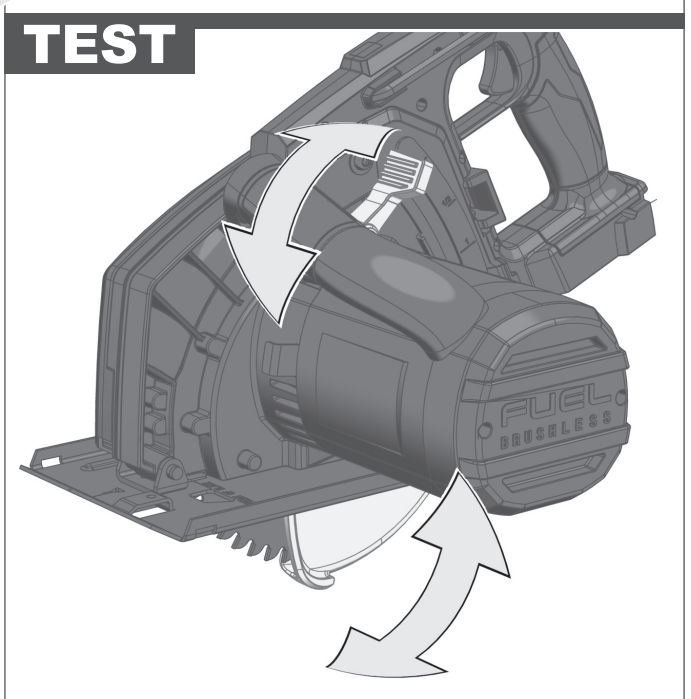
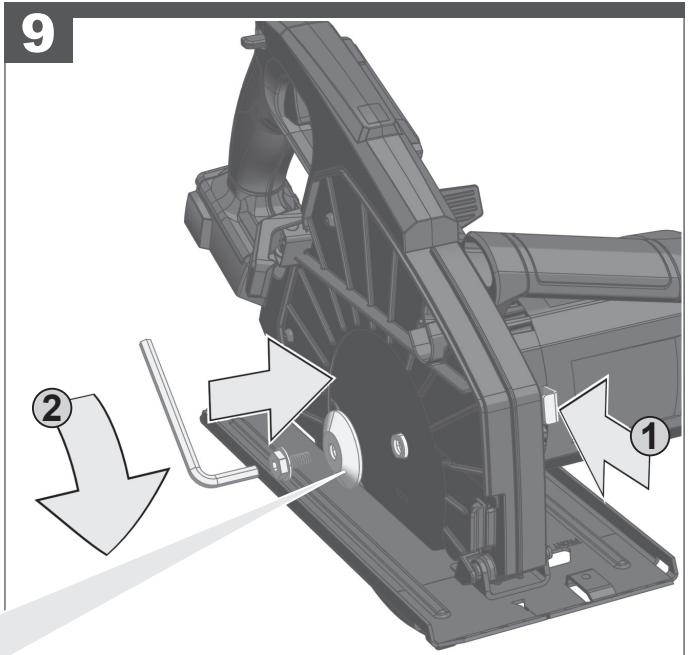
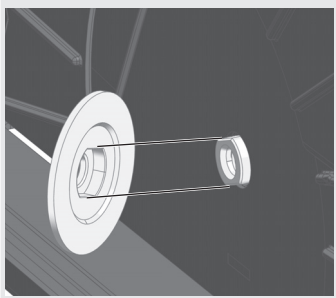
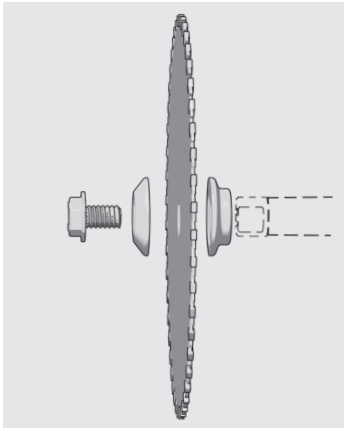
7

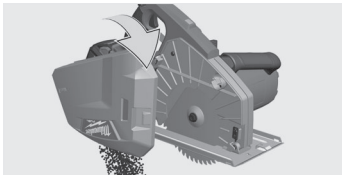


8

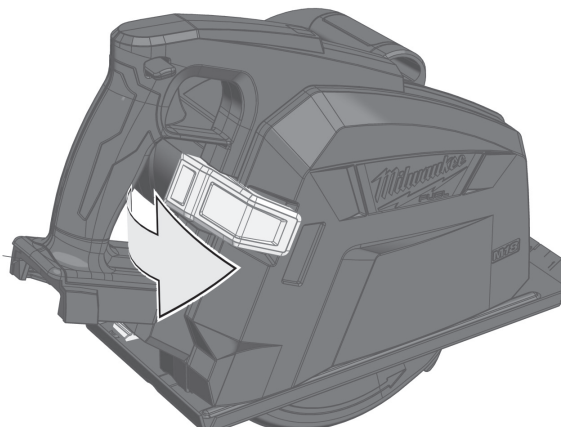


EN 847-1

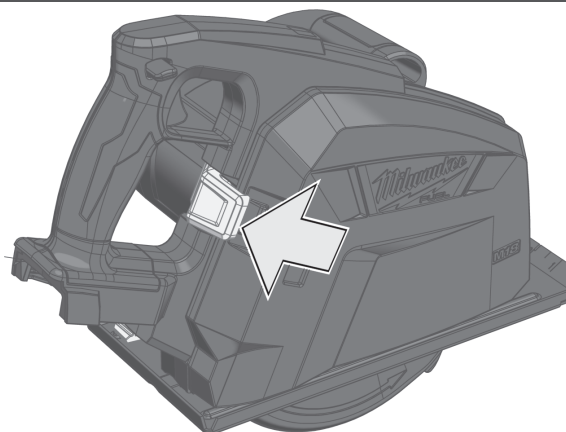




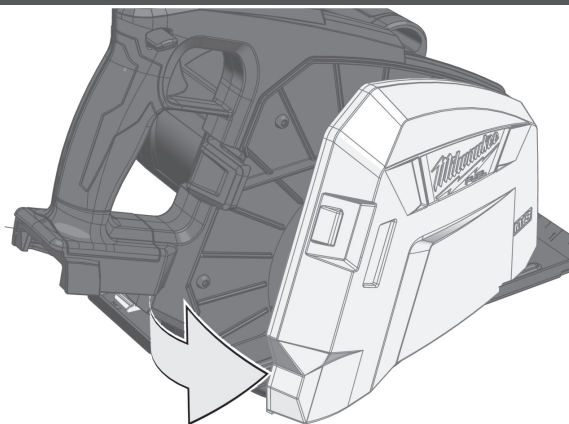
1



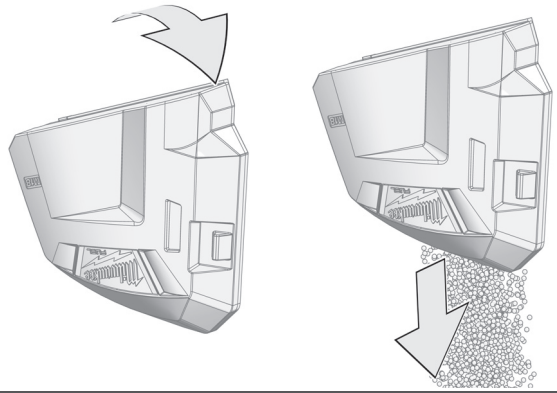
2



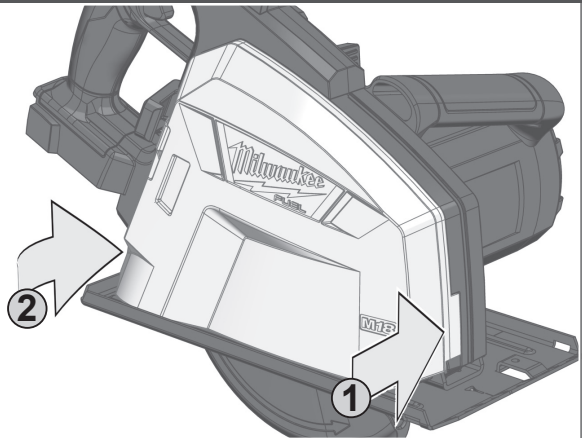
3



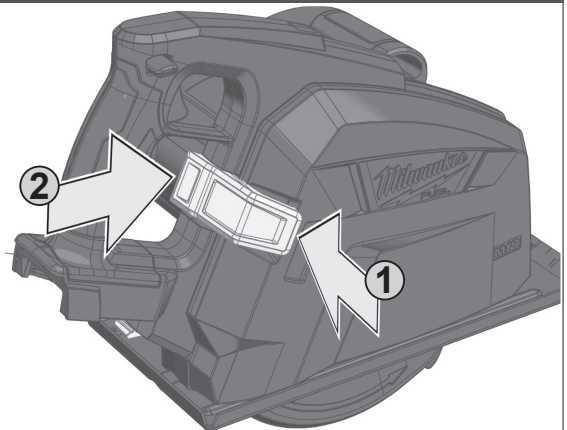
4

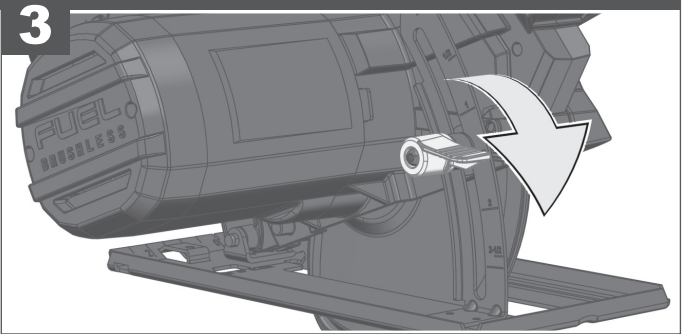
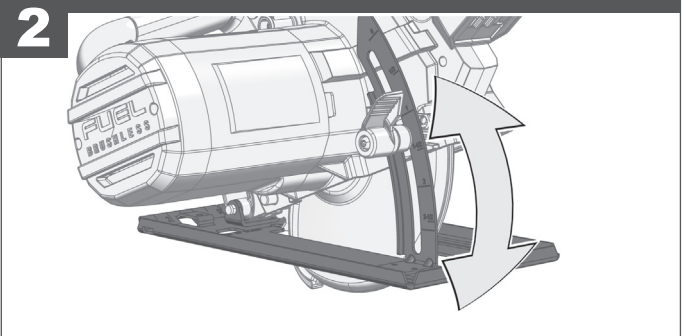
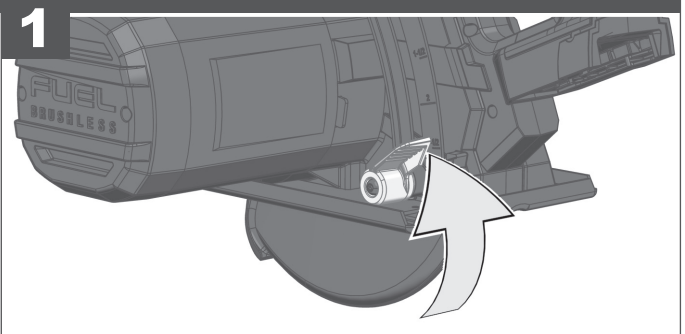
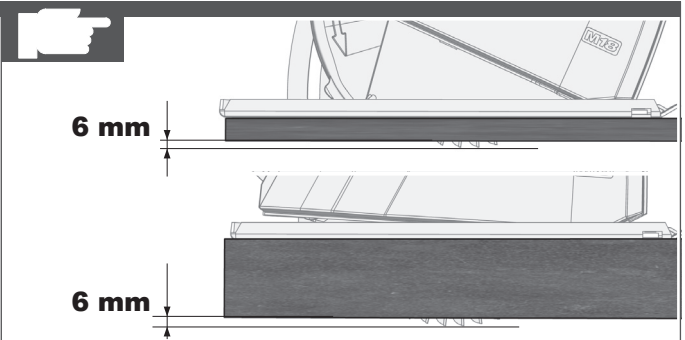
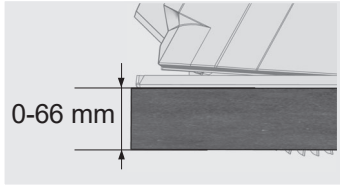
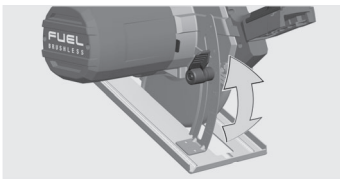


5



6





Adjust the cutting depth to the thickness of the workpiece.
Less than a full tooth of the blade teeth should be visible
below the workpiece.

根據工件的厚度調整切割深度。深度不得超過工件下方一個鋸齒的長度。

根据工件的厚度调整切割深度。深度不得超过工件下方一个锯齿的位置。

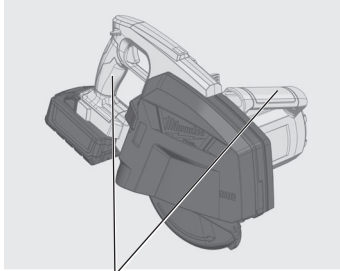
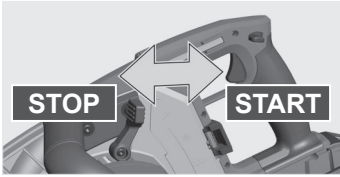
절단 깊이를 작업편 두께로 조절하십시오. 적어도 작업편 아래에서 블레이드 톱니의 일부가 보여야 합니다.

ปรับความลึกในการตัดตามความหนาของชิ้นงาน ควรมองเห็นฟันใบมีดน้อยกว่าที่เห็นในชิ้นงาน

Sesuaikan kedalaman pemotongan dengan ketebalan benda kerja. Bilah gergaji penuh harus terlihat di bawah benda kerja, kurang dari satu mata gergaji penuh.

Điều chỉnh độ sâu cắt theo độ dày của vật gia công. Chỉ một phần răng của lưỡi cưa nên được nhìn thấy bên dưới vật gia công.

ワークピースの厚さに合わせて切り込み深さを調整してください。刃歯の全歯ではなく一部がワークピースの下に見えるはずです。



Insulated gripping surface

絶縁把手

绝缘夹持表面

절연 그립 표면

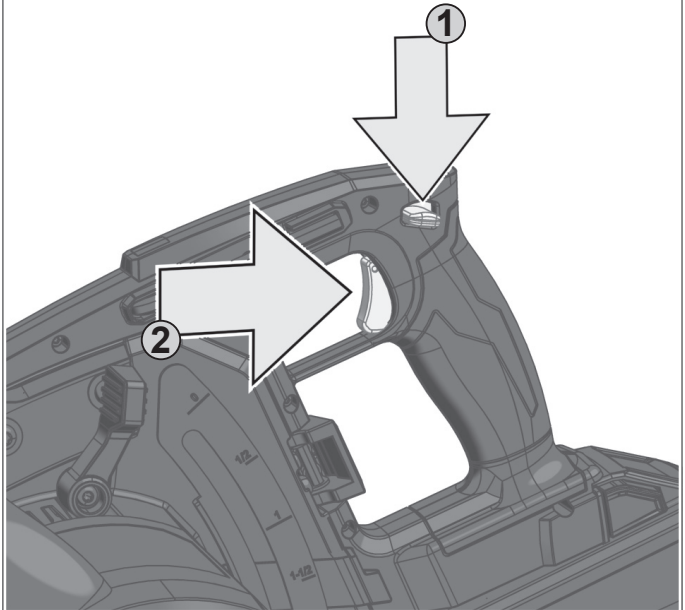
พื้นผิวจับกันความร้อน

Permukaan genggam berinsulasi

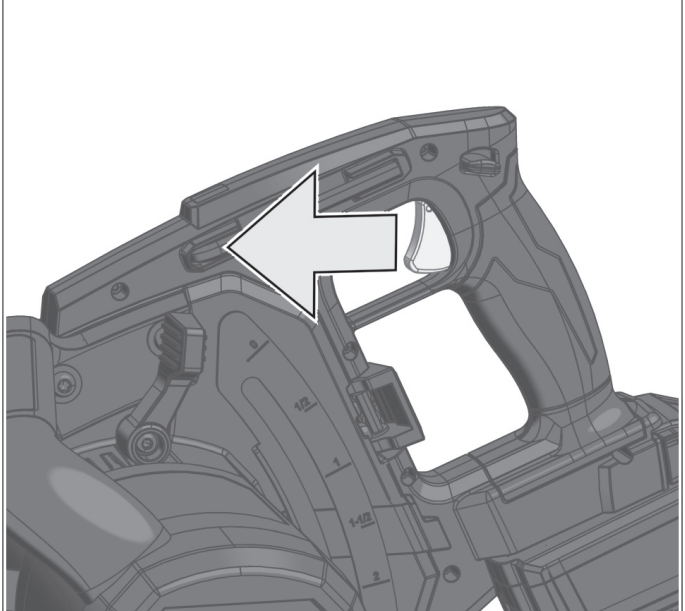
Bề mặt tay cầm được cách điện

絶縁グリップ面

START



STOP



For safety reasons, the product is fitted with a switch lock, and the On/Off switch cannot be locked in the "ON" position.

基於安全理由，產品配有開關鎖，而且開/關鍵不能鎖定在開的位置。

基于安全理由，产品配有开关锁，而且开/关键不能锁定在开的位置。

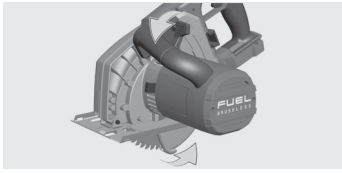
안전 이유로, 이 전동 공구에는 잠금 스위치가 장착되어 있는데, "켜짐" 위치에서는 On/Off 스위치가 잠겨지지 않습니다.

เพื่อเหตุผลด้านความปลอดภัยเครื่องมือไฟฟ้านี้ได้รับการติดตั้งสวิตช์ล็อกและสวิตช์เปิด / ปิดไม่สามารถล็อกในตำแหน่ง "เปิด"

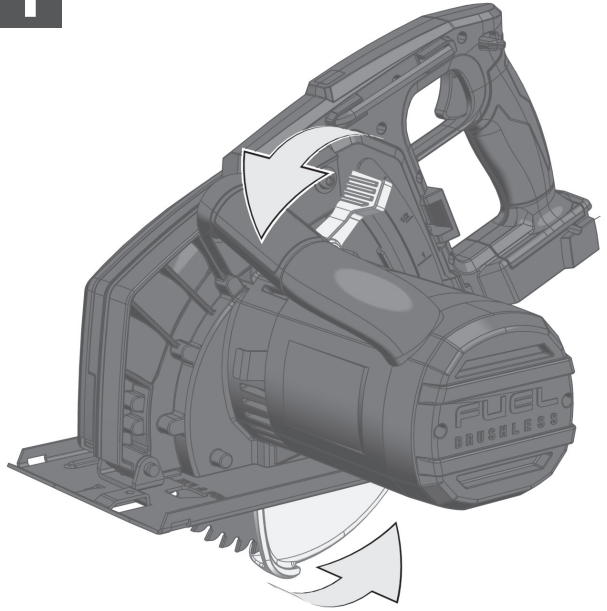
Untuk alasan keamanan, perkakas listrik ini dilengkapi dengan kunci sakelar dan sakelar On-/Off tidak dapat dikunci pada posisi "On".

Vì lý do an toàn, Sản phẩm được lắp 1 công tắc khóa. Công tắc bật tắt không thể bị khóa khi đang ở vị trí "ON" (BẬT)

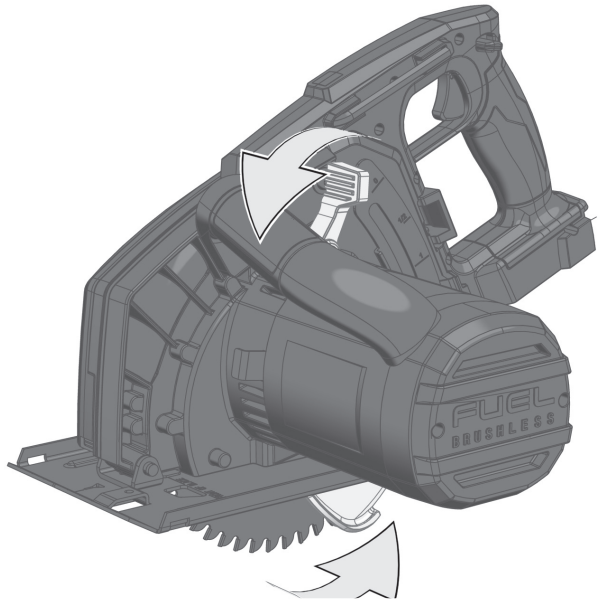
安全上の理由から、製品にはスイッチロックが装備されており、オン/オフスイッチを「オン」の位置にロックすることはできません。

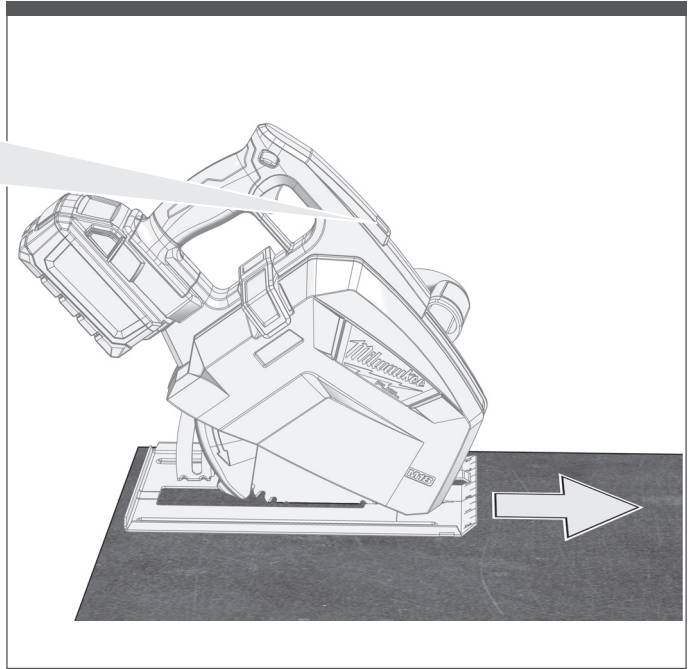
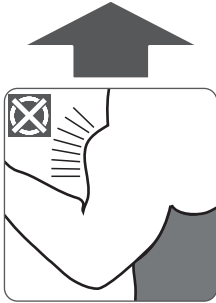
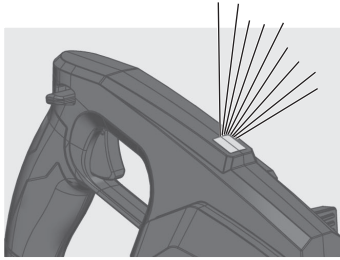
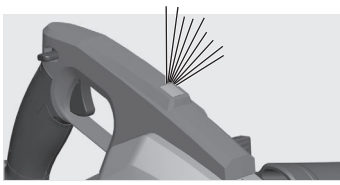


1



2





If the product is overloaded, the load indicator light turns on. Lighten the pressure, the load indicator turns off.

如果產品過載，則負載指示燈亮起。減輕壓力，負載指示燈熄滅。

如果产品过载，则负载指示灯亮起。减轻压力，负载指示灯熄灭。

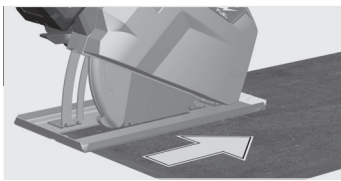
제품에 과부하가 발생하면 부하 지시등이 켜집니다. 압력을 낮추면 부하 지시등이 꺼집니다.

ถ้าผลิตภัณฑ์ทำงานโอเวอร์โหลด ไฟตัวบ่งชี้โอเวอร์โหลดจะติด เมื่อคลายแรงดัน ไฟตัวบ่งชี้โอเวอร์โหลดจะดับ

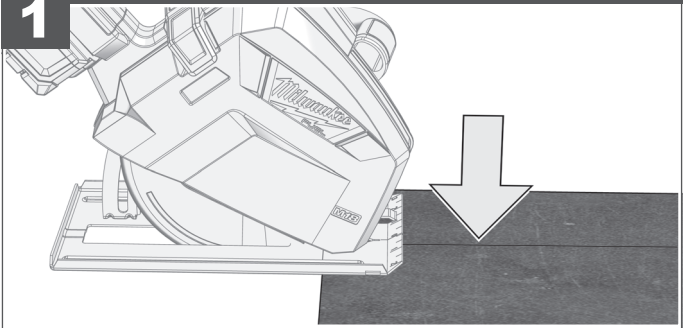
Jika produk kelebihan beban, lampu indikator beban menyala. Kurangi tekanan, indikator beban akan padam.

Nếu sản phẩm bị quá tải, đèn báo quá tải sẽ bật. Hãy giảm áp suất, và đèn báo quá tải sẽ tắt.

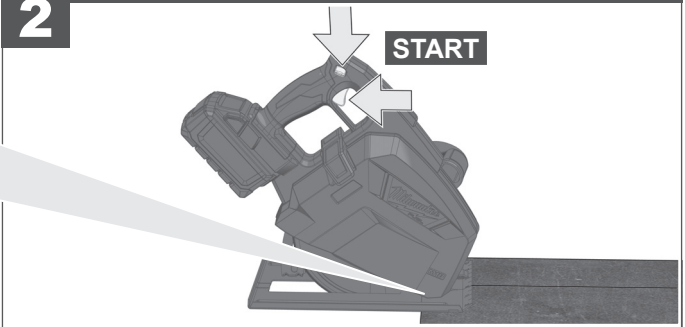
製品に過負荷がかかると、負荷指示計のライトが点灯します。圧力を軽くすると、負荷指示計が消灯します。



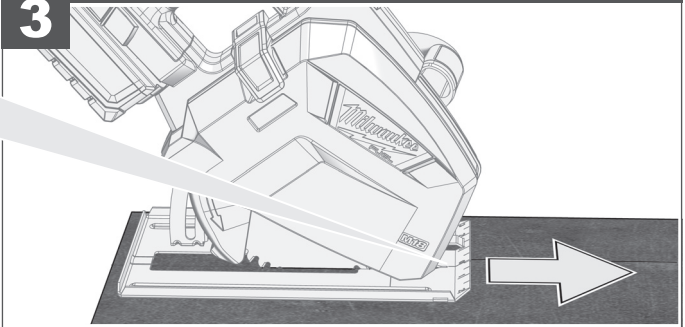
1



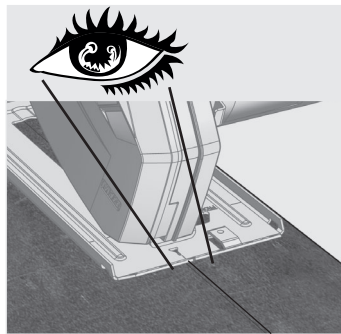
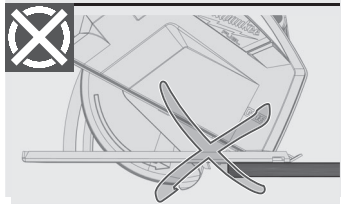
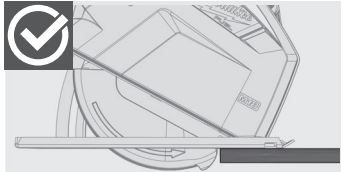
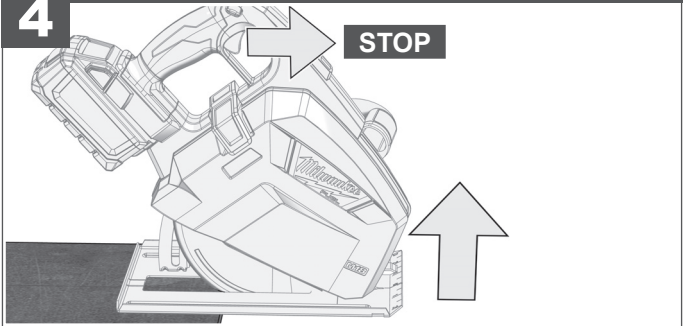
2

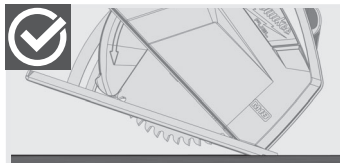
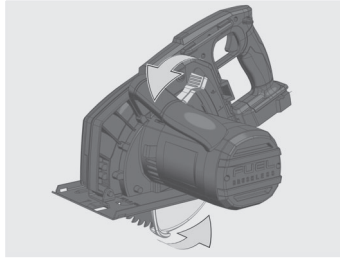
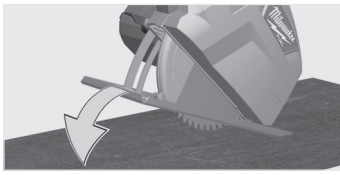


3

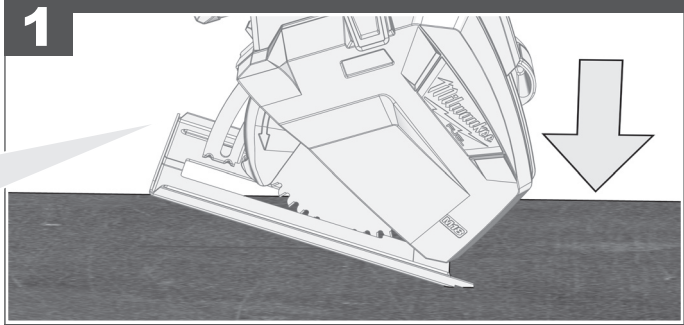


4

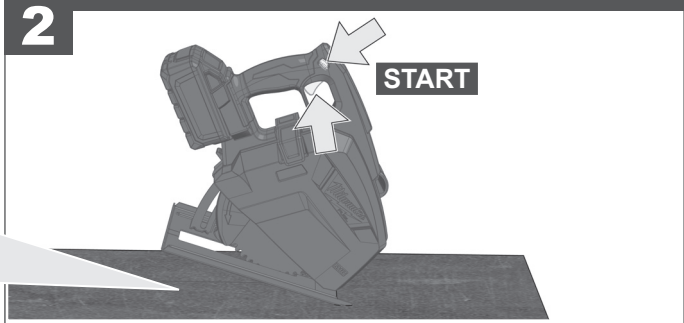




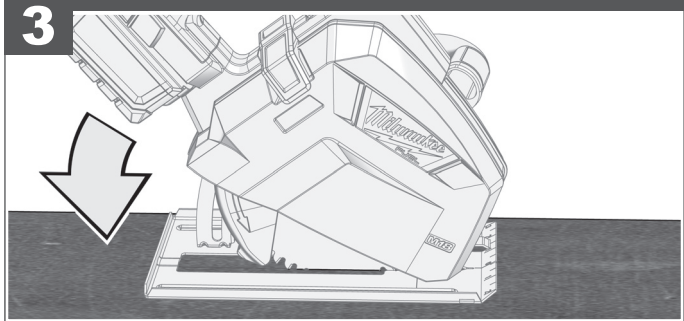
1



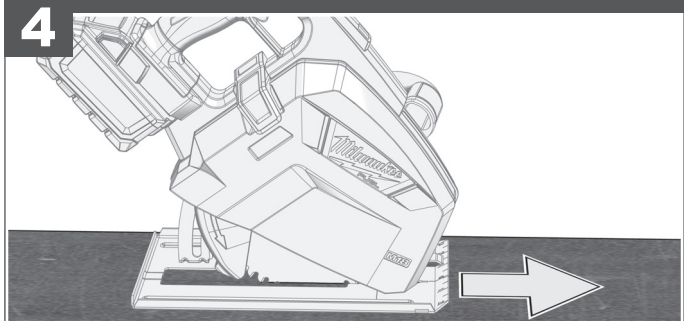
2

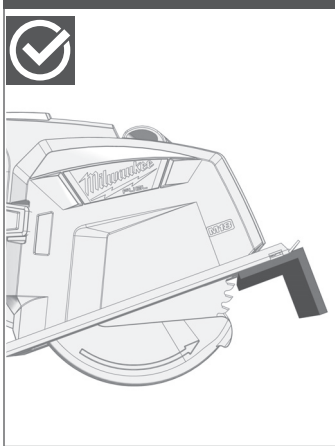
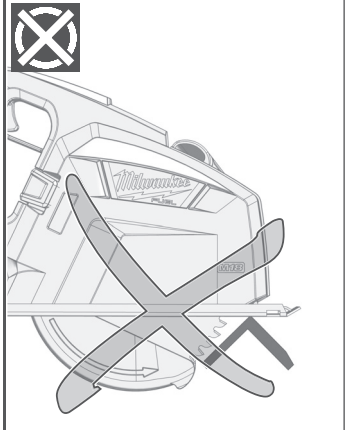
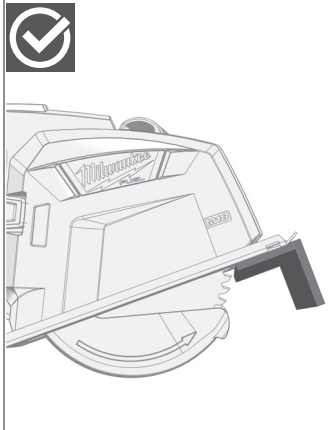
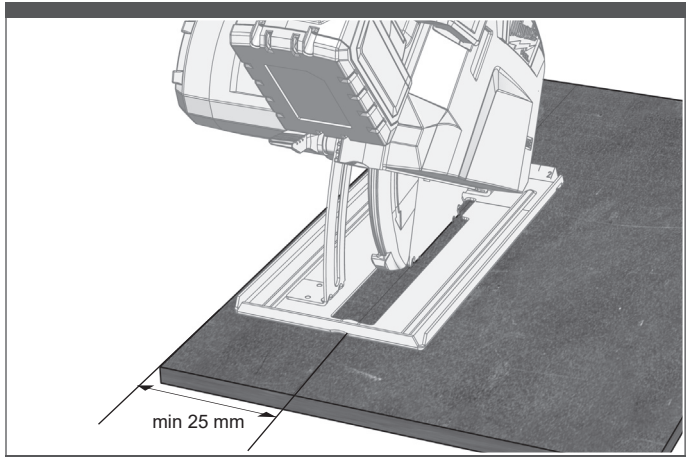


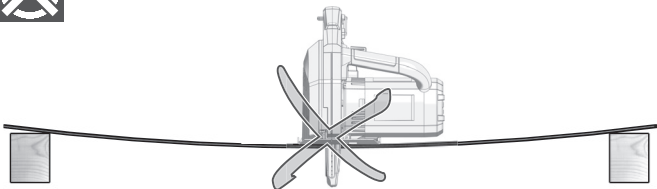
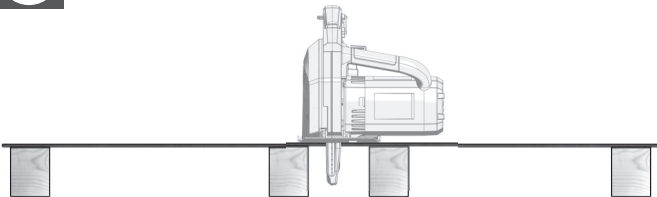
3



4







Carry out a test cut.

進行測試。

进行测试。

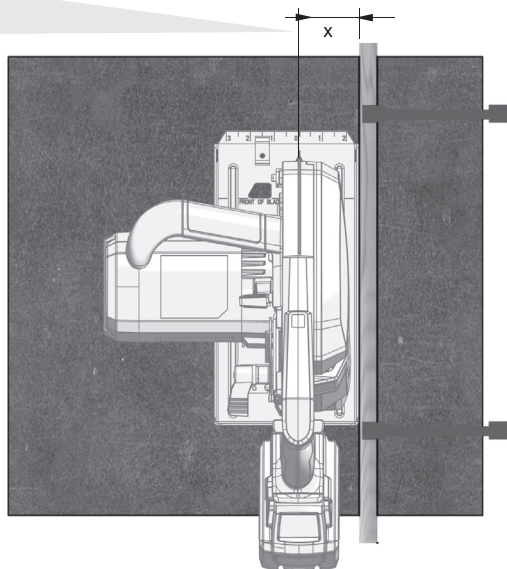
시험 절단을 수행하십시오.

ดำเนินการทดสอบการตัด

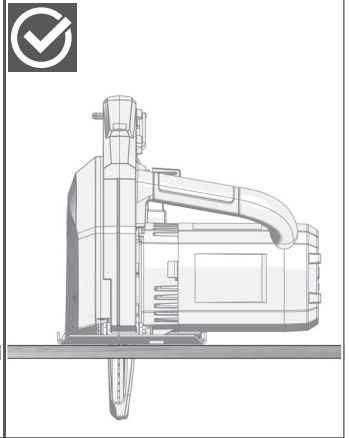
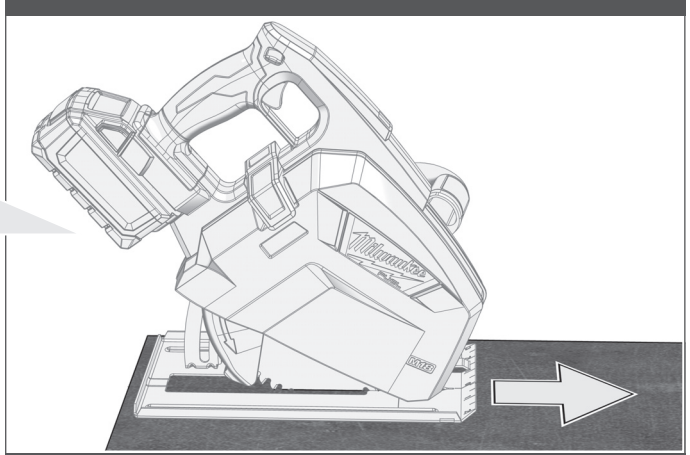
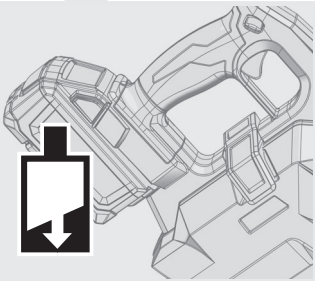
Lakukan tes pemotongan

Thực hiện cắt thử nghiệm.

テストカットを実施します。



i TIP



No-load speed	4000/min
Saw blade diameter x hole diameter	203 x 15.87 mm
Saw blade thickness	1.8 mm
Blade teeth	42
Maximum cutting depth	66 mm
Maximum cutting capacity	
Steel plate	25 mm
Angle iron	63.5 x 63.5 x 6.35 mm
Metal pipe	ø 50 mm
Sections	66 mm
Steel stud	2.5 mm
Battery voltage	18 V
Weight without battery	6.0 kg
Weight according to EPTA-Procedure 01/2014 (2.0 Ah – 12.0 Ah)	6.4 kg – 7.5 kg
Recommended ambient operating temperature	-18 °C – +50 °C
Recommended battery types	M18B, M18 HB
Recommended charger	M12-18C, M12-18FC, M12-18AC, M12-18C3

Noise/vibration information

Measured values determined according to EN 62841

A-weighted sound pressure level	97.2 dB(A)
Uncertainty K	3 dB (A)
A-weighted sound power level	108.2 dB(A)
Uncertainty K	3 dB (A)

Wear ear protectors.

Total vibration values (vector sum in the three axes) determined according to EN 62841

Vibration emission value a_h

Sawing of metal	1.1 m/s ²
Uncertainty K	1.5 m/s ²

WARNING!

The vibration and noise emission level given in this information sheet has been measured in accordance with a standardised test given in EN 62841 and may be used to compare one tool with another. It may be used for a preliminary assessment of exposure.

The declared vibration and noise emission level represents the main applications of the tool. However, if the tool is used for different applications, with different accessories or poorly maintained, the vibration and noise emission may differ. This may significantly increase the exposure level over the total working period.

An estimation of the level of exposure to vibration and noise should also take into account the times when the tool is switched off or when it is running but not actually doing the job. This may significantly reduce the exposure level over the total working period.

Identify additional safety measures to protect the operator from the effects of vibration and noise, such as maintaining the tool and the accessories, keeping the hands warm, and organising work patterns.

⚠ WARNING! Read all safety warnings, instructions, illustrations, and specifications provided with this product. Failure to follow all instructions listed below may result in electric shock, fire and/or serious injury.

Save all warnings and instructions for future reference.

⚠ CIRCULAR SAW SAFETY WARNINGS

Cutting procedure

⚠ Danger: Keep hands away from cutting area and the blade. Keep your second hand on auxiliary handle or motor housing. If both hands are holding the saw, they cannot be cut by the blade.

Do not reach underneath the workpiece. The guard cannot

protect you from the blade below the workpiece.

Adjust the cutting depth to the thickness of the workpiece. Less than a full tooth of the blade teeth should be visible below the workpiece.

Never hold workpiece being cut in your hands or across your leg while cutting. Secure the workpiece to a stable platform. It is important to support the work properly to minimize body exposure, blade binding, or loss of control.

Hold the power tool by insulated gripping surfaces, only when performing an operation where the cutting tool may contact hidden wiring. Cutting accessory contacting a "live" wire may make exposed metal parts of the power tool "live" and could give the operator an electric shock.

When ripping, always use a rip fence or straight edge guide. This improves the accuracy of cut and reduces the chance of blade binding.

Always use blades with correct size and shape (diamond versus round) of arbour holes. Blades that do not match the mounting hardware of the saw will run eccentrically, causing loss of control.

Never use damaged or incorrect blade washers or bolt. The blade washers and bolt were specially designed for your saw, for optimum performance and safety of operation.

KICKBACK CAUSES AND RELATED WARNINGS

– Kickback is a sudden reaction to a pinched, jammed or misaligned saw blade, causing an uncontrolled saw to lift up and out of the workpiece toward the operator.

– When the blade is pinched or bound tightly by the kerf closing down, the blade stalls and the motor reaction drives the unit rapidly back toward the operator.

– If the blade becomes twisted or misaligned in the cut, the teeth at the back edge of the blade can dig into the top surface of the metal causing the blade to climb out of the kerf and jump back toward the operator.

Kickback is the result of saw misuse and/or incorrect operating procedures or conditions and can be avoided by taking proper precautions as given below.

Maintain a firm grip with both hands on the saw and position your arms to resist kickback forces. Position your body to either side of the blade, but not in line with the blade. Kickback could cause the saw to jump backwards, but kickback forces can be controlled by the operator, if proper precautions are taken.

When blade is binding, or when interrupting a cut for any reason, release the trigger and hold the saw motionless in the material until the blade comes to a complete stop. Never attempt to remove the saw from the work or pull the saw backward while the blade is in motion or kickback may occur. Investigate and take corrective actions to eliminate the cause of blade binding.

When restarting a saw in the workpiece, centre the saw blade in the kerf so that the saw teeth are not engaged into the material. If a saw blade binds, it may walk up or kickback from the workpiece as the saw is restarted.

Support large panels to minimise the risk of blade pinching and kickback. Large panels tend to sag under their own weight. Supports must be placed under the panel on both sides, near the line of cut and near the edge of the panel.

Do not use dull or damaged blades. Unsharpened or improperly set blades produce narrow kerf causing excessive friction, blade binding and kickback.

Blade depth and bevel adjusting locking levers must be tight and secure before making the cut. If blade adjustment shifts while cutting, it may cause binding and kickback.

Use extra caution when sawing into existing walls or other blind areas. The protruding blade may cut objects that can cause kickback.

LOWER GUARD FUNCTION

Check the lower guard for proper closing before each use. Do not operate the saw if the lower guard does not move freely and close instantly. Never clamp or tie the lower guard into the open position. If the saw is accidentally dropped, the lower guard may be bent. Raise the lower guard with the retracting handle and make sure it moves freely and does not touch the blade or any other part, in all angles and depths of cut.

Check the operation of the lower guard spring. If the guard and the spring are not operating properly, they must be serviced before use. Lower guard may operate sluggishly due to damaged parts, gummy deposits, or a build-up of debris.

The lower guard may be retracted manually only for special cuts such as "plunge cuts" and "compound cuts". Raise the lower guard by the retracting handle and as soon as the blade enters the material, the lower guard must be released. For all other sawing, the lower guard should operate automatically.

Always observe that the lower guard is covering the blade before placing the saw down on bench or floor. An unprotected, coasting blade will cause the saw to walk backwards, cutting whatever is in its path. Be aware of the time it takes for the blade to stop after switch is released.

ADDITIONAL SAFETY AND WORKING INSTRUCTIONS

Wear ear protectors. Exposure to noise can cause hearing loss.

Use protective equipment. Always wear safety glasses when working with the product. Wear protective clothing, such as dust mask, protective gloves, sturdy non-slip footwear, helmet, and ear defenders.

The dust produced when using the product may be harmful to health. Do not inhale the dust. Use a dust absorption system and wear a suitable dust protection mask. Remove deposited dust thoroughly, e.g., with a vacuum cleaner.

Do not use saw blades not corresponding to the key data given in these instructions for use.

Select a saw blade that is suitable for the material being cut.

Use only metalworking blades specified in this manual.

The rated speed of the accessory must be at least equal to the maximum speed marked on the product. Accessories running faster than their rated speed can break and fly apart.

Do not use abrasion disks in the product.

If the saw blade cover is cracked or broken, it must be replaced immediately by an authorised service centre. The product must not be operated if the saw blade cover is defective or missing.

Do not fix the on/off switch while using the product hand-held.

Remove the battery pack before starting any work on the product.

Do not dispose of used battery packs in the household refuse or by burning them. MILWAUKEE distributors offer to retrieve old batteries to protect our environment.

Do not store the battery pack together with metal objects (short circuit risk).

Use only M18 System chargers for charging M18 System battery packs. Do not use battery packs from other systems.

Never break open battery packs and chargers, and store them only in dry rooms. Keep battery packs and chargers dry at all times.

Battery acid may leak from damaged batteries under extreme load or extreme temperatures. In case of contact with battery acid, wash it off immediately with soap and water. In case of eye contact, rinse thoroughly for at least 10 minutes and immediately seek medical attention.

Warning! To reduce the risk of fire, personal injury, and product damage due to a short circuit, never immerse your product, battery pack or charger in fluid or allow fluid to flow inside them. Corrosive or conductive fluids, such as seawater, certain industrial chemicals, and bleach or bleach-containing products, etc., can cause a short circuit.

WARNING! Never operate the product when the guards and chip container are not installed. Serious injury may occur.

To reduce the risk of injury, wear safety goggles or glasses with side shields when removing the chip container. Chips and debris may fly up into the face.

WORKING INSTRUCTIONS

Adapt to the feed speed to avoid overheating the blade tips.

SPECIFIED CONDITIONS OF USE

The metal saw may be used to cut lengthways and mitre a variety of metals, such as metal profiles (UNISTRUT), pipes, metal studs, channels, aluminium profiles, metal sheets, etc.

Do not use the product for any other purpose.

OVERLOAD PROTECTION

The overload protector automatically turns off the product when the motor is overloaded. The product can become overloaded when using a dull blade or cutting materials too quickly, or cutting hard metals such as stainless steel. To prevent the overload protector from activating, always use a sharp blade. Do not attempt to override the overload protector.

If the product turns off automatically:

1. Release the trigger and remove the battery pack.
2. Remove the blade from the workpiece.
3. Allow the product to rest for a minimum of 2 min.
4. Allow the product to run under no load to ensure that the product has properly cooled.
5. Resume the cut. When restarting a saw in the workpiece, center the saw blade in the kerf or cut, and check that the saw teeth are not engaged into the material. If the saw blade is binding, it may walk up or kickback from the workpiece as the saw is restarted.

ELECTRIC BRAKE

The electric brake engages when the trigger is released, causing the blade to stop and allowing you to proceed with your work. Generally, the saw blade stops within 2 seconds. However, there may be a delay between the time you release the trigger and when the brake engages. Occasionally, the brake may miss completely. If the brake misses frequently, the saw needs servicing by an authorised MILWAUKEE service facility. Always wait for the blade to stop completely before removing the saw from the workpiece.

BATTERIES

Battery packs that have not been used for some time should be recharged before use.

Temperatures in excess of 50°C (122°F) reduce the performance of the battery pack. Avoid extended exposure to heat or sunshine (risk of overheating).

The contacts of chargers and battery packs must be kept clean.

For an optimum lifetime, the battery packs have to be fully charged after use.

To obtain the longest possible battery life, remove the battery pack from the charger after it is fully charged.

For battery pack storage longer than 30 days:

- Store the battery pack where the temperature is below 27°C and away from moisture.
- Store the battery packs in a 30% – 50% charged condition.
- Every six months of storage, charge the pack as normal.

BATTERY PACK PROTECTION

In extremely high torque, binding, stalling, and short circuit situations that cause high current draw, the product stops for about 2 seconds, and then the product turns off. To reset, release the trigger.

Under extreme circumstances, the internal temperature of the battery could become too high. If this happens, the battery shuts down. Charge the battery and reset it.

TRANSPORTING LITHIUM BATTERIES

Lithium-ion batteries are subject to the Dangerous Goods Legislation requirements.

Transportation of those batteries must be done in accordance with local, national, and international provisions and regulations.

- Batteries can be transported by road without further requirements.
- Commercial transport of lithium-ion batteries by third parties is subject to Dangerous Goods Regulations. Transport preparation and transport are exclusively to be carried out by appropriately trained persons and the process has to be accompanied by corresponding experts.

When transporting batteries:

- Ensure that battery contact terminals are protected and insulated to prevent short circuit.
- Ensure that the battery pack is secured against movement within packaging.
- Do not transport batteries that are cracked or leaking.

Check with the forwarding company for further advice.

MAINTENANCE

The ventilation slots of the product must be kept clear at all times.

Be sure to disconnect the product from the power supply before attaching or removing the saw blade.

Clean the product and guarding system with dry cloth. Certain cleaning agents and solvents are harmful to plastics and other insulated parts. Keep the product handle clean, dry, and free of spill oil or grease. Check the function of the guards. Regular maintenance and cleaning provides for a long service life and safe handling.

Remove dust regularly. Remove the sawdust that has accumulated inside the saw to avoid the risk of fire.

Use only MILWAUKEE accessories and MILWAUKEE spare parts. Should components that have not been described need to be replaced, contact one of our MILWAUKEE service agents (see our list of guarantee/service addresses).

If needed, an exploded view of the product can be ordered. State the product type and the serial number on the label, and order the drawing at your local service centre.

SYMBOLS



CAUTION! WARNING! DANGER!



Remove the battery pack before starting any work on the product.



Read the instructions carefully before starting the product.



Wear gloves.



Wear ear protectors.



Always wear goggles when using the product.



Wear a suitable dust protection mask.



Accessory - Not included in standard equipment; available as an accessory.



Do not dispose of electric tools, batteries or rechargeable batteries together with household waste material. Electric tools and batteries that have reached the end of their life must be collected separately and returned to an environmentally compatible recycling facility. Check with your local authority or retailer for recycling advice and collection point.

n_0

No-load speed

V

Volts



Direct current



Rotation direction

無負載轉速	4000/min
鋸片直徑x內徑	203 x 15.87 mm
鋸片厚度	1.8 mm
齒數	42
最大切割深度	66 mm
最大切割容量	
鋼片	25 mm
角鐵	63.5 x 63.5 x 6.35 mm
金屬管	ø 50 mm
截面	66 mm
鋼釘	2.5 mm
電池電壓	18 V
重量（不含電池）	6.0 kg
根據EPTA-Procedure 01/2014的重量（2.0 Ah - 12.0 Ah）	6.4 kg - 7.5 kg
建議環境操作溫度	-18 ° C - +50 ° C
推薦的電池類型	M18B, M18 HB
推薦充電器	M12-18C, M12-18FC, M12-18AC, M12-18C3

噪音/振動資訊

依 EN 62841 所測的測量值。

A加權聲壓值	97.2 dB (A)
不確定性的測量 K	3 dB (A)
A加權聲壓量測	108.2 dB (A)
不確定性的測量 K	3 dB (A)

佩戴護耳器。

根據EN 62841所測的振動總值（三軸向量總和）。

振動釋放值 a_h	
金屬鋸切	1.1 m/s ²
不確定性的測量 K	1.5 m/s ²

警告！

本說明書所提供的振動等級是依EN 62841 規定的標準化測試所測得，且可能用於與另一個工具進行比較。該等級可用來初步評估風險。

宣告的振動釋放等級代表的是本工具的主要應用。然而，如果用於不同的應用、使用不同的配件或保養不當，振動釋放也可能不同。這可能會在總工作時間上顯著增加風險等級。

評估振動暴露的等級還應考慮本工具關機時的時間，或當工具運轉但卻未實際使用的時間。這可能會明顯降低總工作期間的風險等級。

請確認額外的安全措施，以保護操作員不受振動的影響，例如：保養本工具與配件、保持手部溫暖和井然有序的工作方式。

⚠ 警告！ 閱讀此電動工具提供的所有安全警告、說明、插圖和說明。若不按照說明操作，則可能會導致電擊、火災和/或嚴重傷害。

將所有警告和說明保存好，方便以後查閱。

⚠ 電圓鋸安全警告

切割程序

⚠ 危險： 雙手遠離切割區域及刀片。將您另一只手放在輔助

手柄或電機外殼上。如果雙手握住圓鋸，便不會被刀片切割。切勿將手伸到工件下方。在工件的下方，保護罩無法保護您不觸碰刀片。

根據工件的厚度調整切割深度。深度不得超過工件下方一個鋸齒的位置。

切勿以雙手握著工作或將工件放在腿上。將工件固定在一個穩定的平台上。正確地支撐工件是十分重要，有助減少身體暴露、刀片卡住或者失控。

當作業時動切割機可能接觸隱藏的接線或自己的電線時，只能握住電動工具的絕緣抓面。切割配件接觸火線可能會導致電動工具裸露的金屬部分帶電，可能會導致操作人員觸電。

當撕出時，務必使用籬笆或直邊導軌。此有助於提高了切割的精確度，並降低了刀片卡住的機會。

務必使用配有正確尺寸及形狀（鑽石形對圓形）桿孔的刀片。與圓鋸的安裝硬件不配的鋸片將偏離中心，並會導致失控。

切勿使用損壞或不正確的刀片墊圈或螺栓。刀片墊圈和螺栓是為您的電圓鋸所專用，以獲得最佳性能和操作安全性。

反彈原因和相關警告

- 反彈是鋸片收縮、卡住或無對準的鋸片所產生的反作用力，導致失控的圓鋸抬起以及離開工件，並飛向操作者：

- 當刀片受壓縮或卡滯在鋸痕上，刀片會停止，及電機的反作用力驅使產品迅速地向操作者反彈；

- 如果刀片在切割中變得扭曲或錯位，則鋸片後的齒緣可能刺入木材的頂面，導致刀片脫離，並且向操作者反彈。

反彈因錯誤使用電圓鋸及/或錯誤的操作過程或環境而造成。執行以下適當的預防措施以避免發生：

以雙手握緊電圓鋸，調整手臂位置以抵抗反彈的阻力。身體可以處於鋸片的任何一方，但不能跟鋸片形成一直線。反彈可導致電圓鋸向後跳出。但如果採取適當的預防措施，反沖力則可由操作者控制。

當鋸片卡滯或因任何原因而中斷切割時，釋放扳機，將握著物料的電圓鋸維持不動，直至鋸片完全停止。當鋸片運作中，切勿嘗試從材料中取出鋸，或將電圓鋸拉向後，否則可能發生反彈。調查並採取修正措施，以避免鋸片卡滯。

在工件中重新啟動電圓鋸，將鋸片放在切口的中間，使鋸齒不會跟物料接合。當鋸片卡滯或因任何原因而中斷切割時，釋放扳機，將握著物料的電圓鋸維持不動，直至鋸片完全停止。

使用大的面板，以盡量減低刀片夾緊及反彈的風險。大面板因自身的重量而下垂。支撐件必須置於大面板下面的兩側，接近切割線及面板邊緣。

不要使用鈍的或損壞的刀片。鈍的刀片或不正確地設置刀片產生狹窄的切口，導致過度摩擦、刀片卡滯及反彈。

切割前，刀片深度鎖定桿及斜調整鎖定桿必須要擰緊。如果刀片在切割時偏移，則可能導致卡及反彈。

當在現有的牆壁或其他隱蔽的區域進行鋸切時必須格外小心。突出的刀片可能會切割可能導致反彈的物體。

下護蓋功能

每次使用前請檢查下護蓋是否正確地關閉。如果下護蓋不能夠自由地移動及立刻關閉，切勿操作電圓鋸。切勿將下護蓋夾緊或捆紮到開放的位置。如果電圓鋸意外地掉落，下護蓋可能會彎曲。使用縮回把手升起下護蓋及確保它可以在所有切割的角度及深度自由地移動，並不會接觸到刀片或其他部件。

檢查下護蓋彈簧的操作。如果防護罩及彈簧不能正常地運作，必須在使用前進行維修。下護罩可能因損壞的部件、膠質沉積物或積聚的碎屑而操作緩慢。

在「切入式切割」及「複合式切割」等特殊切割操作時，下護罩可能自行縮回。使用縮回手柄以提升下護罩，一旦刀片進入物料時，必須釋放下護罩。在其他切割操作下，下護罩應該自動地操作。

在將電圓鋸放在工作桌或地板前，務必觀察下護罩是否遮蓋刀片。無保護、滑行的刀片將導致電圓鋸後溜，並且切割在路徑上的所有東西。注意開關釋放後，刀片停止所需的時間。

其他安全和工作說明

佩戴耳罩。暴露在噪聲中可能會導致聽力受損。

使用防護裝備。在使用本產品時，務必佩戴安全眼鏡。建議穿

戴防護裝備，例如防塵罩、防護手套、堅固防滑的鞋具、安全帽和護耳器。

使用本產品時，產生的塵埃可能健康有害。切勿吸入粉塵。使用吸塵系統，並要戴上合適的防塵口罩。徹底清除沉積的灰塵（如吸塵機）。

請勿使用與說明書中所列參數不符的鋸片。

選擇適合切割材料的鋸片是非常重要的。

僅使用本手冊中指定的金屬加工刀片。

配件的額定速度必須至少等於電動工具上標記的最大速度。運行速度超過額定速度的配件可能會斷裂並飛散。

不要在本產品上使用磨損的盤。

如果鋸片蓋破裂或斷裂，則必須立即由授權的維修中心進行更換。如果鋸片蓋有缺陷或缺失，則不得操作該產品。

當手持電圓鋸時，切勿固定開關鍵的位置。

在產品上開始任何工作之前，請先取出電池組。

勿將用過的電池組與家庭廢棄物混合或燃燒電池。MILWAUKEE 經銷商提供舊電池回收，以保護我們的環境。

勿將電池組與其他金屬物品一起存放（可能引起短路）。

僅可使用M18系統充電器對M18系統電池進行充電。請勿使用其他系統的電池。

不可拆開電池和充電器。電池和充電器必須儲藏在乾燥的空間，勿讓濕氣滲入。必須經常保持乾燥。

在極端負載或極端溫度下，損壞的電池可能漏出內部酸液。若碰觸到電池酸液，請即刻用肥皂與清水洗去。若酸液接觸到眼睛，以清水沖洗至少10分鐘後立即就醫。

警告！未安裝防護罩和切屑容器時，切勿操作產品。可能會造成嚴重傷害。

為了減少受傷的危險，在卸下切屑盒時，請戴上安全眼鏡或帶有側罩的眼鏡。碎屑和碎片可能會飛到臉上。

附加電池安全警告

⚠ 警告！為了減少因短路而導致火災、人身傷害和產品損壞的風險，請勿將產品、電池組或充電器浸沒在液體中或使液體流入其中。腐蝕性或導電性液體（如海水、某些工業化學品、以及漂白劑或含漂白劑的產品等）都會導致短路。

工作指示

適應進給速度，以避免刀片尖端過熱。

特定使用條件

金屬鋸片可以用作縱向地切割及斜切各種金屬，如金屬型材（UniStrut）、管道、金屬螺栓、通道、鉛型材、金屬片等。

切勿將本產品用於正常使用之外的其他用途。

過載保護

電機過載時，過載保護器會自動關閉產品。當使用鈍刀片或過快地切割材料或切割堅硬的金屬（例如不銹鋼）時，產品可能會過載。為了防止過載保護器啟動，請始終使用鋒利的刀片。請勿嘗試覆蓋過載保護器。

如果產品自動關閉：

1. 釋放扳機並取出電池組。
2. 從工件上卸下刀片。
3. 讓產品靜置至少2分鐘。
4. 讓產品空載運行，以確保產品已正確冷卻。
5. 恢復剪切。重新開始鋸切工件時，將鋸片放在切縫或切割的中央，並且檢查鋸齒是否已插入材料中。如果鋸片被綁住，當產品重啟時，鋸片可能從工件中滑動或反彈。

當觸發器被釋放時，電動制動器接合，導致刀片停止並允許您繼續工作。一般而言，鋸片於2秒內停止。然而，可能因鬆開扳機及製動器嚙合而延遲。有時制動器可能完全錯過。如果制動器經常錯過，產品需要由授權的MILWAUKEE服務機構進行維修。在從工件上取下鋸片之前，必須始終等待鋸片完全停止。

電池

久未使用的電池必須重新充電後再使用。
 超過50°C (122°F) 的高溫會降低電池的效能。避免暴露於高溫或陽光下(可能導致過熱)。
 充電器和電池組的接點處應保持清潔。
 為確保最佳電池使用壽命，電池組使用後應再完全充電。
 為確保電池的最長壽命，充電完成後，勿將電池匣繼續留在充電器上。

- 電池儲存時間長於30日：
- 將電池組存放於溫度低於27°C的環境，且避免受潮；
 - 將電池組保持在充電量30%-50%的狀態；
 - 存放中的電池組應每六個月照常充電一次。

電池保護

在極高的扭矩、約束、失速和短路情況下，導致大電流消耗，工具將停止約2秒鐘，然後工具將關閉。如要重置，鬆開扳機。
 在極端情況下，電池組內部的溫度可能過高。在極端情況下，電池組內部的溫度可能過高。為電池組充電並將其重置。

運轉鋰電池

鋰離子電池須受制於危險品法例的要求。
 運送鋰電池必須在符合當地、國家及國際標準及法例的情況下進行。

- 使用者可於陸地上運送電池而毋須受限。
- 第三方負責的商業式鋰電池運送須受制於危險品法例。運送的預備及過程必須由受嚴格訓練的人士進行，亦必須得到專家在場監管。

- 運送電池時：
- 請確保電池接觸終端受到嚴密保護及經過絕緣，防止短路；
 - 請確保電池組妥善包裝，防止碰撞磨擦；
 - 切勿運送有裂痕或洩漏中的電池。

與速遞公司緊密聯繫以獲得進一步資訊。











維護

本產品的通風孔必須時刻保持暢通。
 安裝或拆卸鋸片前，確定已中斷產品跟電源的連接。
 用乾布清潔產品和防護系統。某些清潔劑和溶劑對塑料和其他絕緣部件有損害。保持把手清潔、乾及沒有溢出的油或潤滑油。檢查保護罩的功能。定期維護及清潔能夠使長的產品壽命及安全的處理。

定期清除灰塵。清除積聚在電園鋸裡面的鋸屑，以免發生火災。

只能使用MILWAUKEE配件和備件。只能使用MILWAUKEE配件和備件。如果需要更換的組件在此沒有介紹，請與其中一個MILWAUKEE服務代理機構聯繫（參見我們的維修/服務地址列表）。

如果需要，可以索取產品的分解圖。索件時，請您向顧客服務中心提供以下資料：機器銘牌上的產品號碼及機型。

-  注意！警告！危險！
-  在產品上開始任何工作之前，請先取出電池組。
-  啟動機器前，請仔細閱讀本說明書。
-  佩戴手套。
-  佩戴護耳器。
-  使用本產品時務必佩戴護目鏡。
-  戴上適當的防塵罩。
-  配件-不包在標配設備中，可作為配件供應。
-  勿將用過的電動工具、電池/充電電池與家庭廢棄物混合。當電動工具和電池達到使用壽命時，必須單獨收集，並送至環保回收機構。請與當地相關部門或經銷商聯繫，了解回收建議和收集地點。
- n_0 無負載轉速
- V 伏特
-  直流電
-  旋轉方向

无负载转速	4000/min
锯片直径 x 内径	203 x 15.87 mm
锯片厚度	1.8 mm
锯片齿数	42
最大切割深度	66 mm
最大切割能力	
钢板	25 mm
角铁	63.5 x 63.5 x 6.35 mm
金属管	∅ 50 mm
型材	66 mm
钢钉	2.5 mm
电池电压	18 V
重量 (不含電池)	6.0 kg
根据EPTA-Procedure 01/2014的重量(2.0 Ah - 12.0 Ah)	6.4 kg - 7.5 kg
建议环境温度	-18 ° C - +50 ° C
推荐的电池类型	M18B, M18 HB
推荐充电器	M12-18C, M12-18FC, M12-18AC, M12-18C3

噪音/振动信息

根据EN 62841 条文确定的测量值。

A加权声压值	97.2 dB(A)
不确定性的测量 K	3 dB (A)
A加权声功率值	108.2 dB(A)
不确定性的测量 K	3 dB (A)

佩戴护耳器。

依欧盟EN 62841 标准确定的振动总值 (三方向矢量和)。

振动值 a_h	
金属锯切	1.1 m/s ²
不确定性的测量 K	1.5 m/s ²

警告！

本规程列出的依欧盟EN62841标准测量方法测量的振动级也可用于电动工具比较并适合于临时振动负荷估计。该等级可用来初步评估风险。

该振动级代表电动工具的主要应用。电动工具的其他应用，不正确的工具附件或缺乏维护可造成振动级偏差。此可明显提高工作期间的振动程度。

正确地估计一定工作期间的振动程度也要考虑到工具关闭或接通而不使用的期间。此可明确减少总工作期间的振动程度。

为提高操作人员对振动作用的保护得规定补充安全措施：电动工具及工具附件的维护、温手、工作过程组织等

⚠ 警告！ 阅读本设备随附的所有安全警告、说明、插图和规格。不遵照以下说明会导致电击、着火和/或严重伤害。

保存所有警告和说明书以备查阅。

⚠ 电圆锯安全警告

切割程序

⚠ 危险：双手远离切割区域及刀片。将您另一只手放在辅助手柄或电机外壳上。如果双手握住圆锯，便不会被刀片切割。

切勿将手伸到工件下方。在工件的下方，保护罩无法保护您不触碰到刀片。

根据工件的厚度调整切割深度。深度不得超过工件下方一个锯齿的位置。

切勿将工件握在手中或在腿上进行切割。将工件固定在一个稳定的平台上。正确地支撑工件是十分重要，有助减少身体暴露、刀片卡住或者失控。

当作业时切割附件可能接触隐藏的接线或自己的电线时，只能握住电动工具的绝缘抓面。切割附件接触火线可能会导致电动工具裸露的金属部分带电，可能会导致操作人员触电。

切割时，请使用篱笆或直边导轨。此有助提高了切割的精确度，并降低了刀片卡住的机会。

务必使用配有正确尺寸及形状（钻石形对圆形）杆孔的刀片。与圆锯的安装硬件不配的锯片将偏离中心，并会导致失控。

切勿使用损坏或不正确的刀片垫圈或螺栓。刀片垫圈和螺栓是为您电圆锯所专用，以获得最佳性能和操作安全性。

反弹原因和相关警告

- 反弹是转轮、砂轮带、刚刷或其他配件因受挤压或阻碍而起的瞬间反应；

- 当刀片受压缩或卡滞于锯痕上，刀片会停止，及电机的反作用力驱使产品迅速地向操作者反弹；

- 如果刀片在切割中变得扭曲或错位，则锯片后的齿缘可能刺入木材的顶面，导致刀片脱离，并且向操作者反弹。

反弹因错误使用电圆锯及/或错误的操作过程或环境而造成。执行以下适当的预防措施以避免发生：

以双手握紧电圆锯，调整手臂位置以抵抗反弹的阻力。身体可以处于锯片的任何一方，但不能跟锯片形成一直线。反弹可导致电圆锯向后跳出。但如果采取适当的预防措施，反冲力则可由操作者控制。

当锯片卡滞或因任何原因而中断切割时，释放扳机，将握着物料的电圆锯维持不动，直至锯片完全停止。切勿尝试工作中移电圆锯；或当锯片运作中，将电圆锯拉向后；否则可能发生反弹。调查并采取纠正措施，以避免锯片卡滞。

在工作中重新启动电圆锯，将锯片放在切口的中间，使锯齿不会跟物料接合。如果锯片卡滞，当电圆锯重新启动时，锯片可能从工作中走上前或反弹。

使用大的面板，以尽量减低刀片夹紧及反弹的风险。大面板因自身的重量而下垂。支撑件必须置于大面板下面的两侧，接近切割线及面板边缘。

不要使用钝的或损坏的刀片。钝的刀片或不正确地设置刀片产生狭窄的切口，导致过度摩擦，刀片卡滞及反弹。

切割前，刀片深度锁定杆及斜调整锁定杆必须要拧紧。如果刀片在切割时偏移，则可能导致卡及反弹。

当在现有的墙壁或其他隐蔽的区域进行锯切时必须格外小心。突出的刀片可能会切割可能导致反弹的物体。

下护盖功能

每次使用前请检查下护盖是否正确地关闭。如果下护盖不能够自由地移动到立刻关闭，切勿操作电圆锯。切勿将下护盖夹紧或捆扎到开放的位置。如果电圆锯意外地掉落，下护盖可能会弯曲。使用缩回把手升起下护盖并确保它可以在所有切割的角度及深度自由地移动，并不会接触到刀片或其他部件。

检查下护盖弹簧的操作。如果防护罩及弹簧不能正常地运作，必须在使用前进行维修。下护罩可能因损坏的部件，胶质沉积物或积聚的碎片而操作缓慢。

在「切入式切割」及「复合式切割」等特殊切割操作时，下护罩可能自行缩回。使用缩回手柄以提升下护罩，一旦刀片进入物料时，必须释放下护罩。在其他切割操作下，下护罩应该自动地操作。

在将电圆锯放在工作桌或地板上，务必观察下护罩是否遮盖刀片。无保护、滑行的刀片将导致电圆锯后溜，并且切割在路径上的所有东西。注意开关释放后，刀片停止所需的时间。

其他安全和工作说明

佩戴耳罩。暴露在噪声中可能会导致听力受损。

使用防护装备。在使用本产品时，务必佩戴安全眼镜。在使用本产品时，务必佩戴安全眼镜。建议穿戴防护装备，例如防尘罩、防护手套、结实的防滑鞋、安全帽和护耳器

使用本产品时，产生的尘埃可能健康有害。切勿吸入粉尘。使

用吸尘系统，并要戴上合适的防尘口罩。彻底清除沉积的灰尘（如吸尘机）。

不要使用不符合本使用说明所规定之关键数据的锯条。

选择适合切割材料的锯片是非常重要的。

仅使用本手册中指定的金属加工刀片。

配件的额定速度必须至少等于电动工具上标记的最大速度。运行速度超过额定速度的配件可能会断裂并飞散。

不要在本产品上使用磨损的盘。

如果锯片盖破裂或断裂，则必须立即由授权的维修中心进行更换。如果锯片盖有缺陷或缺失，则不得操作该产品。

当手持电圆锯时，切勿固定开关键的位置。

在产品上开始任何工作之前，请先取出电池组。

用过的电池组不可以丢入火中或一般的家庭垃圾中。美沃奇经销商提供旧电池回收，以保护我们的环境。

电池组不可以和金属物品存放在一起（可能产生短路）。

M18系列的电池组只能和M18系列的充电器配合使用。不可以使用其他系列的电池。

不可拆开电池和充电器。电池和充电器必须储藏在干燥的空间，勿让湿气渗入。

在过度超荷或极端的温度下，可能从损坏的电池组中流出液体。如果触摸了此液体，必须马上使用肥皂和大量清水冲洗。如果此类液体侵入眼睛，马上用清水彻底清洗眼睛（至少冲洗10分钟），接着即刻就医治疗。

警告！未安装防护罩和切屑容器时，切勿操作产品。可能会导致严重伤害。

为了减少受伤的危险，在卸下切屑盒时，请戴上安全眼镜或带有侧罩的眼镜。碎屑和碎片可能会飞到脸上。

附加电池安全警告

⚠ 警告！ 为了减少因短路而导致火灾、人身伤害和产品损坏的风险，请勿将工具、电池组或充电器浸没在流体中或使流体流入其中。腐蚀性或导电性流体（如海水、某些工业化学品、以及漂白剂或含漂白剂的产品等）都会导致短路。

工作指示

适应进给速度，以避免刀片尖端过热。

特定使用条件

金属锯片可以用作纵向地切割及斜切各种金属，如金属型材（UniStrut）、管道、金属螺栓、通道、铝型材、金属片等。切勿将本产品用于正常使用之外的其他用途。

过载保护

电机过载时，过载保护器会自动关闭产品。当使用钝刀片或过快地切割材料或切割坚硬的金属（例如不锈钢）时，产品可能会过载。为了防止过载保护器启动，请始终使用锋利的刀片。请勿尝试覆盖过载保护器。

如果产品自动关闭：

1. 释放扳机并取出电池组。
2. 从工件上卸下刀片。
3. 让产品静置至少2分钟。
4. 让产品空载运行，以确保产品已正确冷却。
5. 恢复剪切。重新开始锯切工件时，将锯片放在切缝或切割的中央，并且检查锯齿是否已插入材料中。如果锯片被绑住，当产品重启时，锯片可能从工件中滑动或反弹。

当触发器被释放时，电动制动器接合，导致刀片停止并允许您继续工作。一般而言，锯片于2秒内停止。然而，可能因松开扳机及制动器啮合而延迟。有时制动器可能完全错过。如果制动器经常错过，产品需要由授权的美沃奇服务机构进行维修。在从工件上取下锯片之前，必须始终等待锯片完全停止。

电池

长期储放的电池必须先充电再使用。

超过50° C (122° F) 的高温会降低电池的效能。避免暴露于高温或阳光下 (可能导致过热)。

充电器和电池组的接点处应保持清洁。

为确保最佳电池使用寿命，电池组使用后应再完全充电。

为确保电池的最长寿命，充电完成后，勿将电池继续留在充电器上。

电池储存时间大于30日：

- 将电池组存放于温度低于27° C 的环境，且避免受潮；
- 将电池组保持在充电量30%-50%的状态；
- 存放中的电池组应每六个月照常充电一次。

电池保护

在极高的扭矩，约束，失速和短路情况下，导致大电流消耗，产品将停止约2秒钟，然后产品将关闭。如要重置，松开扳机。在极端情况下，电池组内部的温度可能过高。如果发生这种情况，电池将关闭。将电池放在充电器上，以充电和重置。

在极端情况下，电池组内部的温度可能过高。如果发生这种情况，电池将关闭。为电池组充电并将其重置。

运输锂电池

锂离子电池须受制于危险品法例的要求。

运送锂电池必须在符合当地、国家及国际标准及法例的情况下进行。

- 使用者可于陆地上运送电池而毋须受限。
- 第三方负责的商业式锂电池运送须受制于危险品法例。运送的预备及过程必须由受严格训练的人士进行，亦必须得到专家在场监管。

运送电池时：

- 请确保电池接触终端受到严密保护及经过绝缘，防止短路；
- 请确保电池组妥善包装，防止碰撞摩擦；
- 切勿运送有裂痕或泄漏中的电池。

与速递公司紧密联系以获得进一步资讯。

维护

本产品的通风孔必须时刻保持畅通。

安装或拆卸锯片前，确定已中断产品跟电源的连接。

用干布清洁产品和防护系统。某些清洁剂和溶剂对塑料和其他绝缘部件有损害。保持把手清洁、干及没有溢出的油或润滑油。检查保护罩的功能。定期维护及清洁能够使长的产品寿命及安全的处理。

定期清除灰尘。清除积聚在电圆锯里面的锯屑，以免发生火灾。

只能使用美沃奇附件和备件。如果需要更换未描述的组件，请联系我们的美沃奇服务代理（请参阅我们的认可/维修的地址列表）。

如果需要，可以索取产品的分解图。在标签上注明产品类型和序列号，然后在当地服务中心订购图纸。



注意！警告！危险！



在产品上开始任何工作之前，请先取出电池组。



启动机器前，请仔细阅读本说明书。



佩戴手套。



佩戴护耳器。



使用本产品时务必佩戴护目镜。



使用吸尘系统，并要戴上合适的防尘口罩。



附件-不包在标配设备中，可作为附件供应。



勿将用过的电动工具、电池/充电电池与家庭废弃物混合。当电动工具和电池达到使用寿命时，必须单独收集，并送至环保回收机构。请与当地相关部门或经销商联系，了解回收建议和收集地点。

n_0

无负载转速

V

伏特



直流电



旋转方向

무부하 속도	4000/min
톱날 직경 x 구멍 직경	203 x 15.87 mm
톱날 두께	1.8 mm
블레이드 톱니	42
최대 절단 깊이	66 mm
최대절단 용량	
강철 플레이트	25 mm
앵글 아이언	63.5 x 63.5 x 6.35 mm
금속 배관	∅ 50 mm
섹션	66 mm
강철 스테드	2.5 mm
배터리 전압	18 V
중량(리튬-이온 배터리 제외)	6.0 kg
EPTA 규정 01/2014에 따른 중량(리튬-이온 2.0 Ah / 12.0 Ah)	6.4 kg - 7.5 kg
권장 주변 작동 온도	-18 °C - +50 °C
권장 배터리 팩	M18B, M18 HB
권장 충전기	M12-18C, M12-18FC, M12-18AC, M12-18C3

소음/진동 정보

EN 62841에 따라 판별한 측정 값.

가중치 음압 레벨	97.2 dB(A)
불확정성 K	3 dB (A)
가중치 음향 파워 레벨	108.2 dB(A)
불확정성 K	3 dB (A)

귀마개를 착용하십시오!

EN 62841에 따라 판별한 전체 진동 값(3개 축의 벡터 합계).

진동 방출 값 a_h	
금속 톱질하기	1.1 m/s ²
불확정성 K	1.5 m/s ²

경고!

이 정보 시트에 주어진 진동 및 소음 수준은 EN 62841에 제시되어 있는 표준화된 시험 방법에 따라 측정된 것으로, 공구 간 비교에 사용할 수 있습니다. 예비 노출 평가에 이를 사용할 수도 있습니다.

여기에 표시된 진동 및 소음 방출 수준은 공구를 주 용도로 사용하면서 발생하는 수준을 나타냅니다. 하지만 공구를 다른 용도로 사용하거나, 다른 부속품과 함께 사용하거나, 부실하게 유지보수할 경우에는 진동 및 소음 방출 수준이 달라질 수 있습니다. 이는 전체 작동 시간 동안 노출 레벨을 상당히 증가시킬 수 있습니다.

진동 및 소음에 대한 노출 수준 추정에는 공구의 전원을 꺼둔 시간이나 공구를 가동하고는 있지만 실제로 작업에 사용하지는 않는 시간도 고려해야 합니다. 이는 전체 작동 시간 동안 노출 레벨을 상당히 감소시킬 수 있습니다.

공구와 부속품의 유지보수, 손을 따뜻하게 유지하는 조치, 작업 패턴의 구성과 같이, 진동 및/또는 소음의 영향으로부터 작업자를 보호하기 위한 추가적인 안전 대책을 파악합니다.

⚠ 경고! 제품과 함께 제공된 안전 경고 문구, 설명서, 도해 및 사양을 모두 읽으십시오. 아래의 지침을 따르지 않으면 전기 충격, 화재 및 중대한 부상을 초래할 수 있습니다.

항후 참조할 수 있도록 경고 문구와 설명서를 잘 보관해 두십시오.

⚠ 원형 전기톱 안전 경고

절단 절차

⚠ 위험! 절단 부위와 블레이드로부터 손을 멀리두십시오. 보조 손잡이 또는 모터 하우징에 두 번째 손을 두십시오. 양 손으로 전기톱을 잡고 있으면 블레이드로 절단할 수 없습니다. 작업편 아래까지 도달하지 마십시오. 가드 장치는 작업편 아래의 블레이드로부터 작업자를 보호할 수 없습니다.

절단 깊이를 작업편 두께로 조절하십시오. 적어도 작업편 아래에서 블레이드 톱니의 일부가 보여야 합니다.

절단 중에는 손이나 다리 위에 작업편을 두지 마십시오.

작업편을 안정된 플랫폼에 고정합니다. 신체 노출, 블레이드 결속 또는 제어력 상실을 최소화하기 위해 작업을 적절히 수행하는 것이 중요합니다.

절단 공구가 보이지 않는 배선과 접촉할 수 있는 장소에서 작업을 수행할 때 절단 크기 표면을 통해 전동 공구를 조심스럽게 절단 부품을 "전기가 흐르는" 전선에 닿으면 전동 공구의 노출된 금속 부품에 "전기가 흘러" 작업자가 감전될 수 있습니다.

리핑 작업 시, 항상 립 펜스나 직선 었지 가이드를 사용하십시오. 이렇게하면 절단 정확성이 향상되고 블레이드 결속 가능성이 줄어듭니다.

적절한 크기와 모양(다이아몬드 모양과 원형)의 아바 구멍이 있는 블레이드를 항상 사용하십시오. 톱날의 장착 하드웨어와 맞지 않는 블레이드는 중심에서 벗어나 제어력을 상실할 수 있습니다.

손상되거나 잘못된 블레이드 외서 또는 볼트는 사용하지 마십시오. 블레이드 외서 및 볼트는 최적의 성능과 작동 안전을 위해 전기톱에 맞게 특별히 설계되었습니다.

킥백 - 원인 및 관련 경고

- 킥백은 조여지거나 구부러지거나 잘못 정렬된 톱날에 갑작스런 반응을 일으키므로 제어되지 않은 톱이 위로 들어올려져 작업편이 빠져나와 작업자 방향으로 향합니다.

- 커프를 아래로 향하게 하여 블레이드를 확실하게 조이거나 결합하면 블레이드가 정지하고 모터 반응으로 인해 장치가 운전자 방향으로 빠르게 이동합니다.

- 절단면에서 블레이드가 꼬이거나 잘못 정렬되면 블레이드의 뒤쪽 가장자리에 있는 톱니가 금속의 상단 표면을 파헤쳐 블레이드가 커프에서 나와 작업자 방향으로 다시 튀어나올 수 있습니다.

킥백 현상은 제품 오용 및/또는 부정확한 조작 절차 또는 조건의 결과로 발생하며 다음과 같이 적절한 예방 조치를 취함으로써 이를 방지할 수 있습니다.

양손으로 전기톱을 단단히 잡고 팔을 위치시켜 킥백 응력에 저항하십시오. 몸을 블레이드의 양쪽에 위치 시키되 블레이드와 나란히 서지 않아야 합니다. 킥백으로 인해 전기톱이 뒤로 튕길 수 있지만 적절한 예방 조치를 취한 경우, 작업자가 킥백 위험을 제어할 수 있습니다.

블레이드가 결속되거나 특정한 이유로 인해 절단 작업이 중단된 경우 트리거를 해제하고 블레이드가 완전히 멈출 때까지 재료에서 전기톱이 움직이지 않도록 잡습니다. 블레이드가 움직이고 있을 때 작업편에서 전기톱을 분리하거나 전기톱을 다시 밀려고 시도하지 마십시오. 그렇지 않을 경우 킥백이 발생할 수 있습니다. 블레이드 결속 원인을 조사하고 이를 제거하기 위한 시정 조치를 취하십시오.

작업편에서 전기톱을 재시동할 때 톱니가 재료에 끼이지 않도록 톱날을 커프 중심에 위치시킵니다. 톱날이 결속되었던 전기톱이 재시동될 때 작업편 위로 움직이거나 킥백이 발생할 수 있습니다.

대형 패널을 지지하면 블레이드 끼임 및 킥백 위험을 최소화할 수 있습니다. 대형 패널은 자체 무게로 늘어지는 경향이 있습니다. 지지대는 양쪽에 위치한 패널 아래, 절단 선 근처 및 패널 가장자리 근처에 배치해야 합니다.

무디거나 손상된 블레이드를 사용하지 마십시오. 날카롭지 않거나 부적절하게 설계된 블레이드는 좁은 틈새를 만들어 과도한 마찰. 블레이드 결속 및 킥백을 야기할 수 있습니다.

절단하기 전에 블레이드 길이와 배럴 조절 잠금 레버를 단단히 조여야 합니다. 절단하는 중에 블레이드를 조절하려면 결속과 킥백이 발생할 수 있습니다.

기존 벽이나 다른 사각지대에서 톱질 작업을 할 때 특히 주의하십시오. 돌출되어 있는 칼날로 인해 물건이 절단되어 킥백이 발생할 수 있습니다.

하단 가드 기능

사용하기 전에 하단 가드가 제대로 닫혔는지 점검합니다. 하단 가드가 자유롭게 움직이지 않고 즉시 닫힐 경우 전기톱을 조작하지 마십시오. 하단 가드를 열릴 위치로 조이거나 묶지 마십시오. 전기톱을 실수로 떨어뜨린 경우, 하단 가드가 구부러질 수 있습니다. 수축 손잡이를 사용하여 하단 가드를 들어 올린 다음, 하단 가드가 자유롭게 움직이고 모든 절단 각도와 깊이에서 블레이드나 다른 부분에 닿지 않도록 하십시오.

하단 가드 스프링이 작동하는지 점검합니다. 가드 및 스프링이 적절히 작동하지 않을 경우, 사용하기 전에 수리해야 합니다. 손상된 부품, 점착성의 침전물 또는 축적된 파편으로 인해 하단 가드가 느리게 작동할 수 있습니다.

"플런지 절단" 및 "항상 움직일 절단" 같은 특수 절단 작업의 경우에만 하단 가드를 수동으로 수축할 수 있습니다. 수축 손잡이로 하단 가드를 들어올리고 블레이드가 재료로 들어가는 즉시 하단 가드를 빼내야 합니다. 기타 모든 톱질의 경우 하단 가드가 자동으로 작동해야 합니다.

벤치 또는 바닥에 전기톱을 내려놓기 전에 하단 가드가 블레이드를 덮고 있는지 항상 관찰합니다. 보호하지 않은 상태로 타성에 의해 움직이는 블레이드로 인해 전기톱이 뒤로 후퇴하고 경로상에 있는 모든 물체가 절단될 수 있습니다. 스위치 해제 후 블레이드가 정지할 때까지 걸리는 시간에 유의하십시오.

추가적인 안전 및 작업 지침

귀마개를 착용하십시오! 소음이 노출되면 청력 손상을 입을 수 있습니다.

보호 장구를 착용하십시오. 제품을 사용하여 작업 수행 시 항상 보안경을 착용하십시오. 보호복 사용이 권고됨. 예: 분진 마스크, 방호 장갑, 견고하고 미끄럼 방지 신발, 헬멧, 방음장치 이 공구를 사용할 때 발생하는 분진은 건강에 해로울 수 있습니다. 그러한 분진을 흡입하지 마십시오. 먼지 흡수 시스템을 사용하고 적합한 방진 마스크를 착용하십시오. 진공 청소기 등을 사용하여 증착된 먼지를 제거하십시오.

사용 설명서에서 명시된 주요 정보에 부합하지 않는 톱날은 사용하지 않습니다.

절단되는 재료에 적합한 톱날을 선택해야 합니다.

이 설명서에서 지정된 금속 블레이드만 사용하십시오.

악세서리의 정격 속도는 적어도 전동 공구에 표시된 최대 속도와 같아야 합니다. 정격 속도보다 빠르게 작동하는 부속품은 파손 및 산산 조각날 수 있습니다.

이 공구에 마모 디스크를 사용하지 마십시오.

톱날 덮개에 금이 가거나 파손된 경우 즉시 공인 서비스 센터에서 교체해야 합니다. 톱날 덮개에 결함이 있거나 톱날 덮개가 없는 경우 제품을 작동하지 않아야 합니다.

휴대용 제품 사용 시 온/오프 스위치를 고정하지 마십시오.

제품 사용 전, 배터리 팩을 제거하십시오.

사용된 배터리 팩을 가정용 쓰레기와 함께 폐기하거나, 태우지 마십시오. 밀워키는 환경 보호를 위해 오래된 배터리 팩을 회수하는 것을 권장합니다.

배터리 팩을 금속 물체와 함께 보관하지 마십시오(단락 회로 위험).

System M18 배터리 팩을 충전하려면 System M18 충전기만 사용하십시오. 다른 시스템의 배터리 팩을 사용하지 마십시오.

배터리 팩과 충전기를 개방하지 말고, 건조한 곳에 보관하십시오. 배터리 팩과 충전기는 항상 건조한 상태로 유지하십시오.

극심한 부하 또는 극심한 온도 조건에서 손상된 배터리로부터 배터리 산이 누출될 수 있습니다. 배터리 산과 접촉할 경우, 비눗물로 즉시 세척하십시오. 눈과 접촉할 경우, 최소 10분

동안 철저히 세정한 후 즉각적인 의료 조치를 취하십시오.
 경고! 가드 장치와 칩 용기가 설치되지 않은 상태에서 제품을 작동하지 마십시오. 심각한 부상이 발생할 수 있습니다.
 상해 위험을 줄이려면 칩 용기를 분리할 때 측면 보호 장치가 있는 보안경이나 안경을 착용하십시오 파편과 부스러기가 얼굴로 날아갈 수 있습니다.

추가 배터리 안전 주의 사항

! 경고! 단락 회로로 인한 화재, 작업자 부상 및 제품 손상 위험을 줄이려면 톱, 배터리 팩 또는 충전기를 유체에 침수시키거나 유체가 내부로 흘러들어가지 않도록 해야 합니다. 해수, 특정한 산업용 화학 물질 및 표백제 또는 표백제 함유 제품 같은 부식성 또는 전도성 유체 등은 단락 회로를 야기할 수 있습니다.

사용 방법

블레이드 팁이 과열되지 않도록 주입 속도를 조절하십시오.

지정된 사용 조건

금속 톱은 금속 프로파일 (UNISTRUT), 파이프, 금속 스티드, 채널, 알루미늄 프로파일, 금속 시트 등과 같이 다양한 길이의 금속을 절단하는 데 사용할 수 있습니다.
 다른 목적으로 제품을 사용하지 마십시오.

과부하 보호

과부하 보호 장치는 모터 과부하 시 제품을 자동으로 차단합니다. 무단 블레이드를 사용하거나 재료를 너무 빨리 절단하거나 스테인리스강과 같은 단단한 금속을 절단하면 제품에 과부하가 걸릴 수 있습니다. 과부하 방지 장치가 작동하지 않도록 하려면 항상 날카로운 블레이드를 사용하십시오. 과부하 방지 장치를 무시하지 마십시오.

제품이 자동으로 꺼지는 경우:

1. 트리거를 해제하고 배터리 팩을 분리합니다.
2. 작업면에서 블레이드를 분리합니다.
3. 최소 2분 동안 제품을 그대로 둡니다.
4. 제품이 적절히 냉각되도록 부하가 없는 상태에서 제품을 구동하십시오.
5. 절단 작업을 재개합니다. 작업면에서 전기톱을 재시동할 때 톱날을 커브나 절단의 중앙에 놓고 톱날이 재료에 끼이지 않았는지 확인하십시오. 톱날이 결속되면 전기톱이 재시동될 때 작업면 위로 움직이거나 킥백이 발생할 수 있습니다.

전동식 브레이크

트리거 해제 시 전동식 브레이크를 체결하면 톱날이 멈추고 다음 작업을 진행할 수 있습니다. 일반적으로, 2초 이내에 톱날이 멈춥니다. 하지만 트리거 해제 시간과 브레이크 체결 시점 사이의 시간 지연이 있을 수 있습니다. 경우에 따라 브레이크가 완전히 체결되지 않을 수 있습니다. 브레이크가 빈번하게 체결되지 않은 경우, 인가된 MILWAUKEE 서비스 시설에 휴대용 전기톱 수리를 의뢰하십시오. 항상 블레이드가 완전히 멈출 때까지 기다린 후 작업면에서 톱을 분리해야 합니다.

배터리

장시간 사용하지 않은 배터리 팩은 사용하기 전에 충전해야 합니다.

50°C(122°F)를 초과하는 온도는 배터리 팩의 성능을

저하시킵니다. 열이나 햇볕에 오래 노출시키지 마십시오(과열 위험).

충전기 접점 및 배터리 팩을 청결한 상태로 유지해야 합니다. 최적의 수명을 보장하려면 사용한 후에 배터리 팩을 완전히 충전해야 합니다.

배터리 수명을 최대한 연장하려면 완전히 충전된 경우 충전기에서 배터리 팩을 제거하십시오.

30일 이상 배터리 팩을 보관하는 경우:

- 온도가 27°C 이하이며 습기가 없는 장소에 배터리 팩을 보관하십시오.
- 배터리 팩을 30% - 50% 충전된 조건으로 보관하십시오.
- 보관하지 6개월이 경과할 때마다 팩을 정상적으로 충전하십시오.

배터리 팩 보호

매우 높은 톱크, 바인딩, 스톨링 그리고 높은 전류가 유입되는 단락 상황에서, 제품은 약 2초 동안 정지한 다음, 전원이 꺼집니다. 재설정하려면 트리거를 해제하십시오.

극심한 환경 조건에서, 배터리 팩의 내부 온도가 급격히 상승할 수 있습니다. 이와 같은 상황이 발생 시 배터리에서 전원이 공급되지 않습니다. 배터리를 충전하고 재설정하십시오.

리튬 배터리의 운송

리튬 이온 배터리는 위험물 법을 요건의 적용을 받습니다.

이 배터리는 현지, 국내 및 국제 규정과 법규에 따라 운송해야 합니다.

- 배터리는 추가 요구 사항 없이 도로를 통해 운송할 수 있습니다.
- 제3자가 리튬 이온 배터리를 상용으로 운송할 때에는 위험물 규정의 적용을 받습니다. 운송 준비 및 운송 작업은 적절히 교육을 이수한 개인만 수행해야 하고 그 과정에 해당 전문가가 동행해야 합니다.

배터리 운송 시 :

- 배터리 접촉면을 보호 및 차단하여 합선 위험을 방지하십시오.
- 배터리 팩이 포장 내에서 움직이지 않도록 고정하십시오.
- 균열 또는 누출이 있는 배터리는 운송하지 마십시오.

추가 지침은 운송 회사에 확인하십시오.

유지 관리

제품의 통기구를 항상 깨끗하게 유지해야 합니다.

톱날을 부착하거나 제거하기 전에 전원에서 공구를 분리하도록 합니다.

공구와 가딩 장치를 마른 수건으로 닦도록 합니다. 특정 세척제와 솔벤트는 플라스틱과 기타 절연된 부분에 유해합니다. 기기 손잡이를 깨끗하고 건조한 상태로 보관하고 흘린 오일이나 그리스가 묻지 않도록 하십시오. 가드 기능을 점검하십시오. 정기적으로 유지관리 및 청소하면 수명이 오래가고 안전하게 취급할 수 있습니다.

먼지를 정기적으로 제거하십시오. 화재의 위험을 피하려면 톱 내부에 축적된 톱밥을 제거하십시오.

MILWAUKEE 액세서리와 부속품만 사용하십시오. 언급하지 않은 구성 부품을 교체해야 하는 경우 MILWAUKEE 서비스 센터 중 한 곳에 문의하십시오(보증/서비스 주소 목록 참조).

필요 시, 제품의 분해 조립도를 주문할 수 있습니다. 라벨에 인쇄되어 있는 제품 유형과 일련 번호를 알려주고 현지 서비스 대리점에서 도면을 주문하십시오.



주의! 경고! 위험!



제품 사용 전, 배터리 팩을 제거하십시오.



제품 사용 전, 설명서를 자세히 읽으십시오.



장갑을 착용하십시오.



귀마개를 착용하십시오!



제품을 사용할 때 항상 보안경을 착용하십시오.



적합한 분진 보호 마스크를 착용하십시오.



부속품 - 기본 제품에는 포함되어 있지 않습니다. 부속품으로 별도 구입해야 합니다.



전동 공구, 배터리/충전식 배터리는 가정용 쓰레기와 함께 버리지 마십시오. 수명이 다한 전동 공구와 배터리는 별도로 수거하여 환경적으로 호환되는 재생 시설로 반송해야 합니다. 재활용에 관한 조연과 수거 지점에 대해서는 지방 정부당국이나 소매업자에게 확인하십시오.

n_0

무부하 속도

V

전압(볼트)



직류



회전 방향

ความเร็วโดยไม่มีภาระโหลด	4000/min
เส้นผ่านศูนย์กลางใบมีดเลื่อย x เส้นผ่านศูนย์กลางของรู	203 x 15.87 mm
ความหนาของใบเลื่อย	1.8 mm
ฟันใบมีด	42
ความลึกสูงสุดในการตัด	66 mm
ความสามารถในการตัดสูงสุด	
แผ่นเหล็กกล้า	25 mm
เหล็กฉาก	63.5 x 63.5 x 6.35 mm
ท่อโลหะ	Ø 50 mm
โลหะรูปพรรณ	66 mm
แกนโลหะ	2.5 mm
แรงดันไฟแบตเตอรี่	18 V
น้ำหนักที่ไม่มีแบตเตอรี่	6.0 kg
น้ำหนักตามขั้นตอนของ EPTA 01/2014 (Li-Ion 2.0 / 12.0 Ah)	6.4 kg – 7.5 kg
อุณหภูมิในการทำงานที่แนะนำ	-18 °C – +50 °C
ชุดแบตเตอรี่ที่แนะนำ	M18B, M18 HB
ที่ชาร์จที่แนะนำ	M12-18C, M12-18FC, M12-18AC, M12-18C3

ข้อมูลเกี่ยวกับเสียงรบกวน/การสั่น

ค่าที่วัดที่กำหนดตาม EN 62841

ระดับแรงดันของเสียงที่ถ่วงน้ำหนัก A	97.2 dB(A)
ค่า K แปรผัน	3 dB (A)
ระดับกำลังของเสียงที่ถ่วงน้ำหนัก A	108.2 dB(A)
ค่า K แปรผัน	3 dB (A)

โปรดสวมอุปกรณ์ป้องกันการได้ยิน

ค่าการสั่นสะเทือนรวม (ผลรวมเวกเตอร์ในสามแกน) ที่กำหนดตาม EN 62841

ค่าการปล่อยการสั่นสะเทือน a_{hv}

การสั่นสะเทือนโลหะ	1.1 m/s ²
ค่า K แปรผัน	1.5 m/s ²

คำเตือน!

ระดับการสั่นสะเทือนและเสียงดังรบกวนที่ระบุในเอกสารข้อมูลนี้เป็นการการวัดตามการทดสอบตามมาตรฐานใน EN 62841 และจะใช้เพื่อเปรียบเทียบเครื่องมือหนึ่งกับอีกเครื่องมือ ซึ่งอาจใช้ในการประเมินการสัมผัสแรงสั่นสะเทือนเบื้องต้น

ระดับการสั่นสะเทือนและเสียงดังรบกวนที่ระบุเป็นการแสดงถึงการใช้งานหลักของเครื่องมือ อย่างไรก็ตาม หากเครื่องมือถูกใช้งานผิดประเภท กับอุปกรณ์เสริมที่แตกต่างกัน หรือการบำรุงรักษาไม่ดีพอ ระดับการสั่นสะเทือนและเสียงดังรบกวนอาจจะแตกต่างกันไป ซึ่งอาจเพิ่มระดับการสัมผัสแรงสั่นสะเทือนขึ้นอย่างมากตลอดช่วงการทำงานทั้งหมด

ควรพิจารณาประเมินระดับของการได้รับแรงสั่นสะเทือนและเสียงดังรบกวนเมื่อปิดเครื่องมือหรือเมื่อเปิดเครื่องแต่ไม่ได้ใช้งาน ซึ่งอาจลดระดับการสัมผัสแรงสั่นสะเทือนลงอย่างมากตลอดช่วงการทำงานทั้งหมด

ระมัดระวังการความปลอดภัยเพิ่มเติมเพื่อป้องกันผู้ปฏิบัติงานจากผลกระทบของการสั่นสะเทือนและ/หรือเสียงดัง เช่น การบำรุงรักษาผลิตภัณฑ์และอุปกรณ์เสริม รักษามือให้อบอุ่น และจัดระเบียบการทำงาน

คำเตือน! อ่านวิธีใช้ ภาพประกอบ ข้อมูลจำเพาะ และคำเตือนด้านความปลอดภัยทั้งหมดที่ให้มากับผลิตภัณฑ์ การไม่ปฏิบัติตามคำแนะนำที่แสดงอยู่ด้านล่าง อาจทำให้เกิดไฟฟ้าช็อต เพลิงไหม้ และ/หรือการบาดเจ็บรุนแรงได้

โปรดเก็บเอกสารคำเตือนและคำแนะนำทั้งหมดเพื่อใช้อ้างอิงในอนาคต

คำเตือนเกี่ยวกับความปลอดภัยของเลื่อยวงเดือน

ขั้นตอนการตัด

คำเตือน อันตราย อย่าให้มืออยู่ใกล้บริเวณที่ตัดและใบมีด ให้มืออีกข้างจับตามเสริมหรือตัวเรือน มอเตอร์ ถ้ามือทั้งสองจับเลื่อย จะไม่สามารถตัดด้วยใบมีดได้

ห้ามเอื้อมมือเข้าไปในชิ้นงาน อุปกรณ์ป้องกันไม่สามารถปกป้องคุณจากใบมีดได้ชิ้นงานได้

ปรับความลึกในการตัดตามความหนาของชิ้นงาน ความมองเห็นฟันใบมีดน้อยกว่าที่เห็นในชิ้นงาน

ห้ามถือชิ้นงานไว้กับมือหรือวางพาذاชระหว่างการตัด วางชิ้นงานไว้บนฐานที่มั่นคง การสนับสนุนการปฏิบัติงานอย่างถูกต้องเป็นสิ่งสำคัญในการลดการสัมผัสร่างกาย กรณีใบมีดติดขัด หรือการสูญเสียการควบคุม

ถือเครื่องมือกลตรงที่นิ้วที่กำจับมีการหุ้มฉนวนเท่านั้น เมื่อปฏิบัติงานในสภาพที่อุปกรณ์เสริมสำหรับการตัดอาจสัมผัสกับกระดูกเนื้อที่มองเห็น ซึ่งหากสายไฟดังกล่าว "มีกระแสไฟฟ้าเดินอยู่" จะทำให้ส่วนของโลหะของเครื่องมือนี้ "มีกระแสไฟฟ้า" และอาจทำให้ผู้ใช้เครื่องมือถูกไฟดูดได้

ระหว่งการตัด ให้ใช้ตัวกำหนดรัศมีการตัดหรือขอบตรงเสมอ ซึ่งช่วยปรับปรุงความถูกต้องของแม่นยำในการตัดและช่วยลดโอกาสในการเกิดกรณีใบมีดติดขัดได้

ใช้งานในเสถียรกับรูปทรงและรูปทรงถูกต้อง (ทรงเพชรกับทรงกลม) ใบมีดที่ไม่สามารถใส่เข้ากับอุปกรณ์ยึดของเลื่อยได้จะทำให้ใบเลื่อยหลุดออกจากคุณอย่างกะทันหันทำให้เกิดการสูญเสียการควบคุม

ห้ามใช้งานแหวนรองหรือสลักใบมีดที่เสียหายหรือไม่ถูกต้อง แหวนรองหรือสลักใบมีดจะถูกลอกแบบมาสำหรับเลื่อยของคุณโดยเฉพาะ เพื่อประสิทธิภาพการทำงานสูงสุดและการปฏิบัติงานอย่างปลอดภัย

แรงสะท้อน - สาเหตุและคำเตือนที่เกี่ยวข้อง

- แรงสะท้อนจะเกิดขึ้นทันทีจากใบมีดที่มีรอยบิ่น ที่ติดขัด และที่ผิดรูป ซึ่งทำให้ไม่สามารถควบคุมเลื่อยได้และตัดออกจากชิ้นงานเข้าหาผู้ปฏิบัติงาน

- หากใบมีดมีรอยบิ่นหรือติดขัดอย่างหนักจากการที่รอยตัดบิดลง จะทำให้เกิดปฏิกิริยาของแผงใบมีดและมอเตอร์ที่ติดกลับหาผู้ปฏิบัติงานอย่างฉับพลัน

- หากใบมีดผิดรูปหรือผิวนำในการตัด ฟันเลื่อยที่ขอบหลังของใบมีดอาจเจาะเข้าไปยังพื้นหลังของพื้นผิวได้ ซึ่งทำให้ใบมีดกระเด็นออกจากรอยตัดและติดกับเข้าหาผู้ปฏิบัติงาน

การติดกลับเป็นผลมาจากการทำงานผลิตภัณฑ์ที่ไม่ถูกต้องและ/หรือชิ้นตอนหรือเงื่อนไขการใช้งานที่ไม่ถูกต้อง ซึ่งสามารถหลีกเลี่ยงได้โดยอ่านข้อควรระวังที่ถูกต้อง ดังต่อไปนี้

จับด้ามจับของเลื่อยด้วยสองมือ ให้นแน่นและวางตำแหน่งแขนให้รับแรงต้านการแรงสะท้อนได้ วางตำแหน่งร่างกายไว้ทางด้านข้างทั้งสองฝั่งของใบมีด ห้ามย่อแนวเตี้ยเท่ากับใบมีด แรงสะท้อนอาจทำให้เลื่อยติดกลับ แต่ผู้ปฏิบัติงานสามารถควบคุมแรงสะท้อนได้ หากปฏิบัติตามข้อควรระวังที่ถูกต้อง

หากใบมีดติดขัดหรือหากมีการขัดขวางการตัด ไม้มาด้วยเหตุใดก็ตาม ให้ปล่อยใบมีดและถือเลื่อยไว้จนกว่าใบมีดจะหยุดทำงานอย่างสิ้นเชิง ห้ามพยายามนำเลื่อยออกจากงานหรือดึงเลื่อยกลับขณะที่ใบมีดเคลื่อน ไหวอยู่หรือเกิดแรงสะท้อนขึ้น ตรวจสอบและปฏิบัติงานอย่างถูกต้องเพื่อป้องกันไม่ให้ใบมีดติดขัด

เมื่อเริ่มใช้งาน เลื่อยกับชิ้นงานใหม่ ใหวางตำแหน่งใบมีดไว้ตรงกลางรอยตัด เพื่อให้ฟันเลื่อยสัมผัสวัสดุที่สุด หากใบมีดติดขัด อาจเกิดจากการเริ่มใช้งานเลื่อยใหม่กับชิ้นงาน

รองรับแผ่นขนาดใหญ่เพื่อลดความเสี่ยงของการเกิดรอยบิ่นที่ใบมีดและแรงสะท้อน มีแนวโน้ที่แผ่นขนาดใหญ่จะลดค่าตามน้ำหนักของแผ่นต้องมีตัวค้ำได้แนวทั้งสองฝั่ง โกลสั่นแนตัดและโกลสั่นแนง

ห้ามใช้ใบมีดที่เสียหายหรือบิ่น ใบมีดที่ไม่ได้สับคมหรือติดตั้งไม่ถูกต้องทำให้เกิดรอยตัดแคบซึ่งก่อให้เกิดแรงเสียดทานที่มากเกินไป ใบมีดติดขัด และแรงสะท้อน

ตั้งล้อกับล้อปรับความเอียงและความลึกของใบมีดให้แน่น ก่อนดำเนินการตัด หากการปรับใบมีดเกิดการเปลี่ยนแปลงระหว่างการตัด อาจก่อให้เกิดการติดขัดหรือแรงสะท้อนได้

จำเป็นต้องระมัดระวังอย่างยิ่ง เมื่อต้องเลื่อยผนังที่มีอยู่หรือบริเวณอื่น ๆ ที่มองไม่เห็น ใบมีดที่ยื่นออกมาอาจตัดวัตถุที่อาจก่อให้เกิดแรงสะท้อนได้

การทำงานของอุปกรณ์ป้องกันส่วนล่าง

ตรวจสอบอุปกรณ์ป้องกันส่วนล่างว่าปิดสนิทแล้วก่อนใช้งาน ห้ามใช้งานเลื่อย หากไม่สามารถเคลื่อนย้ายอุปกรณ์ป้องกันส่วนล่างได้อย่างอิสระและไม่สามารถเปิดได้ทันที **ห้ามหนีบหรือผูกอุปกรณ์ป้องกันส่วนล่างเข้ากับบริเวณเปิดโล่ง** หากเลื่อยตกลงโดยไม่ได้เจตนา อาจทำให้อุปกรณ์ป้องกันส่วนล่างปิดเบียดได้ ยกอุปกรณ์ป้องกันส่วนล่างขึ้นด้วยด้ามจับแบบพับได้ และตรวจสอบให้แน่ใจว่าอุปกรณ์ป้องกันเคลื่อนย้ายได้อย่างอิสระและไม่สัมผัสกับใบมีดหรือชิ้นงานอื่นใดในทุก ๆ องศาและความลึกของการตัด

ตรวจสอบการทำงานสปริงของอุปกรณ์ป้องกันส่วนล่าง หากอุปกรณ์และสปริงทำงานไม่ถูกต้อง ต้องซ่อมแซมก่อนใช้งาน อุปกรณ์ป้องกันส่วนล่างอาจทำงานอย่างเชื่องช้าเนื่องจากชิ้นส่วนเสียหาย ตะกอนเหนียวหรือกองเศษชิ้นส่วนได้

สามารถพับเก็บอุปกรณ์ป้องกันส่วนล่างได้เองเฉพาะสำหรับการตัดกรณีพิเศษ เช่น "การตัดแบบจ้วงตัด" และ "การตัดประกอบ" ยกอุปกรณ์ป้องกันส่วนล่างขึ้นด้วยด้ามจับแบบพับได้ และปล่อยอุปกรณ์ป้องกันส่วนล่างทันทีเมื่อใบมีดสัมผัสวัสดุ สำหรับการเลื่อยอื่นใดทั้งหมด อุปกรณ์ป้องกันส่วนล่างควรทำงานได้อัตโนมัติ

ตรวจสอบอุปกรณ์ป้องกันส่วนล่างเป็นประจำว่าครอบคลุม ใบมีดหรือไม่ ก่อนนำาและปล่อยลงกับพื้น แม้ใบมีดที่ไม่มีการป้องกันจะทำให้เกิดแรงสะท้อนกับและตัดทุกสิ่งตามทาง โปรดระวังขณะที่มีมิดยุดทำงานหลังจากปล่อยสวิตช์

คำแนะนำเพิ่มเติมเรื่องความปลอดภัยและการใช้งาน

โปรดสวมอุปกรณ์ปกป้องการได้ยิน เสียงดังเกินไปอาจทำให้สูญเสียความสามารถในการได้ยิน

โปรดใช้อุปกรณ์ป้องกัน สวมแว่นตานิรภัยเสมอเมื่อทำงานกับผลิตภัณฑ์นี้ และนำที่สวมเสื้อผ้าที่ป้องกันการป้องกัน เช่น หนาจากกันฝุ่น ถุงมือป้องกัน รองเท้ากันลื่นที่มีความหนาหนา หากากันน็อกและเครื่องป้องกันหู

ฝุ่นที่เกิดขณะใช้เครื่องมือนี้อาจเป็นอันตรายต่อสุขภาพ อย่างสุดท้ายใจเอาฝุ่นดังกล่าวเข้าไป ใช้ระบบการดูดฝุ่นและสวมหน้ากากป้องกันฝุ่นละอองที่เหมาะสม เช็ดฝุ่นที่ระดมอยู่ก่อนให้หมด ตัวอย่างเช่น ดูดด้วยเครื่องดูดฝุ่น

อย่าใช้ใบเลื่อยซึ่งไม่สอดคล้องกับข้อมูลสำคัญที่ระบุในคู่มือการใช้ จำเป็นต้องเลือกใบเลื่อยที่เหมาะสมสำหรับวัตถุประสงค์

ใช้เฉพาะใบมีดงานโลหะที่กำหนดไว้ในคู่มือนี้เท่านั้น

ความเร็วฟัดของอุปกรณ์เสริม อย่างเป็นทางการจะต้องเท่ากับความเร็วสูงสุดที่มีตัวเลขกำกับอยู่บนเครื่องมือไฟฟ้า อุปกรณ์เสริมที่ทำงานเร็วเกินความเร็วฟัด อาจแตกหักและกระเด็นได้

ห้ามใช้แผ่นขัดกับเครื่องมือนี้

หากตัวครอบใบมีดเสื่อมสภาพแตกหรือชำรุด จะต้องเปลี่ยนใหม่ทันทีโดยผู้บริการที่ได้รับอนุญาต ห้ามใช้ผลิตภัณฑ์นี้ หากตัวครอบใบมีดเสื่อมมีข้อบกพร่องหรือขาดหายไป

ห้ามล็อกสวิตช์เปิด/ปิดในขณะใช้งานผลิตภัณฑ์แบบพกพา ถอดชุดแบตเตอรี่ออกก่อนเริ่มการทำงานใดๆ กับผลิตภัณฑ์

ห้ามทิ้งแบตเตอรี่ที่ใช้แล้วกับขยะครัวเรือนหรือโดยการเผาทำลาย ผู้แทนจำหน่ายของ MILWAUKEE มีข้อเสนอในการกู้คืนแบตเตอรี่เก่าเพื่อปกป้องสภาพแวดล้อมของเรา

ไม่เก็บชุดแบตเตอรี่ไว้รวมกับวัตถุอื่นที่เป็นโลหะ (เสียงต่อการติดตั้ง) ชาร์จชุดแบตเตอรี่ System M18 ด้วยตัวชาร์จสำหรับ System M18 เท่านั้น อย่าใช้แบตเตอรี่จากระบบอื่น ๆ

ห้ามเปิดฝาครอบแบตเตอรี่และเครื่องชาร์จและเก็บไว้ในห้องที่แห้งเท่านั้น เก็บก่อนแบตเตอรี่และอุปกรณ์ชาร์จในที่แห้งตลอดเวลา

กรดแบตเตอรี่อาจรั่วซึมจากแบตเตอรี่ที่เสียหายภายใต้อุณหภูมิสูงหรือการใช้งานที่หนักมากเกินไป หากสัมผัสกับกรดแบตเตอรี่ ให้ล้างออกทันทีด้วยน้ำสะอาด หากกรดแบตเตอรี่เข้าตา ล้างตาให้ทั่วด้วยน้ำอย่างน้อย 10 นาทีและไปพบแพทย์ทันที

คำเตือน! ห้ามใช้งานผลิตภัณฑ์หากไม่มีตัวป้องกันและภาชนะรองรับเศษตัดถูกตัดตัวไว้ อาจเกิดการบาดเจ็บร้ายแรงขึ้นได้

เพื่อลดความเสี่ยงในเรื่องการบาดเจ็บ ให้สวมแว่นตานิรภัยหรือแว่นตาที่มีแผ่นป้องกันด้านข้างขณะถอดภาชนะรองรับเศษตัดออก เศษตัดและสิ่งปนเปื้อนอาจกระเด็นเข้าใบหน้าได้

คำเตือนเพิ่มเติมเกี่ยวกับความปลอดภัยของแบตเตอรี่

คำเตือน! วัสดุความเสี่ยงในการเกิดไฟไหม้ การบาดเจ็บส่วนบุคคล และความเสี่ยงหายต่อผลิตภัณฑ์ จากการสั้ววงจร อย่างจุ่มเครื่องมือ ก่อนแบตเตอรี่ หรือเครื่องชาร์จไฟลงในของเหลวหรือปล่อยให้ของเหลวซึมเข้าสู่ภายใน ของเหลวที่มีฤทธิ์กัดกร่อนหรือนำไฟฟ้าอาจก่อให้เกิดการสั้ววงจรได้ เช่น น้ำทะเล สารเคมีทางอุตสาหกรรมบางชนิด และผลิตภัณฑ์ฟอกสีหรือมีส่วนผสมการฟอกสี เป็นต้น

คำแนะนำการทำงาน

ปรับความเร็วป้อนเพื่อหลีกเลี่ยงปลายโม่มีดร้อนจนเกินไป

สภาพการใช้งานที่กำหนด

สามารถใช้งานเสียดไสในการตัดทางยาวและเชื่อมโลหะต่างๆ เช่น รูปแบบโลหะ, ท่อ, แกนโลหะ, ราง, รูปแบบอลูมิเนียม, แผ่นโลหะ เป็นต้น

ห้ามใช้ผลิตภัณฑ์เพื่อวัตถุประสงค์อื่นนอกเหนือจากที่ระบุ

ระบบป้องกันโอเวอร์โหลด

ตัวป้องกันโอเวอร์โหลดจะปิดเครื่องผลิตภัณฑ์โดยอัตโนมัติเมื่อมอเตอร์ทำงานหนักเกินกำลัง ผลิตภัณฑ์นี้อาจทำงานโอเวอร์โหลดเมื่อใช้โม่มีดที่หรือตัดวัสดุที่เกินไปหรือตัดโลหะแข็ง เช่น สแตนเลสสตีล เพื่อป้องกันไม่ให้เกิดตัวป้องกันโอเวอร์โหลดทำงาน ให้ใช้โม่มีดที่คมเสมอ อย่างพยายามเปลี่ยนแทนที่ตัวป้องกันโอเวอร์โหลด

ถ้าผลิตภัณฑ์ปิดเครื่องโดยอัตโนมัติ:

1. ปลดไกควบคุมแล้วถอดแบตเตอรี่ออก
2. ถอดโม่มีดออกจากชิ้นงาน
3. พักใช้งานผลิตภัณฑ์อย่างน้อย 2 นาที
4. ตรวจสอบผลิตภัณฑ์โดยไม่มีโหลดใดๆ เพื่อให้แน่ใจว่าผลิตภัณฑ์จะเย็นตัวลงอย่างเหมาะสม
5. ดำเนินการติดต่อ เมื่อเริ่มใช้งานเลี้ยงกับชิ้นงานใหม่ ให้วางตำแหน่งโม่มีดไว้ตรงกลางรอยตัดหรือร่องตัด และตรวจสอบว่าฟันเลื่อยสัมผัสผลิตภัณฑ์ วัสดุ หากโม่มีดติดขัด อาจเกิดจากการเริ่มใช้งานเลี้ยงใหม่กับชิ้นงาน

เบรกไฟฟ้า

เบรกไฟฟ้าจะทำงานเมื่อปล่อยไกเพื่อทำให้ใบเลื่อยหยุดและช่วยให้คุณสามารถทำงานต่อได้ โดยทั่วไปแล้ว ใบเลื่อยจะหยุดภายใน 2 วินาที อย่างไรก็ตาม อาจเกิดความล่าช้าระหว่างช่วงเวลาที่คุณปล่อยไกและเบรกทำงานได้ในบางครั้ง เบรกอาจจับใบเลื่อยไม่อยู่เลย หากเบรกจับใบเลื่อยไม่อยู่บ่อยครั้งจำเป็นต้องส่งใบเลื่อยให้ศูนย์บริการที่ได้รับอนุญาตของ MILWAUKEE ซ่อมบำรุง ไพร้อจนกว่าใบเลื่อยจะหยุดสนิทก่อนนำไปใบเลื่อยออกจากชิ้นงานเสมอ

แบตเตอรี่

ควรชาร์จไฟใหม่ก่อน ใช้งานหากไม่ได้ใช้ชุดแบตเตอรี่เป็นเวลานาน ประสิทธิภาพของชุดแบตเตอรี่จะลดลงหากอุณหภูมิสูงกว่า 50°C (122°F) หลีกเลี่ยงไม่ให้ถูกแสงแดดหรือความร้อนเป็นเวลานาน (เสี่ยงต่อความร้อนเกิน)

ต้องหมั่นดูแลความสะอาดหน้าสัมผัสตัวชาร์จกับชุดแบตเตอรี่ เพื่อยืดอายุการใช้งาน ควรชาร์จแบตเตอรี่ให้เต็มหลังการใช้งาน เพื่อรักษาอายุแบตเตอรี่ให้มากที่สุด ให้ถอดชุดแบตเตอรี่ออกจากตัวชาร์จเมื่อชาร์จไฟเต็ม

สำหรับชุดแบตเตอรี่ที่ต้องการเก็บไว้วันกว่า 30 วัน:

- เก็บชุดแบตเตอรี่ไว้ที่อุณหภูมิต่ำกว่า 27°C และหลีกเลี่ยงความชื้น
- เก็บชุดแบตเตอรี่ไว้ที่ประจุ 30% - 50%
- ให้ชาร์จแบตเตอรี่ตามปกติทุกหกเดือนที่เก็บ

ระบบป้องกันของชุดแบตเตอรี่

ในกรณีเกิดแรงดันสูงสุด การติดขัด การหยุดชะงัก และไฟฟ้าลัดวงจรที่ก่อ

ให้เกิดกระแสไฟแรงสูง ผลิตภัณฑ์จะหยุดทำงานประมาณ 2 วินาที จากนั้น ผลิตภัณฑ์จะปิดการทำงาน การรีเซ็ต ปล่อยให้

ภายใต้สถานการณ์รุนแรง อุณหภูมิภายในของแบตเตอรี่อาจจะสูงขึ้นไป หากเกิดสิ่งขึ้น แบตเตอรี่จะดับ ชาร์จแบตเตอรี่และรีเซ็ต

การเคลื่อนย้ายแบตเตอรี่ลิเทียม

แบตเตอรี่ลิเทียมไอออนอยู่ภายใต้ข้อกำหนดตามกฎหมายของสินค้าอันตราย

การขนส่งแบตเตอรี่เหล่านี้ต้องกระทำตามกฎระเบียบและข้อบังคับของท้องถิ่น ของประเทศ และระหว่างประเทศ

- สามารถขนส่งแบตเตอรี่ทางถนนได้โดยไม่ต้องมีข้อกำหนดเพิ่มเติม
- การขนส่งแบตเตอรี่ลิเทียมไอออนเชิงพาณิชย์โดยนิติบุคคลอื่นต้องดำเนินการภายใต้กฎระเบียบว่าด้วยสินค้าที่มีอันตราย การเตรียมการขนส่งและการขนส่งต้องดำเนินการโดยบุคลากรที่ผ่านการฝึกอบรมมาแล้วเท่านั้น และในระหว่างดำเนินการต้องมีผู้เชี่ยวชาญที่เกี่ยวข้องคอยกำกับดูแล

เมื่อขนย้ายแบตเตอรี่:

- ตรวจสอบให้แน่ใจว่าตัวต่อแบตเตอรี่ได้รับการปกป้องและหุ้มฉนวนเพื่อป้องกันไฟฟ้าลัดวงจร
- ตรวจสอบให้แน่ใจว่าก่อนแบตเตอรี่ได้รับการปกป้องอย่างแน่นหนาอยู่ในบรรจุภัณฑ์
- ห้ามเคลื่อนย้ายแบตเตอรี่ที่แตกหรือว่า

โปรดสอบถามบริษัทขนส่งหากท่านต้องการคำแนะนำเพิ่มเติม

การบำรุงรักษา

ต้องให้ช่องระบายอากาศเปิดโล่งอยู่ตลอดเวลา

ตรวจสอบให้แน่ใจว่าได้ถอดปลั๊กเครื่องมือก่อนตัดหรือใส่ใบเลื่อย

ทำความสะอาดเครื่องมือและระบบป้องกันด้วยผ้าแห้ง น้ำยาทำความสะอาด และสารละลายบางชนิดเป็นอันตรายต่อพลาสติกและชิ้นส่วนฉนวนอื่น ๆ หมั่นทำความสะอาดตามจับเครื่องมือ เช็ดให้แห้งเพื่อให้ปราศจากคราบน้ำมันหรือจารบี ตรวจสอบการทำงานของอุปกรณ์ป้องกัน มีการบำรุงรักษาและการทำความสะอาดเป็นประจำให้บริการตลอดอายุการใช้งาน รวมถึงการจัดการอย่างปลอดภัย

ทำความสะอาดฝุ่นเป็นประจำ ทำความสะอาดซี่เลื่อยที่สะสมในเลื่อย เพื่อหลีกเลี่ยงความเสี่ยงในการเกิดอัคคีภัย

ให้ใช้อุปกรณ์เสริมและชิ้นส่วนอะไหล่ของ MILWAUKEE เท่านั้น หากจำเป็นต้องเปลี่ยนส่วนประกอบที่ไม่ได้อิบายไว้ โปรดติดต่อศูนย์บริการของ MILWAUKEE (ดูที่รายการการรับประกัน/ที่อยู่ของศูนย์บริการของเรา)

ท่านสามารถส่งภาพกระจายชิ้นส่วนประกอบของผลิตภัณฑ์ได้ หากต้องการโปรดระบุประเภทผลิตภัณฑ์ที่พิมพ์พร้อมถึงหมายเลขอนุกรมบนฉลาก และส่งชื่อเครื่องที่ตัวแทนบริการภายในห้องถึงของคุณ

เครื่องหมาย



ระวัง! คำเตือน! อันตราย!



ถอดชุดแบตเตอรี่ออกก่อนเริ่มกระทำการใด ๆ กับผลิตภัณฑ์



โปรดอ่านคำแนะนำอย่างระมัดระวังก่อนเริ่มใช้เครื่องมือ



สวมถุงมือ



โปรดสวมอุปกรณ์ป้องกันการได้ยิน



สวมแว่นตานิรภัยทุกครั้งที่ใช้ผลิตภัณฑ์นี้



ให้สวมหน้ากากป้องกันฝุ่นที่เหมาะสม



อุปกรณ์เสริม - ไม่รวมอยู่ในผลิตภัณฑ์ที่มาตราฐาน มีให้เป็นอุปกรณ์เสริม



อย่าทิ้งเครื่องมือไฟฟ้า แบตเตอรี่ แบตเตอรี่ชนิดชาร์จซ้ำได้ร่วมกับขยะในครัวเรือน ต้องทิ้งเครื่องมือไฟฟ้าและแบตเตอรี่ที่หมดอายุการใช้งานแยกต่างหากและนำไปยังสถานที่รีไซเคิลที่เป็นมิตรกับสิ่งแวดล้อม ตรวจสอบกับผู้จำหน่ายในท้องถิ่นของคุณหรือร้านค้าปลีกสำหรับคำแนะนำในการรีไซเคิลและจัดเก็บรวบรวม

n_0

ความเร็วโดยไม่มีภาระโหลด

V

โวลต์



กระแสดตรง



ทิศทางการหมุน

Kecepatan tanpa beban	4000/min
Diameter mata gergaji x diameter lubang	203 x 15,87 mm
Ketebalan bilah gergaji	1,8 mm
Mata gergaji	42
Kedalaman pemotongan maksimum	66 mm
Kapasitas pemotongan maksimum	
Pelat Baja	25 mm
Besi siku	63,5 x 63,5 x 6,35 mm
Pipa baja	ø 50 mm
Penampang	66 mm
Paku tembak baja	2,5 mm
Tegangan baterai	18 V
Berat tanpa Baterai	6,0 kg
Bobot sesuai dengan Prosedur EPTA 01/2014 (Li-ion 2,0 Ah / 12,0 Ah)	6,4 kg – 7,5 kg
Suhu pengoperasian sekitar yang direkomendasikan	-18 °C – +50 °C
Paket baterai yang direkomendasikan	M18B, M18 HB
Pengisi daya yang direkomendasikan	M12-18C, M12-18FC, M12-18AC, M12-18C3

Informasi derau/vibrasi

Nilai terukur yang ditentukan sesuai EN 62841.

Tingkat tekanan suara tertimbang A	97,2 dB(A)
K Ketidakpastian	3 dB (A)
Tingkat daya suara tertimbang A	108,2 dB(A)
K Ketidakpastian	3 dB (A)

Pakai pelindung telinga.

Total nilai vibrasi (jumlah vektor di ketiga aksis) ditentukan sesuai EN 62841.

Nilai a_n emisi getaran

Penggergajian logam	1,1 m/s ²
K Ketidakpastian	1,5 m/s ²

PERINGATAN!

Tingkat emisi getaran dan kebisingan yang disebutkan dalam lembar informasi ini telah diukur sesuai dengan tes standar yang ditentukan dalam EN 62841 dan dapat digunakan untuk membandingkan satu alat dengan alat yang lain. Dapat digunakan untuk penilaian pendahuluan terhadap paparan.

Tingkat emisi getaran dan kebisingan yang dinyatakan mewakili aplikasi utama alat ini. Namun jika alat ini digunakan untuk aplikasi yang berbeda, dengan aksesoris yang berbeda atau tidak dirawat dengan baik, getaran dan emisi kebisingan yang timbul mungkin berbeda. Hal ini dapat meningkatkan tingkat paparan secara signifikan selama periode kerja total.

Perkiraan tingkat paparan getaran dan kebisingan juga harus memperhitungkan saat-saat ketika alat dimatikan atau dinyalakan tetapi tidak benar-benar melakukan pekerjaan. Hal ini dapat menurunkan tingkat paparan secara signifikan selama periode kerja total.

Identifikasi langkah-langkah keselamatan tambahan untuk melindungi operator dari efek getaran, seperti merawat produk dan aksesorisnya, menjaga tangan tetap hangat, dan mengatur pola kerja.

⚠ PERINGATAN! Baca semua peringatan keselamatan, petunjuk, ilustrasi, dan spesifikasi yang disertakan bersama produk. Tidak dipatuhi semua petunjuk di bawah ini, dapat berakibat sengatan listrik, kebakaran, dan/atau cedera parah.

Simpan semua peringatan dan petunjuk sebagai referensi sewaktu-waktu.

⚠ PERINGATAN KESELAMATAN GERGAJI SIRKULAR

Prosedur pemotongan

⚠ Bahaya: Jauhkan tangan dari pemotongan dan bilah pemotongan. Pegang pegangan bantu atau kerangka motor dengan tangan kedua. Jika kedua tangan memegang gergaji, maka keduanya tidak dapat terkena bilah.

Jangan menggapai bagian bawah benda kerja. Pelindung

tidak bisa melindungi Anda dari bilah gergaji yang berada di bawah benda kerja.

Sesuaikan kedalaman pemotongan dengan ketebalan benda kerja. Bilah gergaji penuh harus terlihat di bawah benda kerja, kurang dari satu mata gergaji penuh.

Jangan sekali-kali memegang benda kerja di tangan Anda atau di kaki Anda saat memotong. Pasang benda kerja ke platform yang stabil. Penting untuk menyangga benda kerja dengan benar untuk meminimalkan paparan tubuh, tersangkutnya bilah gergaji, atau kehilangan kendali.

Pegang perkakas listrik permukaan pegangan yang berisolasi saja, ketika melakukan pengoperasian di mana alat pemotong dapat mengenai perkabelan yang tersembunyi. Aksesori potong yang bersentuhan dengan kabel "live" mungkin membuat komponen logam alat listrik terekspos menjadi "live" dan dapat menimbulkan sengatan listrik bagi operator.

Saat merobek, selalu gunakan pagar sobekan atau panduan tepi lurus. Hal ini meningkatkan keakuratan potongan dan mengurangi kemungkinan tersangkutnya bilah gergaji.

Selalu gunakan bilah gergaji dengan ukuran dan bentuk lubang punjung yang benar (wajik versus bulat). Bilah gergaji yang tidak sesuai dengan perangkat keras pemasangan gergaji akan lepas dari pusatnya, menyebabkan hilangnya kendali.

Jangan pernah menggunakan cincin atau baut yang rusak atau yang salah. Cincin dan baut bilah gergaji dirancang khusus untuk gergaji Anda, untuk kinerja dan keamanan operasi yang optimal.

SENTAKAN - PENYEBAB DAN PERINGATAN TERKAIT

– Sentakan adalah reaksi tiba-tiba pada bilah gergaji yang terjepit, tersangkut atau tidak sejajar, menyebabkan gergaji yang tidak terkendali terangkat dan keluar dari benda kerja mengarah ke operator.

– Saat bilah gergaji terjepit atau terikat erat oleh garitan (kerf) yang menutup, rumah bilah dan reaksi motor mendorong unit tersebut dengan cepat kembali ke arah operator.

– Jika bilah gergaji menjadi bengkok atau tidak sejajar dengan potongannya, gerigi di tepi belakang bilah dapat masuk ke permukaan atas baja, menyebabkan bilah tersebut keluar dari kerf dan terlempar kembali ke arah operator.

Sentakan adalah akibat penyalahgunaan produk dan/atau prosedur atau kondisi operasi yang salah dan dapat dihindari dengan melakukan tindakan pencegahan sebagaimana disebutkan di bawah ini:

Pertahankan pegangan yang kuat dengan kedua tangan pada gergaji dan posisikan lengan Anda untuk melawan kekuatan sentakan. Posisikan tubuh Anda di salah satu sisi bilah, tapi tidak sejajar dengan bilah tersebut. Sentakan bisa menyebabkan gergaji terlempar ke belakang, tapi kekuatan sentakan bisa dikendalikan oleh operator, jika tindakan pencegahan yang tepat telah dilakukan.

Saat bilah gergaji tersangkut, atau saat pemotongan disela karena alasan apa pun, lepaskan pemicu dan pegang gergaji tanpa bergerak dalam material sampai bilah gergaji berhenti sepenuhnya. Jangan pernah mencoba melepaskan gergaji dari pekerjaan atau menarik gergaji ke belakang sementara bilah gergaji bergerak atau dapat terjadi sentakan. Periksa dan lakukan tindakan perbaikan untuk mengurangi penyebab bilah gergaji tersangkut.

Saat me-restart gergaji di dalam benda kerja, tancapkan

mata gergaji di kerf sehingga gigi gergaji tidak lekat ke dalam bahan. Jika bilah gergaji tersangkut, bilah tersebut dapat bergerak naik atau tersentak dari benda kerja saat gergaji dihidupkan kembali.

Untuk panel besar, beri penyangga untuk meminimalisir risiko bilah gergaji terjepit dan menyentak. Panel besar cenderung melorot dikarenakan beratnya. Penyangga harus ditempatkan di bawah panel pada kedua sisi, di dekat garis potong dan di dekat tepi panel.

Jangan gunakan bilah yang tumpul atau rusak. Bilah yang tidak ditajamkan atau dipasangkan dengan tidak semestinya menghasilkan kerf sempit yang menyebabkan gesekan berlebihan, tersangkutnya bilah gergaji dan sentakan.

Tuas pengunci kedalaman bilah dan pengatur bevel harus kencang dan terkunci sebelum melakukan pemotongan. Jika pengatur bilah bergeser saat pemotongan, hal itu dapat menyebabkan sangkutan dan sentakan.

Lebih waspadalah saat menggergaji ke dalam dinding atau area tak terlihat lainnya. Bilah gergaji yang terjulur bisa memotong benda yang dapat menyebabkan sentakan.

FUNGSI PELINDUNG BAWAH

Periksa pelindung bawah untuk melihat apakah sudah tertutup dengan baik sebelum digunakan. Jangan mengoperasikan gergaji jika pelindung bawah tidak bergerak bebas dan menutup seketika. Jangan pernah menjepit atau mengikat pelindung bawah ke posisi terbuka. Jika gergaji terjatuh secara tidak sengaja, pelindung bawah mungkin jadi bengkok. Angkat pelindung bawah dengan tuas penarikan dan pastikan pelindung bergerak dengan bebas dan tidak menyentuh bilah atau bagian lainnya, di semua sudut dan kedalaman pemotongan.

Periksa pengoperasian pegas pelindung bawah. Jika pelindung dan pegas tidak beroperasi dengan semestinya, keduanya harus diperbaiki sebelum digunakan. Pelindung bawah dapat beroperasi dengan lambat karena ada bagian yang rusak, endapan lengket, atau penumpukan puing-puing.

Pelindung bawah dapat ditarik kembali (dibatalkan) secara manual hanya untuk pemotongan khusus seperti "pemotongan lubang di tengah" dan "pemotongan majemuk". Naikkan pelindung bawah di dekat tuas penarikan dan begitu bilah gergaji masuk ke dalam bahan, pelindung bawah harus dilepaskan. Untuk penggergajian lainnya, pelindung bawah harus beroperasi secara otomatis.

Selalu pastikan pelindung bawah menutupi bilah gergaji sebelum meletakkan gergaji di bangku atau lantai. Bilah yang tidak terlindungi, dan meluncur akan menyebabkan gergaji bergerak mundur, memotong apa pun yang berada di jalurnya. Perhatikan waktu yang dibutuhkan bilah gergaji untuk berhenti setelah sakelar dilepaskan.

PETUNJUK KESELAMATAN DAN KERJA TAMBAHAN

Pakai pelindung telinga. Berada di lingkungan yang bising dapat menyebabkan gangguan pendengaran.

Gunakan peralatan pelindung. Selalu kenakan kaca mata pelindung saat bekerja menggunakan produk ini. Dianjurkan memakai pakaian pelindung, seperti masker debu, sarung tangan pelindung, sepatu alas karet yang kokoh, helm, dan pelindung telaga.

Debu yang timbul saat menggunakan alat ini dapat membahayakan kesehatan. Jangan menghirup debu. Gunakan sistem penyedot debu dan masker debu yang tepat. Buang semua kumpulan debu, mis. dengan pembersih vakum. Jangan menggunakan gergaji yang tidak sesuai dengan data

kunci yang diberikan dalam petunjuk penggunaan ini.

Pilihlah mata gergaji yang cocok untuk material yang sedang dipotong.

Gunakan hanya bilah pengerjaan logam yang disebutkan dalam manual ini.

Kecepatan terukur aksesoris tersebut setidaknya harus sama dengan kecepatan maksimum yang ditandai di alat listrik ini. Aksesoris yang bekerja lebih cepat dari kecepatan terukurnya dapat rusak dan terlepas.

Jangan gunakan cakram abrasif di mesin ini.

Jika penutup mata gergaji retak atau rusak, penutup tersebut harus segera diganti oleh pusat perbaikan resmi. Produk tidak boleh dioperasikan jika penutup mata gergaji rusak atau hilang.

Jangan menahan jari pada tombol on/off saat menggunakan produk genggam.

Lepaskan paket baterai sebelum memulai pekerjaan apa pun pada produk.

Jangan membuang unit baterai bekas dalam sampah rumah tangga atau membakarnya. Distributor MILWAUKEE menawarkan untuk mengambil baterai lama guna melindungi lingkungan kita.

Jangan menyimpan paket baterai bersama benda logam (risiko arus pendek).

Hanya gunakan pengisi daya System M18 untuk mengisi daya paket baterai System M18. Jangan menggunakan unit baterai dari sistem lain.

Jangan sekali-kali membuka unit baterai dan pengisi daya serta hanya simpan di tempat kering. Jaga kemasan baterai dan pengisi daya tetap kering di sepanjang waktu.

Asam baterai dapat merembes dari baterai yang rusak akibat beban atau suhu yang ekstrem. Jika asam baterai mengenai Anda, segera cuci dengan sabun dan air. Jika mengenai mata, bilas sebanyak-banyaknya selama setidaknya 10 menit dan segera dapatkan penanganan medis.

PERINGATAN! Jangan pernah mengoperasikan produk saat pelindung dan wadah serpihan tidak terpasang. Cedera serius bisa terjadi.

Untuk mengurangi risiko cedera, kenakan kacamata pengaman atau kacamata dengan pelindung samping saat melepas wadah serpihan. Serpihan dan puing-puing dapat berterbangan ke arah wajah.

PERINGATAN KESELAMATAN BATERAI TAMBAHAN

⚠ PERINGATAN! Untuk mengurangi risiko kebakaran, cedera pribadi, dan kerusakan produk akibat hubungan arus pendek, jangan pernah merendam alat, baterai atau charger Anda dalam cairan atau membiarkan cairan mengalir di dalamnya. Cairan korosif atau konduktif, seperti air laut, bahan kimia industri tertentu, dan produk pemutih atau yang mengandung pemutih, dan sebagainya, dapat menyebabkan hubungan arus pendek.

PETUNJUK KERJA

Sesuaikan kecepatan pengumpanan untuk menghindari pemanasan berlebih pada ujung bilah.

KONDISI PENGGUNAAN KHUSUS

Gergaji logam dapat digunakan untuk memotong secara memanjang dan pemotongan sudut berbagai logam, seperti profil logam (UNISTRUT), pipa, kancing logam, talang, profil aluminium, lembaran baja, dll.

Jangan menggunakan produk untuk tujuan lain.

PENGAMAN BEBAN BERLEBIH

Pelindung beban berlebih secara otomatis akan mematikan produk ketika motor kelebihan beban. Produk dapat kelebihan beban saat menggunakan bilah yang tumpul atau memotong bahan terlalu cepat, atau memotong logam keras seperti stainless steel. Untuk mencegah aktifnya pelindung beban berlebih, selalu gunakan bilah yang tajam. Jangan mencoba untuk mengabaikan pelindung beban berlebih.

Jika produk mati secara otomatis:

1. Lepas pelatuk dan keluarkan baterai.
2. Lepaskan bilah dari benda kerja.
3. Biarkan produk beristirahat selama minimal 2 menit.
4. Biarkan produk bergerak tanpa beban untuk memastikan bahwa produk telah benar-benar dingin.
5. Lanjutkan pemotongan. Saat memulai ulang gergaji di dalam benda kerja, tancapkan mata gergaji pada kerf atau potongan, dan pastikan gigi gergaji tidak melekat ke dalam bahan. Jika bilah gergaji tersangkut, bilah tersebut dapat bergerak naik atau tersentak dari benda kerja saat gergaji dihidupkan kembali.

REM ELEKTRIK

Rem elektrik bekerja ketika pemacu dilepaskan, menyebabkan bilah berhenti dan memungkinkan Anda untuk melanjutkan pekerjaan. Secara umum, bilah gergaji akan berhenti dalam 2 detik. Namun demikian, mungkin akan ada jeda antara waktu Anda melepaskan pemacu dan saat rem bekerja. Sesekali, rem bisa jadi tidak bekerja sama sekali. Jika rem berulang-ulang tidak berfungsi, gergaji perlu diperbaiki oleh fasilitas perbaikan resmi MILWAUKEE. Selalu tunggu bilah gergaji benar-benar berhenti sebelum melepaskan gergaji dari benda kerja.

BATERAI

Paket baterai yang belum digunakan selama beberapa waktu harus diisi kembali dayanya sebelum digunakan.

Suhu yang melebihi 50°C (122°F) akan mengurangi kinerja paket baterai. Hindari paparan berkepanjangan terhadap panas atau sinar matahari (risiko panas berlebihan).

Kontak pada pengisi daya dan paket baterai harus dijaga kebersihannya.

Untuk masa pemakaian optimal, paket baterai harus diisi dayanya hingga penuh setelah digunakan.

Untuk memaksimalkan masa pemakaian baterai, lepaskan paket baterai dari pengisi daya setelah terisi sepenuhnya.

Untuk penyimpanan paket baterai lebih dari 30 hari:

- Simpan paket baterai jika suhu berada di bawah 27°C dan jauhkan dari kelembapan.
- Simpan paket baterai dalam kondisi terisi dayanya 30% - 50%.
- Jika penyimpanan paket baterai mencapai enam bulan, isi daya baterai seperti biasa.

PERLINDUNGAN KEMASAN BATERAI

Dalam kondisi torsi yang sangat tinggi, tersangkut, mogok, dan korsleting yang menyebabkan arus tinggi, produk akan berhenti selama sekitar 2 detik kemudian akan mati. Untuk menyetel ulang, lepaskan pemacu.

Dalam kondisi ekstrem, suhu dalam baterai dapat meningkat. Jika hal ini terjadi, baterai akan padam. Isi daya baterai dan reset.

MENGANGKUT BATERAI LITIUUM

Baterai litium-ion tunduk pada persyaratan Legisiasi Barang Berbahaya.

Pengangkutan baterai ini harus dilakukan sesuai regulasi dan peraturan daerah, nasional, dan internasional.

- Baterai dapat diangkat melalui jalan darat tanpa persyaratan khusus.
- Pengangkutan komersial baterai Litium-ion oleh pihak ketiga tunduk pada peraturan Barang Berbahaya. Persiapan pengangkutan dan pengangkutan harus dilakukan oleh orang yang terlatih dan prosesnya harus didampingi oleh pakar yang terkait.

Ketika mengangkut baterai:

- Pastikan bahwa terminal kontak baterai terlindungi dan terisolasi untuk mencegah korsleting.
- Pastikan bahwa unit baterai aman dari gerakan dalam pengemasan.
- Jangan mengangkut baterai yang retak atau bocor.

Tanyakan kepada perusahaan ekspedisi untuk mendapatkan saran lebih lanjut.

PEMELIHARAAN

Slot ventilasi produk tidak boleh tertutup sepanjang waktu.

Pastikan untuk melepas alat dari sumber listrik sebelum melepas atau memasang bilah gergaji.

Bersihkan alat dan sistem pelindung dengan kain kering. Pelarut dan bahan pembersih tertentu berbahaya untuk plastik dan bagian terisolasi lainnya. Jaga gagang peralatan tetap bersih, kering, dan bebas dari minyak atau lemak. Periksa fungsi pelindung. Pemeliharaan dan pembersihan rutin memberikan masa penggunaan yang panjang dan penanganan yang aman.

Bersihkan debu secara teratur. Keluarkan serbuk gergaji yang telah terkumpul di dalam gergaji agar terhindar dari risiko kebakaran.

Gunakan hanya aksesoris dan suku cadang MILWAUKEE. Jika komponen yang belum dijelaskan harus diganti, hubungi salah satu dari pusat layanan MILWAUKEE kami (lihat daftar alamat layanan/garansi kami).

Jika diperlukan, gambar pecahan komponen dapat dipesan. Sebutkan tipe produk dan nomor seri yang tertera pada label dan pesanan gambarnya pada agen layanan setempat.

SIMBOL



PERHATIAN! PERINGATAN! BAHAYA!



Lepaskan paket baterai sebelum memulai pekerjaan apa pun pada produk.



Baca petunjuk dengan cermat sebelum memulai menggunakan produk.



Pakai sarung tangan.



Pakai pelindung telinga.



Selalu pakai kacamata goggle saat menggunakan produk ini.



Pakai masker pelindung debu yang tepat.



Aksesori - Tidak disertakan dalam produk standar, tersedia sebagai aksesoris.



Jangan membuang alat-alat listrik, baterai/ baterai isi ulang bersama-sama dengan sampah rumah tangga. Peralatan listrik dan baterai yang telah mencapai akhir masa pakainya harus dikumpulkan secara terpisah dan dikembalikan ke fasilitas daur ulang yang kompatibel terhadap lingkungan. Tanyakan kepada pihak berwenang atau peritel setempat mengenai daur ulang dan titik pengumpulan.

n_0

Kecepatan tanpa beban

V

Volt



Arus Search



Arah rotasi

Tốc độ không tải	4000/min
Đường kính lưỡi cưa x đường kính lỗ	203 x 15.87 mm
Độ dày lưỡi cưa	1.8 mm
Răng lưỡi cưa	42
Độ sâu cắt tối đa	66 mm
Khả năng cắt tối đa	
Tấm thép	25 mm
Cây sắt góc	63.5 x 63.5 x 6.35 mm
Ống kim loại	ø 50 mm
Phần cắt	66 mm
Thanh thép đứng	2.5 mm
Điện áp pin	18 V
Trọng lượng không tính pin	6.0 kg
Trọng lượng theo EPTA-Procedure 01/2014 (2,0 Ah – 12,0 Ah)	6.4 kg – 7.5 kg
Nhiệt độ môi trường khuyến nghị khi vận hành	-18 °C – +50 °C
Loại pin được khuyến nghị	M18B, M18 HB
Bộ sạc được khuyến nghị	M12-18C, M12-18FC, M12-18AC, M12-18C3

Thông tin về tiếng ồn/độ rung

Giá trị đo được xác định theo tiêu chuẩn EN 62841.

Cấp độ áp suất âm thanh trọng số A	97.2 dB(A)
Độ bất định K	3 dB (A)
Cấp độ công suất âm thanh trọng số A	108.2 dB(A)
Độ bất định K	3 dB (A)

Đeo thiết bị bảo vệ tai.

Tổng giá trị rung chấn (tổng véc-tơ theo ba trục) được xác định theo tiêu chuẩn EN 62841.

Giá trị phát thải rung chấn a_h

Cưa kim loại	1.1 m/s ²
Độ bất định K	1.5 m/s ²

CẢNH BÁO!

Mức độ phát thải tiếng ồn và rung chấn được đưa ra trong bảng thông tin này đã được đo theo thử nghiệm chuẩn hóa nêu trong Tiêu chuẩn EN 62841 và có thể được sử dụng để so sánh với công cụ khác. Nó có thể được sử dụng để đánh giá sơ bộ về mức độ tiếp xúc.

Mức phát thải tiếng ồn và rung chấn được công bố thể hiện cho ứng dụng chính của công cụ. Tuy nhiên, nếu công cụ được sử dụng cho các ứng dụng khác nhau, với các phụ kiện khác nhau hoặc được bảo dưỡng kém, thì độ rung có thể khác nhau. Điều này có thể làm tăng đáng kể mức độ tiếp xúc trong tổng thời gian làm việc.

Việc ước tính mức độ tiếp xúc với tiếng ồn và rung chấn cũng cần tính đến số lần công cụ được tắt hoặc khi nó đang chạy nhưng không thực sự làm việc. Điều này có thể làm giảm đáng kể mức độ tiếp xúc trong tổng thời gian làm việc.

Xác định các biện pháp an toàn bổ sung để bảo vệ người vận hành khỏi các tác động của rung chấn và tiếng ồn, như bảo trì công cụ và các phụ kiện, giữ cho tay ấm, sắp xếp các quy trình làm việc.

⚠ CẢNH BÁO! Hãy đọc tất cả các cảnh báo an toàn, hướng dẫn, hình minh họa và thông số kỹ thuật đi kèm sản phẩm này. Không tuân thủ những cảnh báo và chỉ dẫn có thể dẫn đến giết điện, hỏa hoạn và/hoặc chấn thương nghiêm trọng.

Giữ lại tất cả những cảnh báo và chỉ dẫn để tham khảo sau này.

⚠ CẢNH BÁO AN TOÀN CHO CỬA VÒNG

Quy trình cắt

⚠ Nguy hiểm: Giữ tay tránh xa khu vực cưa và lưỡi cưa. Giữ bàn tay thứ hai trên tay cầm phụ hoặc vỏ động cơ. Nếu cả hai tay đều cầm cưa thì chúng không thể bị lưỡi cưa cắt vào.

Không chạm vào bên dưới vật gia công. Tấm chắn không thể bảo vệ bạn khỏi lưỡi cưa ở dưới vật gia công.

Điều chỉnh độ sâu cắt theo độ dày của vật gia công. Chỉ một phần răng của lưỡi cưa nên được nhìn thấy bên dưới vật gia công.

Không bao giờ giữ vật gia công đang được cắt trong tay hoặc trên chân của bạn khi đang cắt. Cố định vật gia công lên một bề mặt ổn định. Điều quan trọng là cố định vật gia công đúng cách để giảm thiểu rủi ro cho cơ thể, kẹp lưỡi cưa, hoặc mất kiểm soát.

Chỉ giữ máy bằng bề mặt cầm cách điện khi thực hiện một thao tác trong đó công cụ cắt có thể tiếp xúc với dây điện ẩn. Dụng cụ cắt tiếp xúc với dây "có điện" có thể làm cho các bộ phận kim loại hồ của dụng cụ máy "có điện" và có thể làm cho người vận hành bị điện giật.

Khi cưa, luôn sử dụng một thanh cữ hoặc thanh dẫn hướng. Việc này sẽ cải thiện độ chính xác của vết cắt và giảm thiểu nguy cơ kẹp lưỡi cưa.

Luôn sử dụng lưỡi cưa có kích cỡ và hình dáng phù hợp (hình thoi hoặc hình tròn) cho lỗ tâm. Các lưỡi cưa không phù hợp với giá đỡ cưa sẽ vận hành không ổn định và gây mất kiểm soát.

Không bao giờ sử dụng vòng đệm hay bu lông không phù hợp hoặc bị hư hại. Vòng đệm và bu lông đã được thiết kế cụ thể cho cưa của bạn để đảm bảo hiệu năng tối ưu và vận hành an toàn.

NGUYÊN NHÂN GÂY PHẢN LỰC VÀ CÁC CẢNH BÁO LIÊN QUAN

– Phản lực là phản ứng đột ngột do lưỡi cưa bị kẹp, kẹt hoặc không thẳng hàng, khiến cưa mất kiểm soát bị nâng lên và ra khỏi vật gia công về hướng người vận hành.

– Khi lưỡi cưa bị kẹt hoặc kẹp chặt do vết cưa khép lại, lưỡi cưa sẽ mất kẹt và phản lực của động cơ đẩy lùi máy về phía người vận hành.

– Nếu lưỡi cưa bị méo hoặc không thẳng hàng trong vết cắt, răng ở phần sau của lưỡi cưa có thể cần vào bề mặt trên cùng của kim loại, khiến lưỡi cưa nảy ra khỏi vết cưa và bắn về phía người vận hành.

Phản lực là kết quả của việc sử dụng sai cưa và/hoặc quy trình hay điều kiện vận hành không đúng và có thể được tránh bằng cách thực hiện các biện pháp để phòng an toàn dưới đây.

Cầm chặt cả hai tay lên cưa và điều chỉnh vị trí cánh tay để chịu phản lực. Đứng sang một bên của lưỡi cưa, chứ không phải thẳng hàng với lưỡi cưa. Phản lực có thể khiến cưa bị nảy ngược lại, nhưng nó cũng có thể được kiểm soát bởi người vận hành nếu các biện pháp để phòng an toàn được áp dụng.

Khi lưỡi cưa bị kẹt, hoặc khi gián đoạn một vết cắt vì bất cứ lý do gì, hãy nhả cò và giữ cưa cố định trong vật liệu cho đến khi lưỡi cưa dừng hoàn toàn. Không bao giờ rút cưa ra khỏi vị trí gia công hoặc kéo cưa ngược lại khi lưỡi cưa đang chuyển động hoặc có nguy cơ xảy ra phản lực. Kiểm tra và có biện pháp điều chỉnh để loại bỏ nguyên nhân gây kẹt lưỡi cưa.

Khi khởi động lại cưa trong vật gia công, đặt lưỡi cưa vào trung tâm vết cưa để răng lưỡi cưa không chạm vào vật liệu. Nếu lưỡi cưa bị kẹt, nó có thể đi lên hoặc bắn ra khỏi vật gia công khi cưa được khởi động lại.

Đặt vật kê / gối dưới các ván rộng để giảm thiểu nguy cơ lưỡi cưa bị mất kẹt hay nảy ra. Các ván rộng thường sẽ xếp xuống do trọng lượng của chúng. Giá đỡ phải được đặt bên dưới ván ở cả hai bên, gần đường cắt và gần cạnh ván.

Không sử dụng lưỡi cưa cũn hoặc bị hư hại. Lưỡi cưa không sắc hoặc được đặt sai cách sẽ tạo ra các vết cắt nông, gây ra ma sát lớn, làm kẹt lưỡi cưa và phản lực.

Độ sâu lưỡi cưa và khóa nâng điều chỉnh góc xiên phải được cố định chặt chẽ trước khi tiến hành cắt. Nếu mức điều chỉnh lưỡi cưa bị dịch chuyển trong khi cắt, nó có thể gây kẹt và phản lực.

Cần chú ý đặc biệt khi cưa vào các bức tường có sẵn hoặc các điểm mù khác. Lưỡi cưa nhô ra có thể cắt vào các vật thể gây phản lực.

CHỨC NĂNG CỦA TẤM CHẮN DƯỚI

Kiểm tra rằng tấm chắn dưới đã được đóng đúng cách trước mỗi lần sử dụng. Không vận hành cưa nếu tấm chắn dưới không di chuyển tự do và đóng lại tức thì. Không bao giờ kẹp hoặc cố định tấm chắn dưới vào vị trí mở. Nếu cưa bị rơi đột ngột, tấm chắn dưới có thể sẽ bị cong. Nâng tấm chắn dưới bằng tay rút và đảm bảo nó có thể di chuyển tự do và không chạm vào lưỡi cưa hay bất cứ thành phần nào khác, trong tất cả các góc và độ sâu vết cắt.

Kiểm tra hoạt động của lò xo của tấm chắn dưới. Nếu tấm chắn và lò xo không vận hành đúng cách, chúng phải được bảo dưỡng trước khi sử dụng. Tấm chắn dưới có thể vận hành chậm do các bộ phận bị hư hại, dính nhựa hoặc tích lũy vật ngoại lai.

Tấm chắn dưới chỉ có thể được rút thủ công cho các vết cắt đặc biệt như "cắt chìm" và "cắt phưc hợp". Dùng tay rút để nâng tấm chắn dưới và giải phóng tấm chắn dưới ngay khi lưỡi cưa được đưa vào vật liệu. Cho tất cả mọi thao tác cưa khác, tấm chắn dưới nên vận hành một cách tự động.

Luôn kiểm tra rằng tấm chắn dưới đang che lưỡi dao trước khi đặt cưa xuống ghế hoặc sàn nhà. Một lưỡi cưa không được bảo vệ và đang chạy sẽ khiến cưa di chuyển ngược lại và cắt mọi thứ trên đường đi của nó. Hãy chú ý đến thời gian cần thiết để lưỡi cưa dừng hẳn lại sau khi nhả công tắc.

HƯỚNG DẪN AN TOÀN VÀ HOẠT ĐỘNG BỔ SUNG

Đeo thiết bị bảo vệ tai. Tiếp xúc với tiếng ồn có thể gây điếc.

Sử dụng thiết bị bảo hộ. Luôn đeo kính bảo vệ khi làm việc với máy. Mặc quần áo bảo hộ, ví dụ như khẩu trang chống bụi, găng tay bảo hộ, giày bảo hộ chống trượt, mũ bảo hộ, và đai tai bảo hộ.

Bụi sinh ra khi sử dụng dụng cụ này có thể có hại cho sức khỏe. Không hít bụi. Dùng hệ thống hút bụi và đeo mặt nạ bảo vệ chống bụi thích hợp. Loại bỏ hoàn toàn bụi lắng lại, ví dụ bằng máy hút bụi.

Không sử dụng các lưỡi cưa khác với dữ liệu quan trọng được cung cấp trong các hướng dẫn sử dụng này.

Chọn một lưỡi cưa phù hợp với vật liệu được cắt.

Chỉ sử dụng các lưỡi cưa cắt sắt được quy định trong sách hướng dẫn này.

Tốc độ định mức tối thiểu của phụ kiện phải bằng với tốc độ tối đa được ghi trên sản phẩm. Các phụ kiện nhanh hơn tốc độ định mức của chúng có thể bị vỡ và bắn mảnh.

Không sử dụng đá mài trong sản phẩm.

Nếu bộ lưỡi cưa bị nứt hoặc vỡ, nó phải được thay thế ngay lập tức bởi một trung tâm bảo dưỡng được ủy quyền. Không được vận hành sản phẩm nếu bộ lưỡi cưa bị hỏng hoặc không có.

Không sửa công tắc bật/tắt khi sử dụng sản phẩm ở chế độ cầm tay.

Tháo bình pin trước khi bắt đầu thao tác với sản phẩm.

Không tháo bỏ các pin cũ theo rác thải sinh hoạt hoặc đốt chúng. Các nhà phân phối MILWAUKEE đề nghị được lấy lại các pin cũ để bảo vệ môi trường của chúng ta.

Không bảo quản pin cùng với vật dụng kim loại (nguy cơ ngắn mạch).

Chỉ sử dụng các bộ sạc M18 System để sạc pin M18 System. Không sử dụng pin từ các hệ thống khác.

Không bao giờ phá vỡ các pin và bộ sạc, và chỉ bảo quản chúng trong các phòng khô. Luôn đảm bảo các pin và bộ sạc được khô.

Axit trong pin có thể rò rỉ từ pin bị hư hại trong điều kiện nhiệt độ khắc nghiệt hoặc tải quá nặng. Nếu bị tiếp xúc với axit trong pin, hãy rửa ngay lập tức bằng xà phòng và nước. Trong trường hợp axit tiếp xúc với mắt, hãy rửa sạch trong ít nhất 10 phút và ngay lập tức đi khám bác sĩ.

CẢNH BÁO! Không bao giờ vận hành sản phẩm khi chưa lắp các tấm chắn và hộp đựng mùn cưa. Điều này có thể gây chấn thương nghiêm trọng.

Để giảm nguy cơ chấn thương, hãy đeo Kính bảo hộ hoặc Kính có lá chắn ở bên khi tháo hộp đựng mùn cưa. Mạt và vật ngoại lai có thể bắn vào mặt bạn.

CÁC CẢNH BÁO AN TOÀN BỔ SUNG CHO PIN

⚠ CẢNH BÁO! Để giảm nguy cơ hỏa hoạn, chấn thương cá nhân và hư hại sản phẩm do ngắn mạch, không bao giờ nhúng sản phẩm, pin hay bộ sạc trong chất lỏng hoặc cho phép chất lỏng xâm nhập vào chúng. Các chất lỏng ăn mòn hoặc dẫn điện, ví dụ như nước biển, một số hóa chất công nghiệp, và chất tẩy hoặc sản phẩm chứa chất tẩy, v.v., đều có thể gây ngắn mạch.

HƯỚNG DẪN LÀM VIỆC

Điều chỉnh tốc độ tịnh tiến lưỡi cưa để tránh làm nóng đầu lưỡi cưa.

ĐIỀU KIỆN SỬ DỤNG CỤ THỂ

Cura cắt kim loại có thể được sử dụng để cắt theo chiều dọc và cắt góc nghiêng 45 độ nhiều loại kim loại, ví dụ như mặt nghiêng kim loại (UNISTRUT), đường ống, thanh kim loại đứng, máng, mặt nghiêng nhôm, tấm kim loại, v.v...

Không sử dụng sản phẩm cho bất kỳ mục đích nào khác.

BẢO VỆ QUÁ TẢI

Bảo vệ quá tải sẽ tự động tắt sản phẩm khi động cơ bị quá tải. Sản phẩm có thể bị quá tải khi sử dụng một lưỡi cưa cũn hoặc cắt vật liệu quá nhanh, hoặc cắt các kim loại cứng như thép không gỉ. Để không kích hoạt bộ bảo vệ quá tải, hãy luôn sử dụng một lưỡi cưa sắc. Không cố gắng vượt quyền bộ bảo vệ quá tải.

Nếu sản phẩm bị tắt tự động:

1. Nhả cò ra và tháo pin.
2. Lấy lưỡi cưa ra khỏi vật gia công.
3. Để sản phẩm nghỉ trong tối thiểu 2 phút.
4. Cho phép sản phẩm chạy không tải để đảm bảo sản phẩm đã đủ mát.
5. Tiếp tục cắt. Khi khởi động lại cưa trong vật gia công, đặt lưỡi cưa vào trung tâm vết cưa hoặc cắt, và kiểm tra rằng lưỡi cưa không chạm vào vật liệu. Nếu lưỡi cưa bị kẹt, nó có thể đi lên hoặc bắn ra khỏi vật gia công khi cưa được khởi động lại.

PHANH ĐIỆN

Phanh điện sẽ kích hoạt khi cò được nhả ra, khiến lưỡi cưa dừng lại và cho phép bạn tiếp tục với công việc của mình. Thông thường, lưỡi cưa sẽ dừng trong 2 giây. Tuy nhiên, có thể sẽ có một độ trễ từ lúc bạn nhả cò đến khi phanh được kích hoạt. Đôi khi, phanh có thể không được kích hoạt. Nếu phanh thường xuyên không kích hoạt, bạn cần bảo dưỡng cưa tại một cơ sở bảo dưỡng được ủy quyền tại MILWAUKEE. Luôn chờ lưỡi cưa được dừng hoàn toàn trước khi rút cưa ra khỏi vật gia công.

PIN

Các pin chưa được sử dụng trong một thời gian dài nên được sạc lại trước khi sử dụng.

Nhiệt độ vượt quá 50°C (122°F) làm giảm hiệu năng của pin. Tránh tiếp xúc trong thời gian dài với nhiệt độ hoặc ánh nắng mặt trời (nguy cơ quá nhiệt).

Các đầu tiếp xúc của bộ sạc và pin phải được giữ sạch.

Để có tuổi thọ tối ưu, các pin phải được sạc đầy sau mỗi lần sử dụng.

Để đảm bảo thời lượng pin lâu nhất có thể, hãy rút pin ra khỏi bộ sạc sau khi nó được sạc đầy.

Để bảo quản pin lâu hơn 30 ngày:

- Bảo quản pin ở nơi khô, có nhiệt độ dưới 27°C.
- Bảo quản pin trong điều kiện sạc 30% - 50%
- Sau mỗi 6 tháng bảo quản, sạc pin như bình thường.

BẢO VỆ PIN

Trong các tình huống mômen xoắn cao, kẹt, kẹt và ngắn mạch có thể tăng cường độ dòng điện, sản phẩm sẽ dừng khoảng 2 giây, và sau đó sản phẩm bị tắt. Để đặt lại, hãy nhả cò ra.

Trong các tình huống khắc nghiệt, nhiệt độ bên trong của pin có thể trở nên quá cao. Nếu điều này xảy ra, pin sẽ tự ngắt. Sạc pin và khởi động lại nó.

VẬN CHUYỂN PIN LITHIUM

Các pin lithium-ion cần tuân thủ Luật về Hàng hóa Nguy hiểm.

Việc vận chuyển các pin này phải được thực hiện theo các điều kiện và quy định của địa phương, quốc gia và quốc tế.

- Pin có thể được vận chuyển bằng đường bộ mà không có yêu cầu nào khác.
- Việc vận chuyển thương mại pin lithium-ion bởi các bên thứ ba cần tuân thủ quy định về Hàng hóa Nguy hiểm. Việc chuẩn bị vận chuyển và vận chuyển cần được thực hiện bởi những người được đào tạo phù hợp và quy trình này phải được giám sát bởi các chuyên gia trong ngành.

Khi vận chuyển pin:

- Đảm bảo các đầu tiếp xúc của pin được bảo vệ và cách điện để ngăn ngắn mạch.
- Đảm bảo pin được cố định để không di chuyển trong bao bì.
- Không vận chuyển các pin bị nứt hoặc rò rỉ.

Kiểm tra với công ty chuyển tiếp để được tư vấn thêm.

BAO TRÌ

Các khe thông gió của sản phẩm lúc nào cũng phải sạch sẽ.

Hãy đảm bảo bạn đã ngắt sản phẩm ra khỏi nguồn điện trước khi gắn hoặc tháo lưới cửa.

Vệ sinh sản phẩm và hệ thống tấm chắn bằng khăn khô. Một số dung dịch và chất vệ sinh nhất định có thể gây hại cho nhựa và các bộ phận cách điện khác. Luôn giữ cho tay cầm sản phẩm được sạch, khô và không dính dầu mỡ. Kiểm tra chức năng của các tấm chắn. Việc bảo trì và vệ sinh thường xuyên sẽ đảm bảo tuổi thọ lâu dài và xử lý an toàn cho sản phẩm.

Thường xuyên loại bỏ bụi. Loại bỏ mùn cửa tích lũy trong cửa để tránh nguy cơ hỏa hoạn.

Chỉ sử dụng các phụ kiện và phụ tùng thay thế của MILWAUKEE. Không được thay thế các thành phần theo những cách không được mô tả ở đây, vui lòng liên hệ một trong những đại lý dịch vụ MILWAUKEE của chúng tôi (xem danh sách địa chỉ bảo hành/dịch vụ của chúng tôi).

Nếu cần, có thể yêu cầu xem hình vẽ mô tả chi tiết các bộ phận. Vui lòng nêu rõ số sê-ri cũng như loại sản phẩm được in trên nhãn và yêu cầu bản vẽ tại các trung tâm dịch vụ địa phương của bạn.

n_0 Tốc độ không tải

V Vôn

 Dòng điện một chiều

 Hướng xoay

BIỂU TƯỢNG



CHÚ Ý! CẢNH BÁO! NGUY HIỂM!



Tháo pin trước khi bắt đầu thao tác với sản phẩm.



Vui lòng đọc cẩn thận hướng dẫn trước khi sử dụng máy.



Đeo găng tay.



Đeo thiết bị bảo vệ tai.



Luôn đeo kính bảo vệ khi sử dụng sản phẩm.



Sử dụng khẩu trang chống bụi phù hợp.



Phụ tùng - Không bao gồm trong thiết bị tiêu chuẩn, có sẵn là phụ kiện.



Không vứt bỏ các dụng cụ điện, pin/pin có thể sạc lại cùng với rác thải sinh hoạt. Các dụng cụ điện và pin đã hết hạn sử dụng phải được thu gom riêng và đưa về một cơ sở tái chế phù hợp với môi trường. Xác nhận với chính quyền địa phương hoặc nhà bán lẻ để được tham vấn về việc tái chế và điểm thu gom.

回転数	4000/min
のこ刀径 x 穴径	203 x 15.87 mm
のこ刃厚さ	1.8 mm
刃歯	42
最大切り込み深さ	66 mm
最大切断性能	
鋼板	25 mm
角鉄	63.5 x 63.5 x 6.35 mm
金属管	ø 50 mm
形鋼	66 mm
スチールスタッド	2.5 mm
バッテリー電圧	18 V
バッテリーを除外した重量	6.0 kg
本体重量(リチウムイオン2.0 Ah – 12.0 Ahバッテリー装着時)(EPTA 01/2014準拠)	6.4 kg – 7.5 kg
推奨周囲動作温度	-18 °C – +50 °C
推奨バッテリータイプ	M18B, M18 HB
推奨充電器	M12-18C, M12-18FC, M12-18AC, M12-18C3

騒音/振動情報

騒音値(EN 62841に従い測定)

A特性音圧レベル	97.2 dB(A)
不確かさ K	3 dB (A)
A特性音響パワーレベル	108.2 dB(A)
不確かさ K	3 dB (A)

耳栓を使用してください。

総振動値(3軸のベクトル和)(EN 62841に従い測定)

振動放出値 ah

金属のこぎり	1.1 m/s ²
不確かさ K	1.5 m/s ²

警告!

本情報シートに記載されている振動/騒音放射レベルは、EN 62841の所与の標準検査に従って測定されたものであり、ある工具と別の工具を比較するために使用することができます。暴露の予備評価にも使用できます。

公表された振動/騒音放射レベルは、工具の主な用途を表しています。ただし、工具が異なる用途に使用され、付属品が異なっている、メンテナンスが不十分であるなどの場合は、振動/騒音放射が異なる場合があります。これにより、総作業期間にわたる暴露レベルが大幅に増加する可能性があります。

振動/騒音暴露レベルの概算を出す場合、工具のスイッチが切っている時間、または実際にジョブを実行していないが作動している時間も考慮する必要があります。これにより、総作業期間にわたる暴露レベルが大幅に減少する可能性があります。

振動/騒音の影響からオペレーターを保護するために、次のような追加安全対策を確認してください：工具と付属品のメンテナンスを行う、手を温かく保つ、作業パターンを整理する。

⚠ 警告! 本製品で提供されているすべての安全警告、指示、図、仕様をお読みください。下記のすべての指示に従わない場合、感電や火災が発生したり、重傷を負う可能性があります。

今後の参考のために、すべての警告と指示を保存します。

⚠ 丸のこの安全警告

切断手順

⚠ 危険! 切断エリアと刃に手を近づけないでください。補助ハンドルまたはモーターハウジングにもう片方の手を置きます。のこぎりを両手で握ってれば、刃で手が切れることはありません。

ワークピースの下に手を出さないでください。保護カバー

は、ワークピースの下に出ている刃から手指を保護することはできません。

ワークピースの厚さに合わせて切り込み深さを調整してください。刃歯の全歯ではなく一部がワークピースの下に見えるはずです。

ワークピースを手の中で切断することや、切断中に脚を横切る位置に置くことは絶対にしないでください。ワークピースは安定した台に固定します。本体露出、刃の拘束、制御不能を最小限に抑えるには、作動部を適切に支えることが重要です。

隠し配線に切断用工具が接触する可能性のある操作を行うときは、絶縁グリップ面で電動工具を支えてください。「通電」中の電線に接触している切断用付属品が電動工具の露出金属部を「通電」させることがあり、その場合、オペレーターを感電させることがあります。

縦ぎするときは、必ずリップフェンスか直線定規ガイドを使用してください。こうすることで、切断精度が向上し、刃が拘束される確率が下がります。

必ず適切な寸法と形状（ひし形または円形）のアーパー穴のある刃を使用してください。のこぎりの取り付け用ハードウェアと一致しない刃は、偏心して動作し、制御不能を引き起こします。

刃のワッシャーまたはボルトが破損している場合や間違っている場合は、絶対に使用しないでください。刃のワッシャーとボルトは、のこぎりの最適性能と操作の安全性を実現するために、特別に設計されています。

キックバックの原因と関連する警告

- キックバックは、のこ刃が挟まれたり、詰まったり、位置がずれたりしたときに突然発生する反応です。制御不能になったのこぎりがワークピースから浮き上がって外れ、オペレーターのほうに飛び出す原因になります。
- カーフが閉じて刃が挟まれたり、きつく拘束されたりすると、刃の動きが止まり、モーターの反応によってユニットがオペレーターのほうにすばやく押し戻されます。
- 切断時に刃がねじれ食い、刃の位置がずれたりすると、刃の後端の歯が金属の上面に食い込み、刃がカーフから抜けて、オペレーターのほうに戻されます。

キックバックは、のこぎりの誤用と不適切な操作手順/状態の結果であり、以下に示す適切な予防策を講じることで回避できます。

のこぎりを両手でしっかり握り、両腕はキックバックの勢い抵抗できる形でかまえます。刃の延長線上に立つのではなく、刃のどちらかのサイドに立ってください。キックバックが発生するとのこぎりが後方に飛び出す場合がありますが、適切な予防策を講じておけば、オペレーターがキックバックの勢いを制御できます。

刃が拘束されているときや、何らかの理由で切断を中断しているときは、トリガーを解除し、刃が完全に停止するまでのこぎりを動かさないでください。刃が動いている間は、キックバックが発生する場合がありますため、のこぎりを作動部から取り外したり、後方に引っ張ったりしないでください。刃が拘束される原因を取り除くために、調査して是正策を講じてください。

ワークピースでのこぎりを再起動するときは、のこぎりの歯が材料に係合しないように、のこ刃をカーフの中心に置きます。のこ刃が拘束されると、のこぎりを再起動するときワークピースから上に跳ねたり、キックバックしたりすることがあります。

大型パネルを支えて、刃の挟み込みやキックバックが発生する危険性を最小限に抑えてください。大型パネルは自重でたわむ傾向があります。支持具は、パネルの両サイドの下で、切断線の近く、パネル端の近くに配置する必要があります。

切れ味の悪い刃や損傷した刃は使用しないでください。刃が鋭くならないかたたり、不適切にセッティングされていると、カーフが狭くなり、過度の摩擦、ブレードの拘束、キックバックを引き起こします。

切断を始める前に、刃の深さと傾斜を調整するロックレバーをしっかりと固定する必要があります。切断中にブレードの調整がずれると、拘束やキックバックを引き起こすことがあります。

壁などの死角がある場所をのこぎりで切るときは、特に注意してください。突き出た刃によって、キックバックを引き起こす可能性のある物体が切断されることがあります。

下部保護カバーの機能

使用する前に、下部保護カバーが正しく閉じられているかを確認してください。下部保護カバーが自由に動いて簡単に閉じない場合は、のこぎりを操作しないでください。下部保護カバーを開いた位置で締めつけたり固定したりしないでください。誤ってのこぎりを落としした場合、下部保護カバーが曲がる場合があります。引き込みハンドルで下部保護カバーを上げて、下部保護カバーが自由に動き、どの角度と切り込み深さでも刃やその他の部分に接触しないことを確認します。

下部保護カバーのスプリングの動作を確認します。保護カバーとスプリングが適切に動作していない場合は、使用前に整備する必要があります。下部保護カバーは、部品の損傷、粘着性の堆積物、あるいは破片の蓄積により、動作が遅くなる場合があります。

下部保護カバーは、「フランチカット」や「複合切削」などの特別な切断方法でのみ、手動で引き込むことができます。引き込みハンドルで下部保護カバーを上げて、刃が材料に入り始めたらすぐに、下部保護カバーを解放する必要があります。他のすべての切断方法では、下部保護カバーが自動的に作動します。

のこぎりを作業台や床に置く前に、下部保護カバーが刃を覆っていることを必ず確認してください。保護されていない惰行運転中の刃は、のこぎりを後方に進ませて、その進路にあるものをすべて切断します。スイッチを離してから刃が停止するまでに時間がかかることに注意してください。

追加の安全上の注意事項および作業指示

耳栓を使用してください。騒音にさらされると、難聴を起こすことがあります。

保護具を使用してください。この製品で作業をするときは、必ず保護メガネを着用してください。防塵マスク、保護手袋、滑らない頑丈な履物、ヘルメット、防音具などの防護服を着用してください。

粉塵を吸い込まないでください。適切な防塵マスクを着用してください。吸塵システムを使用し、適切な防塵マスクを着用してください。掃除機などを使用して、付着したほこりを完全に取り除きます。

これらの使用説明に記載されている主要データに対応していないのこぎりは使用しないでください。

切断する材料に適したのこ刃を選択してください。

この取扱説明書で指定されている金属加刃のみを使用してください。

付属品の定格回転速度は、最低でも製品に記載されている最高回転速度と同じでなければなりません。定格回転速度よりも速く動作する付属品は、壊れて飛び散る可能性があります。

本製品に摩擦したディスクを使用しないでください。

のこ刃カバーにひびが入ったり壊れたりした場合は、直ちに認定サービスセンターで交換してください。のこ刃カバーに欠陥がある場合や紛失している場合は、製品を動作させないでください。

製品を手で握りながら使用している間は、オン/オフスイッチを固定しないでください。

製品のメンテナンス、アクセサリを交換する前に、バッテリーパックを取り外してください。

使用済みのバッテリーパックは家庭ゴミと一緒に廃棄したり、燃やさないでください。ミルウォーキー (MILWAUKEE) 販売店では、環境保護のために古いバッテリーを回収いたします。

金属片などと一緒にバッテリーパックを保管しないでください。ショートの危険性があります。

M18システム・バッテリーの充電には、M18システムの充電器しか使用できません。別のシステムのバッテリーと混ぜて使用しないでください。

バッテリーと充電器は絶対に分解しないでください。バッテリーと充電器は湿度の低い屋内で保管してください。

極端な負荷や温度によってバッテリーが損傷し、液漏れが発生する場合があります。漏れ出た液と接触した場合は、直ちに石鹸と水で洗い流してください。目に入った場合は、少なくとも10分間流水ですすいだし、直ちに医師の診察を受けてください。

警告！漏電による火災、人的損傷、製品破損のリスクを軽減するために、製品、バッテリーパック、充電器を液体に浸したり、液体を流入させたりすることは絶対にしないでください。海水、特定の工業用化学物質、漂白剤または漂白剤を含む製品などの腐食または伝導性誘導体は、漏電の原因となることがあります。

警告！保護カバーと切粉台車を取り付けられていないときは、絶対に製品を操作しないでください。重傷を負う可能性があります。

怪我の危険性を減らすために、切粉台車を取り外すときは、サイドシールド付きの安全ゴーグルか眼鏡を着用してください。切粉や破片が顔に向かって舞い上がることがあります。

作業手順

刃先の過熱を避けるために、送り速度に合わせてください。

特定の使用条件

金属のこぎりは、金属側面 (ユニストラット)、パイプ、金属スタッド、チャンネル、アルミニウム側面、金属板などのさまざまな金属を縦方向に切断し、マイター接続するために使用できます。

本製品を他の用途では使用しないでください。

過負荷防止

過負荷防止装置は、モーターに負荷がかかり過ぎると自動的に電源がオフになります。本製品は、切れ味の悪い刃を使用したり、材料を急いで切断したり、ステンレス鋼などの硬い金属を切断したりすると、過負荷になる可能性があります。過負荷防止装置が作動しないように、常に鋭利な刃を使用してください。過負荷防止装置を無効にしようとししないでください。

製品が自動的にオフになったら：

1. トリガーを解除し、バッテリーパックを取り外します。
2. 刃をワークピースから取り外します。
3. 製品を最低2分間放置します。
4. 製品を無負荷で作動させ、製品がきちんと冷えるようにします。
5. 切断を再開します。ワークピースでのこぎりを再起動するときは、のこ刃をカーフまたは切り口の中心に置き、のこぎりの歯が材料に係合していないことを確認しま

す。のこ刃が拘束されていると、のこぎりを再起動するときにワークピースから上に跳ねたり、キックバックしたりすることがあります。

電気ブレーキ

トリガーを解除すると電気ブレーキが作動して刃が停止するため、オペレーターが作業を続行できるようになります。通常、のこ刃は2秒以内に停止します。ただし、トリガーを解除してからブレーキが作動するまでに遅れが生じることがあります。時折、ブレーキがまったく効かないことがあります。ブレーキミスが頻繁に起こる場合は、のこぎりをミルウォーキーの認定サービス施設で整備する必要があります。必ず刃が完全に停止するのを待ってから、のこぎりをワークピースから取り外してください。

バッテリー

しばらく使用していなかったバッテリーパックは使用前に再度充電を行ってください。

50°C (122°F) を超える温度下ではバッテリーパックの性能が低下します。直射日光や高熱に長時間さらさないようにしてください (オーバーヒートの危険性があります)。

充電器とバッテリーの接点を清潔に保ってください。

最適な寿命を保つため、使用後はバッテリーパックを完全に充電してから保管してください。

バッテリー寿命を最大に保つためにバッテリーをフル充電してから充電器から取り外してください。

バッテリーパックを30日以上保管する場合：

- 温度27度未満で湿気がない場所に保管する。
- 30～50%の充電状態で保管する。
- 6ヶ月に1回、通常通りに充電する。

バッテリーパックの保護

極めて高いトルク、ビンディング、停動、および高電流を引き起こす短絡状態では、製品は約2秒間停止してからオフになります。リセットするには、トリガーを解除してください。

過酷な環境下では、バッテリー内の温度が過剰に上昇する場合があります。この場合、バッテリーはシャットダウンします。バッテリーを充電し、リセットします。

リチウムバッテリーの輸送

リチウムイオンバッテリーは、危険物規制の要件の対象となります。

このバッテリーの輸送は、地域、国、および国際的な規定および規制に従って行わなければなりません。

- バッテリーの地上輸送には、それ以上の要件はありません。
- 第三者によるリチウムイオンバッテリーの商業輸送には、危険物規制が適用されます。輸送の準備と輸送は、適切な訓練を受けた人員のみが実施し、その作業には対応する専門家の同行が必要です。

バッテリーを輸送する場合：

- バッテリーの接触端子は、漏電を防ぐために保護と絶縁の処理がされていることを確認してください。
- バッテリーパックがパッケージ内で動かないように固定されていることを確認してください。
- ひびが入ったり液漏れが発生しているバッテリーは輸送しないでください。

詳細については、運送会社に確認してください。

メンテナンス

充電の際、充電器の排気口を塞がないでください。

のこ刃の着脱は、必ず製品を電源から切断してから行ってください。

製品と保護システムを乾いた布で拭きます。特定の洗浄剤と溶剤は、プラスチックなどの絶縁部にとって有害です。製品のハンドルは清潔で乾燥した状態に保ち、漏油やグリースが付着しないようにしてください。保護カバーの機能を確認します。定期的なメンテナンスとクリーニングによって、長期的にわたり安全に操作することが可能になります。

定期的にほこりを払ってください。のこぎりの内部に溜まったおがくずを取り除き、火災の危険性を回避してください。

ミルウォーキー (MILWAUKEE) の純正アクセサリーとサービスパーツをご使用ください。修理、アクセサリーに関してご不明な点がございましたら、当社並びに販売元までお問い合わせください。

必要に応じて、製品の分解立体図をご注文いただけます。製品タイプとシリアル番号をラベルにご記入のうえ、お近くのサービスセンターで分解立体図をご注文ください。



直流



回転方向

記号



注意! 警告! 危険!



製品のメンテナンス、アクセサリーを交換する前に、バッテリーパックを取り外してください。



製品の使用を開始する前に、指示を注意深くお読みください。



手袋を着用してください。



耳栓を使用してください。



製品を使用する際は、必ずゴーグルを着用してください。



人体に悪影響を及ぼす物質の近くで製品を使用しないでください。



アクセサリー — 製品には含まれていません。別途お買い求めください。



電動工具、バッテリー/充電式バッテリーを家庭廃棄物と一緒に廃棄しないでください。寿命に達した電動工具とバッテリーは、個別に回収し、リサイクルを行ってください。リサイクルに関しましては、お住いの自治体または販売店までご相談ください。

n_0 回転数

V ボルト

