

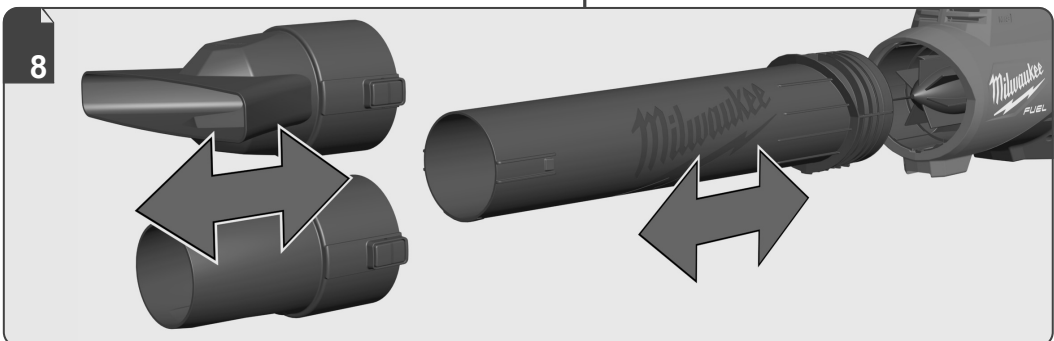
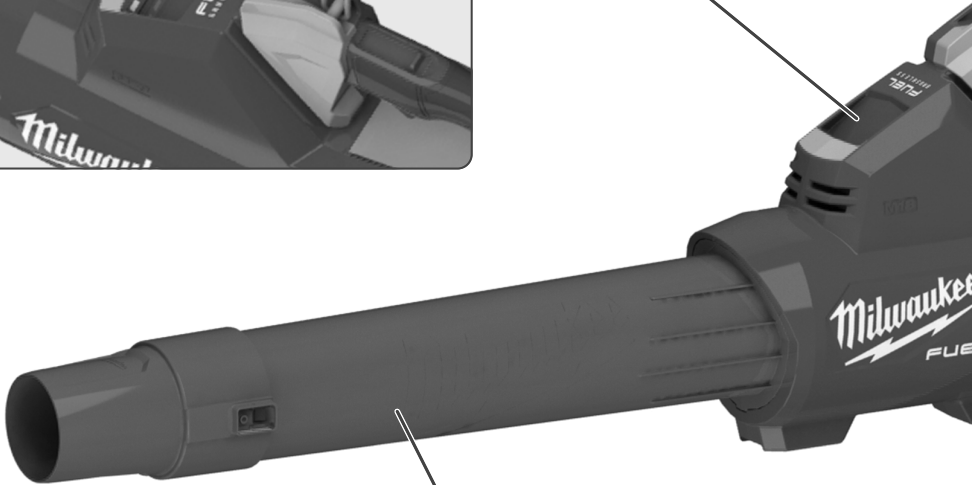
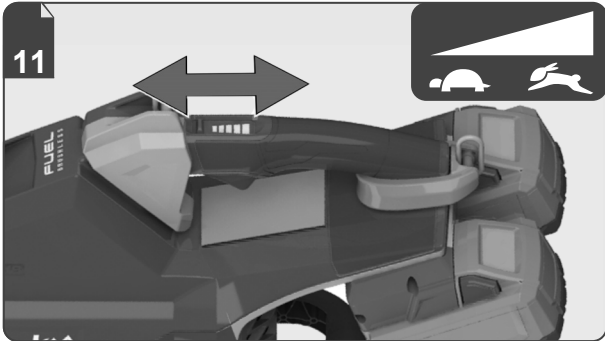


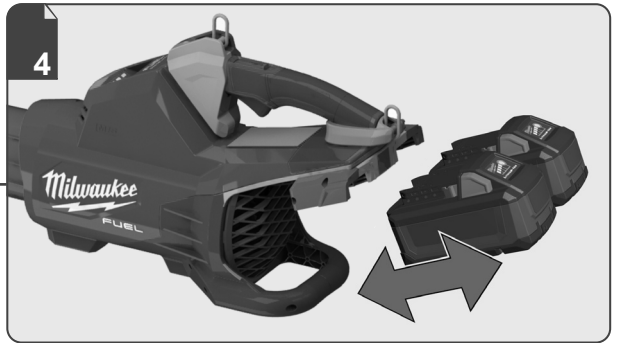
Nothing but **HEAVY DUTY.**[™]

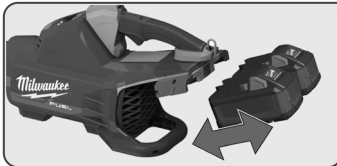


M18 F2BL

- ⓔⓃ User Manual
- ⓐⓗ 操作指南
- ⓐⓗ 操作指南
- ⓐⓐ 사용시 주의사항
- ⓐⓗ คู่มือการใช้งาน
- ⓐⓓ Buku Petunjuk Pengguna
- ⓐⓓ Cẩm nang hướng dẫn sử dụng
- ⓐⓙ ユーザーマニュアル







Remove the battery pack before starting any work on the product.

在產品上開始任何工作之前，請先取出電池組。

在产品上开始任何工作之前，请先取出电池组。

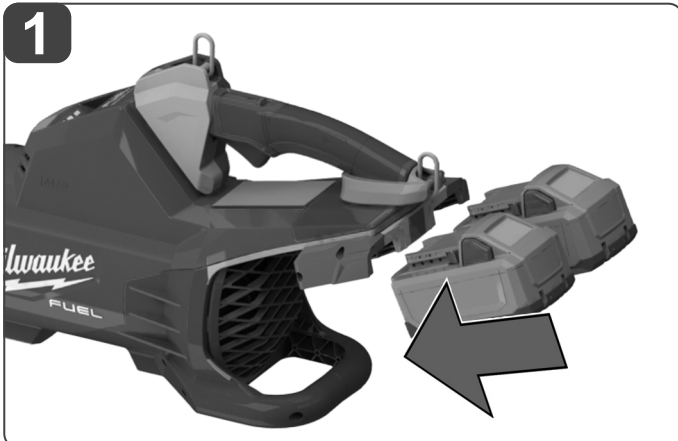
제품 사용 전, 배터리 팩을 제거하십시오.

ถอดชุดแบตเตอรี่ออกก่อนเริ่มการทำงานใด ๆ กับผลิตภัณฑ์

Lepaskan paket baterai sebelum memulai pekerjaan apa pun pada produk.

Tháo pin trước khi bắt đầu thao tác với sản phẩm.

製品のメンテナンス、アクセサリを交換する前に、バッテリーパックを取り外してください。



Click คลิก
啪嗒聲 Klik
啪嗒声 Tiếng tách
딸깍 클리크



The product only runs with 2 battery packs.

須使用 2 個電池組才能夠運行本產品。

須使用 2 个电池组才能够运行本产品。

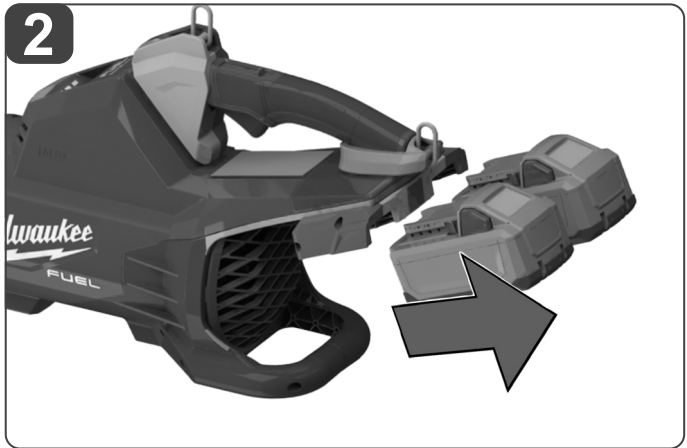
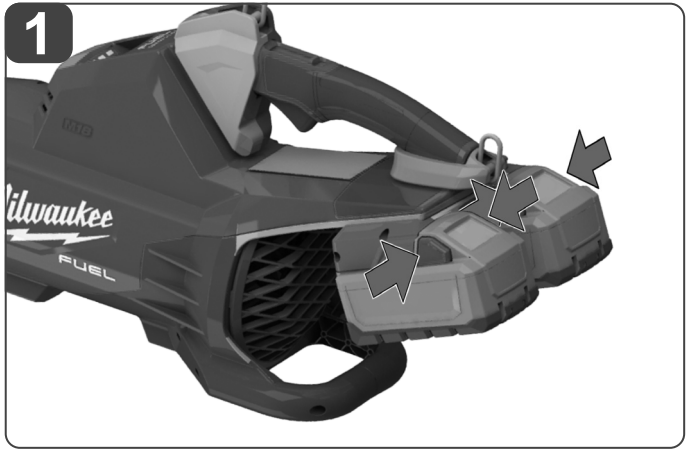
이 제품은 2개의 배터리만으로 작동합니다.

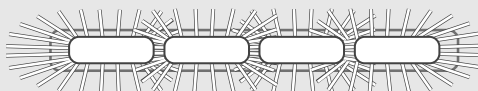
ผลิตภัณฑ์นี้ทำงานด้วยแบตเตอรี่ 2 ก้อนเท่านั้น

Produk ini dijalankan hanya dengan 2 baterai.

Sản phẩm chỉ chạy với 2 pin.

本製品は2個のバッテリーのみで動作します。





Flashing slowly

緩慢閃爍

緩慢閃爍

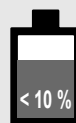
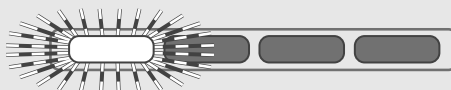
천천히 점멸

ထိထိကားပျက်ချော

Berkedip dengan perlahan

Nhấp nháy chậm

遅い点滅



Flashing quickly

快速閃爍

快速閃爍

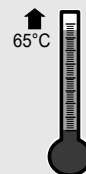
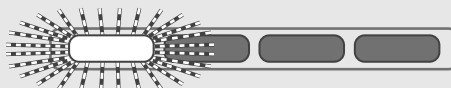
빠르게 점멸

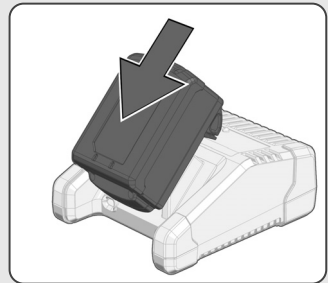
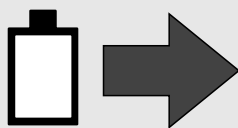
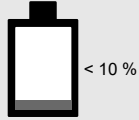
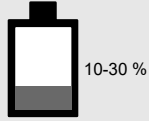
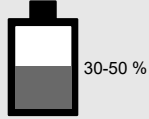
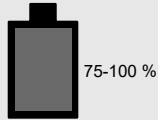
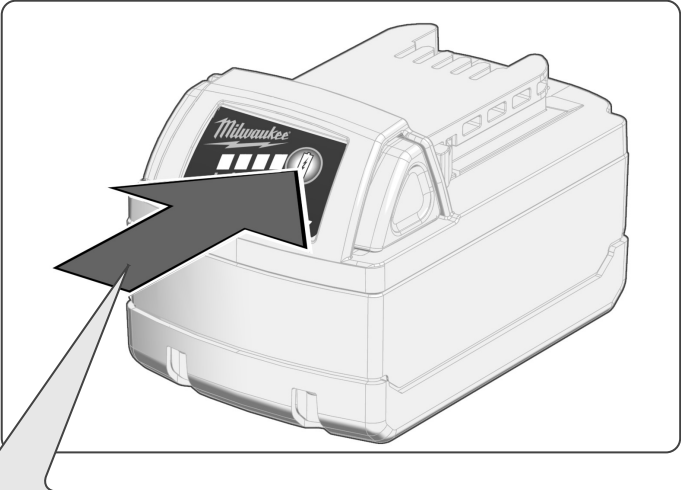
ထိထိကားပျက်မြန်

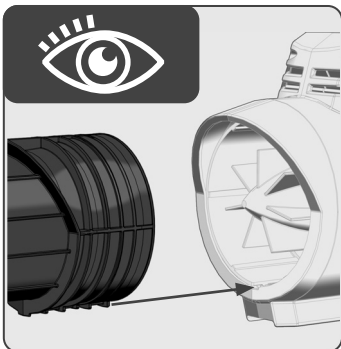
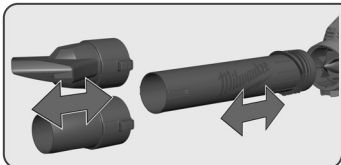
Berkedip dengan cepat

Nhấp nháy nhanh

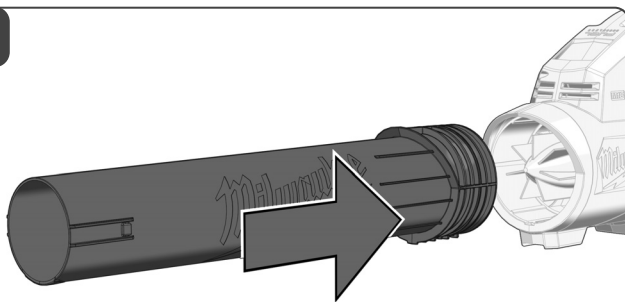
早い点滅





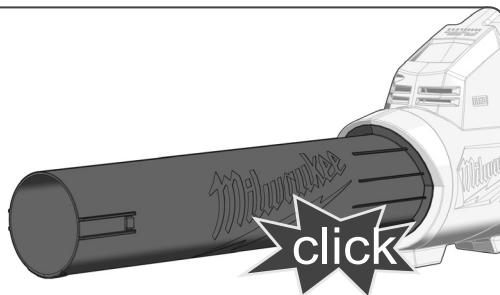


1

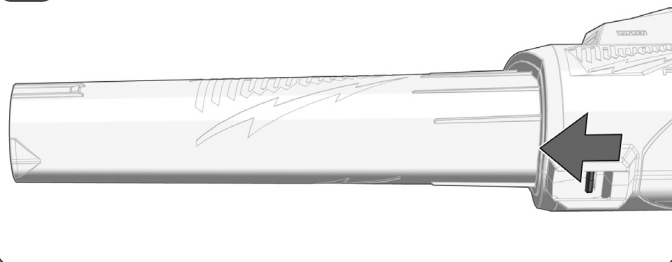


2

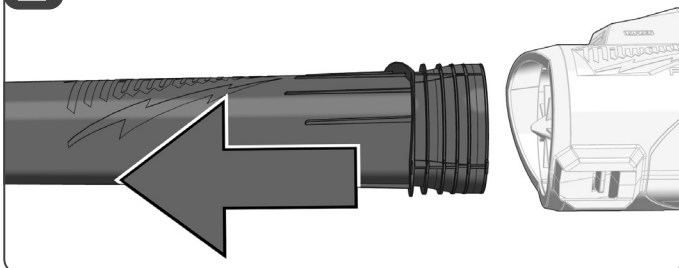
Click
啪嗒聲
딸깍
click
Klik
Tiếng tách
クリック

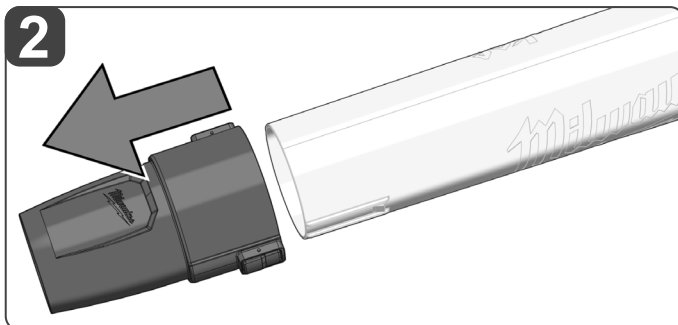
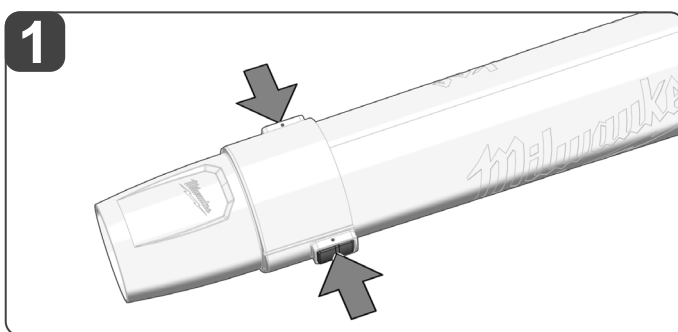
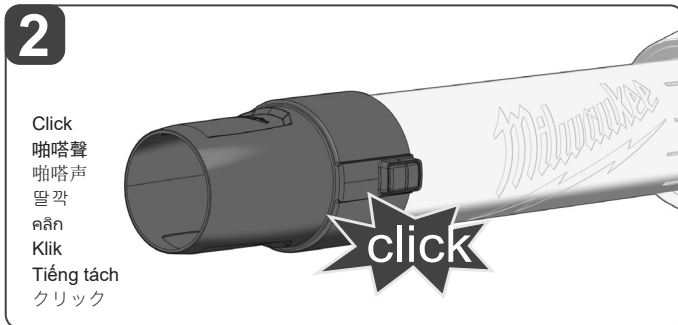
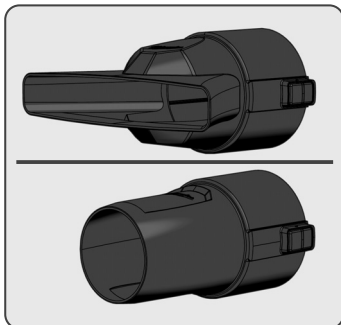
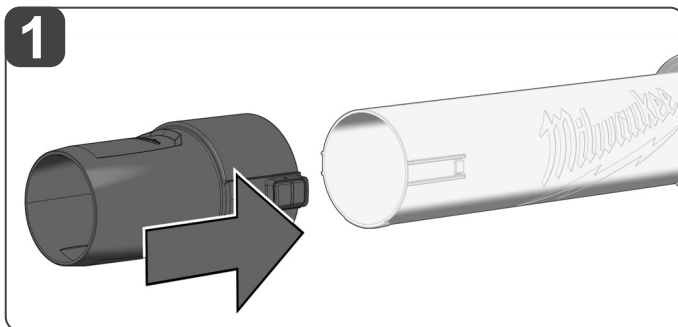
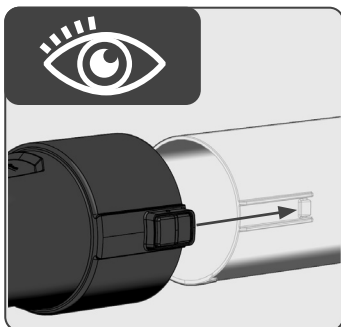


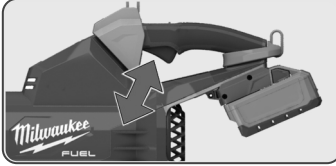
1



2







Start

開始

开始

시작

สตาร์ท

Mulai

Khởi động

スタート

Stop

停止

停止

정지

หยุดเครื่อง

Berhenti

Dừng

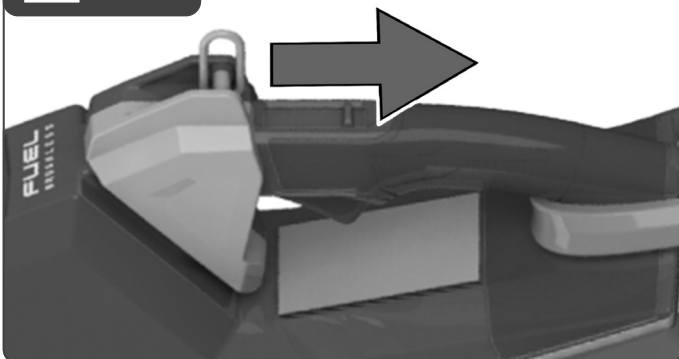
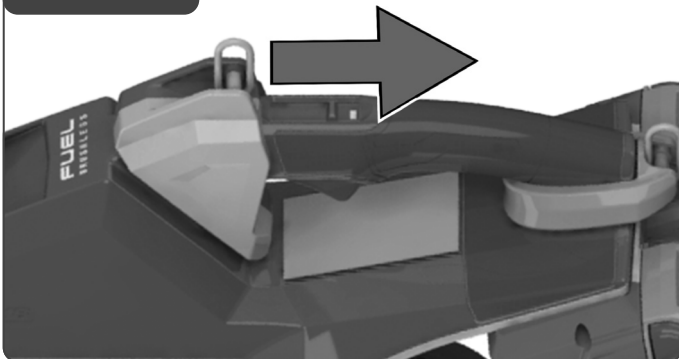
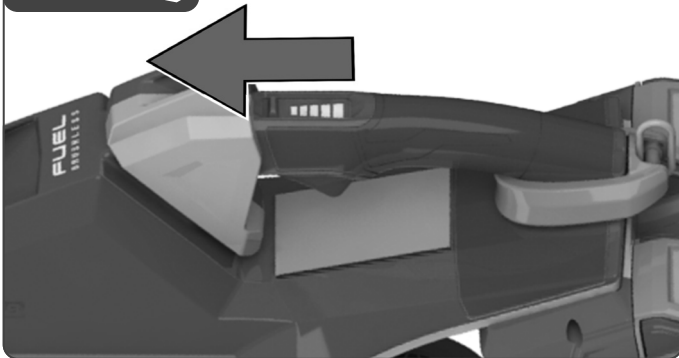
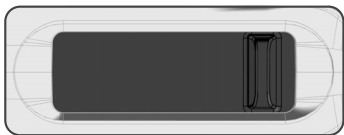
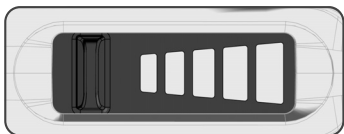
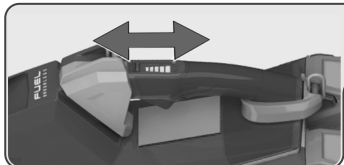
ストップ

START



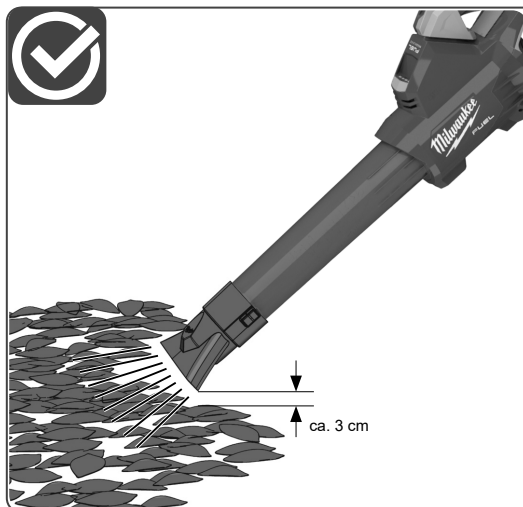
STOP







Tip
提示
提示
팁
ເຕສັດສົບ
Pucuk
Lời khuyên
正しい使い方





Do not cover air inlet.

切勿遮蓋進氣口。

切勿遮盖进气口。

공기 인입구를 덮지 마십시오.

ห้ามปิดช่องทางเข้าอากาศ

Jangan menutupi saluran masuk udara.

Không che cửa hút gió.

風入口は塞がないでください。



Keep all cooling air inlets clear of dirt.

保持所有冷卻的進氣口清潔。

保持所有冷却的进气口清洁。

모든 공기 흡입구를 먼지 없이 깨끗하게 유지하십시오.

รักษาช่องระบายความร้อนทั้งหมดให้ปราศจากสิ่งสกปรก

Jaga kebersihan semua saluran udara pendingin dari kotoran.

Giữ cho tất cả các cửa hút gió làm mát không có bụi bẩn.

すべての冷却風入口からごみを取り除いてください。



TECHNICAL DATA**M18 F2BL**

Type	Cordless dual battery blower
Voltage battery	2 x 18 V ---
Rated input current	25 A
No-load speed	0-16750 /min
Air speed	0-233 km/h
Air flow rate	0-17 m ³ /min
Weight according EPTA-Procedure 01/2014 (2 x 2.0 Ah – 12.0 Ah)	3.63 – 5.90 kg
Recommended ambient operating temperature	-18 – +50 °C
Recommended battery types	M18B...; M18HB...
Recommended charger	M12-18...; M18 DFC

Noise information

Noise emission values determined according to EN 50636-2-100 Annex CC

A-weighted sound pressure level	82.0 dB (A)
Uncertainty K	3.0 dB (A)
A-weighted sound power level	90.8 dB (A)
Uncertainty K	3.0 dB(A)

Always wear ear protectors.

Vibration information

Total vibration values (vector sum in the three axes) determined according to EN 50636-2-100 Annex BB

Vibration emission value a _h	0.31 m/s ²
Uncertainty K	1.5 m/s ²

⚠ WARNING!

The declared vibration total values and the declared noise emission values given in this instruction manual have been measured in accordance with a standardised test given in EN 50636-2-100 Annex BB and may be used to compare one tool with another. They may be used for a preliminary assessment of exposure.

The declared vibration and noise emission values represent the main applications of the tool. However, if the tool is used for different applications, used with different accessories, or poorly maintained, the vibration and noise emission may differ. These conditions may significantly increase the exposure levels over the total working period.

An estimation of the level of exposure to vibration and noise should take into account the times when the tool is turned off or when it is running idle. These conditions may significantly reduce the exposure level over the total working period.

Identify additional safety measures to protect the operator from the effects of vibration and noise, such as maintaining the tool and the accessories, keeping the hands warm, and organising work patterns.

⚠ WARNING! Read all safety warnings, instructions, illustrations and specifications provided with this power tool. Failure to follow all instructions listed below may result in electric shock, fire, and/or serious injury.

Save all warnings and instructions for future reference.

CORDLESS BLOWER SAFETY WARNINGS**TRAINING**

Read the instructions carefully. Be familiar with the controls and the correct use of the product.

Keep in mind, that the operator or user is responsible for accidents or hazards occurring to other people or their property.

PREPARATION

Obtain ear protection and safety glasses. Wear them at all times while operating the product.

While operating the product, always wear substantial footwear and long trousers. Do not operate the product when barefoot or wearing open sandals. Avoid wearing clothing that is loose fitting or that has hanging cords or ties.

Do not wear loose clothing or jewellery that can be drawn into the air inlet. Keep long hair away from the air inlets.

Operate the product in a recommended position and only on a firm, level surface.

Do not operate the product on a paved or gravel surface where the ejected material could cause injury.

OPERATION

Never operate the product while people, especially children, or pets are nearby.

Always stand clear of the discharge zone when operating the product.

If the product becomes clogged, remove the battery pack before cleaning debris.

Never operate the product with defective guards or shields, or without safety devices, for example debris collector in place.

Stop the product and remove the battery pack from the product. Make sure that all the moving parts have come to a complete stop:

- whenever you leave the product

- before clearing blockages or unclogging chute
- before checking, cleaning, or working on the product

Do not use the product for sucking.

Do not blow hot, flammable, or explosive material.

Use the product only in daylight or in good artificial light.

Always be sure of your footing on slopes.

Never blow in the direction of bystanders. Do not operate the product without tubes in place.

Walk, never run.

Keep all the cooling air inlets clear of dirt.

Pay attention that bystanders are not injured through foreign objects that are thrown from the product.

Do not use the product for sucking liquids.

Do not overreach and keep your balance at all times.

Do not use the product in the rain or leave it outdoors while it is raining.

If the product drops, suffers heavy impact, or begins to vibrate abnormally, stop the product immediately and inspect the product for damage or identify the cause of the vibration. Any damage should be properly repaired or replaced by an authorised service centre.

MAINTENANCE AND STORAGE

When the product is stopped for servicing, inspection, or storage, or to change an accessory, remove the battery pack and make sure that all the moving parts are come to a complete stop. Allow the product to cool before making any inspections, adjustments, etc. Maintain the product with care and keep it clean.

Store the product in a dry place out of the reach of children. Always allow the product to cool before storing it.

Do not modify the product. Unauthorized modifications may impair the safety of the product and may result in increased noise and vibration.

Keep all nuts, bolts, and screws tight to make sure that the product is in a safe working condition.

Examine the product and replace worn or damaged parts for safety.

Replace worn or damaged parts for safety. Use only genuine replacement parts and accessories.

Never attempt to override the interlocked feature of the guard.

ADDITIONAL SAFETY INSTRUCTIONS

Never allow children, persons with reduced physical, sensory, or mental capabilities, or lack of experience and knowledge, or people unfamiliar with these instructions to use the product. Local regulations may restrict the age of the operator.

Supervise children and do not let them play with the product

Remove the battery pack before starting any work on the product.

Do not use battery packs from other systems.

SPECIFIED CONDITIONS OF USE

The product is intended for blowing of dirt and leaves.

Do not use the product for any other purpose.

RESIDUAL RISK

Even when the product is used as prescribed, it is still impossible to completely eliminate certain residual risk factors. The following hazards may arise during use and the operator should pay special attention to avoid the following:

- injury caused by vibration

- Hold the product by designated handles and restrict working time and exposure.
- hearing injury caused by exposure to noise
- Restrict exposure and wear appropriate hearing protection
- injuries due to flying debris
- Wear appropriate personal protective equipment, heavy long trousers, gloves, substantial footwear, and safety glasses, at all times.

BATTERIES

Battery packs that have not been used for some time should be recharged before use.

Temperatures in excess of 50°C reduce the performance of the battery pack. Avoid extended exposure to heat or sunshine (risk of overheating).

The contacts of the chargers and battery packs must be kept clean.

For an optimum lifetime, the battery packs have to be fully charged after use.

To obtain the longest possible battery life, remove the battery pack from the charger once it is fully charged.

For battery pack storage longer than 30 days:

- Store the battery pack where the temperature is below 27°C and away from moisture.
- Store the battery packs in a 30% – 50% charged condition.
- Every six months of storage, charge the pack as normal.

Do not dispose of used battery packs in the household refuse or by burning them. MILWAUKEE distributors offer to retrieve old batteries to protect our environment.

Do not store the battery pack together with metal objects (short circuit risk).

Use only M18 System chargers for charging M18 System battery packs. Do not use battery packs from other systems.

Never break open battery packs and chargers, and store them only in dry rooms. Keep the battery packs and chargers dry at all times.

No metal parts must be allowed to enter the battery section of the charger (short circuit risk).

Battery acid may leak from damaged batteries under extreme load or extreme temperatures. In case of contact with battery acid, wash it off immediately with soap and water. In case of eye contact, rinse thoroughly for at least 10 minutes and immediately seek medical attention.

ADDITIONAL BATTERY SAFETY WARNINGS

⚠ WARNING! To reduce the risk of fire, personal injury, and product damage due to a short circuit, never immerse the product, battery pack, or charger in fluid or allow fluid to flow inside them. Corrosive or conductive fluids, such as seawater, certain industrial chemicals, and bleach or bleach-containing products, etc., can cause a short circuit.

BATTERY PACK PROTECTION

In extremely high torque, binding, stalling and short circuit situations that cause high current draw, the tool will vibrate for about 5 seconds, the fuel gauge flashes, and then the product turns off. To reset, release the trigger.

Under extreme circumstances, the internal temperature of the battery pack could raise too much. If this happens, the fuel gauge flashes until the battery pack cools down. After the lights go off, continue working.

TRANSPORTING LITHIUM BATTERIES

Lithium-ion batteries are subject to the Dangerous Goods Legislation requirements.

Transportation of those batteries has to be done in accordance with local, national, and international provisions and regulations.

- Batteries can be transported by road without further requirements.
- Commercial transport of lithium-ion batteries by third parties is subject to Dangerous Goods Regulations. Transport preparation and transport are exclusively to be carried out by appropriately trained persons and the process has to be accompanied by corresponding experts.

When transporting batteries:

- Ensure that the battery contact terminals are protected and insulated to prevent short circuit.
- Ensure that the battery pack is secured against movement within the packaging.
- Do not transport batteries that are cracked or leaking.
- Check with the forwarding company for further advice.

CLEANING

The ventilation slots of the product must be kept clear at all times.

MAINTENANCE

Examine the product and replace worn or damaged parts for safety. Use only MILWAUKEE accessories and MILWAUKEE spare parts. Should components that have not been described need to be replaced, contact one of our MILWAUKEE service centres (see our list of guarantee or service addresses).

If needed, an exploded view of the product can be ordered. State the product type and the serial number on the label, and order the drawing at your local service centres.

SYMBOLS



Read the instructions carefully before starting the product.



CAUTION! WARNING! DANGER!



Remove the battery pack before starting any work on the product.



Always wear goggles when using the product.



Wear ear protectors.



Wear a suitable dust protection mask.



Wear gloves.



Never expose the product to rain.



Failure to keep hands away from the air inlet could result in personal injury.



Failure to keep long hair away from the air inlet could result in personal injury.



Do not wear loose clothing or jewelry that can be drawn into the air inlet.



Keep bystanders away.



Ensure that nobody is at risk of materials being catapulted out or falling.



The guaranteed sound power level shown on this label is 83 dB.

n_0

No-load speed

V

Voltage



Direct current



Do not dispose of waste batteries, waste electrical and electronic equipment as unsorted municipal waste. Waste batteries and waste electrical and electronic equipment must be collected separately. Waste batteries, waste accumulators and light sources have to be removed from equipment. Check with your local authority or retailer for recycling advice and collection point. According to local regulations retailers may have an obligation to take back waste batteries and Waste electrical and electronic equipment free of charge. Your contribution to re-use and recycling of waste batteries and waste electrical and electronic equipment helps to reduce the demand of raw materials. Waste batteries, in particular containing lithium and waste Electrical and electronic equipment contain valuable, recyclable materials, which can adversely impact the environment and the human health, if not disposed of in an environmentally compatible manner. Delete personal data from waste equipment, if any.

類型	雙電池式鼓風機
電池電壓	2 x 18 V ---
額定電流	25 A
無負載轉速	0-16750 /min
無負載風速	0-233 km/h
氣流量	0-17 m ³ /min
根據EPTA-Procedure 01/2014的重量 (2 x 2.0 Ah - 12.0 Ah)	3.63 - 5.90 kg
建議操作環境溫度	-18 °C - +50 °C
推薦的電池類型	M18B... ; M18HB...
推薦充電器	M12-18... ; M18 DFC
噪音資訊	
依 EN 50636-2-100 Annex CC 所測的測量值	
A加權聲壓級	82.0 dB (A)
不確定度 K	3.0 dB (A)
A加權聲功率級別	90.8 dB (A)
不確定度 K	3.0 dB (A)
務必佩戴防護耳罩。	
振動資訊	
依EN 50636-2-100 Annex BB所測的振動總值 (三軸向量總和)。	
振動釋放值 a _h	0.31 m/s ²
不確定度 K	1.5 m/s ²

⚠ 警告！

本說明書所提供的振動和噪聲釋放等級是依EN 50636-2-100 Annex BB規定的標準化測試所測得，且可能用於與另一個工具進行比較。該等級可用來初步評估風險。

宣告的振動和噪聲釋放等級代表的是本工具的主要應用。然而，如果用於不同的應用、使用不同的配件或保養不當，振動和噪聲釋放也可能不同。這可能會在總工作時間上顯著增加風險等級。

評估振動和噪聲暴露的等級還應考慮本工具開機時的時間，或當工具運轉但卻未實際使用的時間。這可能會明顯降低總工作期間的風險等級。請確認額外的安全措施，以保護操作員不受振動和噪聲的影響，例如：保養本工具與配件、保持手部溫暖和井然有序的工作方式。

⚠ 警告！請閱讀本電動工具隨附的所有安全警告、說明、插圖及規格。不遵循這些警告和說明會導致電擊、火災和/或嚴重傷害。

將所有警告和說明保存好，方便以後查閱。

電動鼓風機安全警告

訓練

請仔細閱讀說明。熟悉如何控制和正確使用產品。

請緊記如對其他人或其所有物造成意外或危險，操作者或使用者的須為此負責。

準備

擁有防護耳罩及護目鏡。當操作產品時，務必配戴防護用具。

當操作產品時，務必穿戴結實的鞋類及長褲。赤腳或穿著涼鞋時，切勿使用本產品。避免穿著寬鬆或有掛繩子、領帶的衣服。

切勿穿著寬鬆的衣服或首飾，以免吸入進氣口。束起長髮，使其高於肩膀水平，以防止纏結於運動部件。

只能在堅固的水平面上，按照建議的位置操作產品。

切勿在鋪砌或沙礫的表面上操作產品，彈出的物料可能導致傷害。

操作

當人們（尤其是兒童或者寵物）在附近時，切勿操作本產品。

操作產品時，務必遠離放電區。

如果產品受堵塞，先移除電池組，才清除碎屑。

當產品的防護裝置或防護罩出現缺陷，或沒有配備安全裝置（如碎屑收集器）時，切勿使用產品。

停止產品，並移除產品中的電池組。確保所有運動部件已經完全停止：

- 在產品無人看管前
 - 清理堵塞或疏通斜槽前
 - 檢查、清潔或使用產品前
- 鼓風機不得作吸入使用。

不要吹熱、易燃或易爆的物料。

只能在日光或人造光線下使用產品。

務必確保站穩於斜坡上。

不要吹向旁觀者的方向。在沒有管子的情況下，切勿操作。

只可步行，不要奔跑。

保持所有冷卻的進氣口清潔。

注意切勿讓產品排放的異物對旁觀者造成傷害。

切勿用產品吸入液體。

切勿伸展太遠，並時刻保持平衡。

請勿將本產品暴露在雨中或潮濕的環境中。

如果產品掉落、受到重大衝擊或者開始異常振動，請立即停止產品，並檢查確認是否有損壞或者確認振動的原因。任何損壞應由授權的維修中心妥善維修或更換。

維修及存放

當產品因維修、檢查、儲存或更改配件而停止時，移除電池組，並確保所有轉動部件已完全地停止。在檢查、調整或其他工作前，讓產品冷卻一段時間後再包裝。小心保養產品並保持清潔。

將產品存放在乾燥的地方，並且確保兒童無法接觸。存放之前，請務必讓產品冷卻。

切勿修改本產品。不認可的修改將會損害產品的安全性，並增加噪音及振動。

所有螺母、螺栓及螺釘保持緊固，以確保產品處於安全的工作狀態。

檢查產品，並更換磨損或損壞的部件以確保安全。

更換磨損或損壞的部件以確保安全。只可使用原裝的更換部件及配件。

不要嘗試操控防護裝置的互鎖功能。

其他安全說明

不要讓兒童、身體、感官或精神能力下降的人員或缺乏經驗及知識的人，或不熟悉這些指示的人使用產品。當地法規可能會限制操作員的年齡。

應監察在場的兒童，以確保他們不會將產品當作玩具。

對產品進行任何工作前，先移除電池組。

請勿使用其他系統的電池組。

特定使用條件

電動鼓風機用於吹灰塵及樹葉。

切勿將本產品用於正常使用之外的其他用途。

殘餘風險

即便已按規定使用產品，仍然不可能完全消除某些殘留的風險因素。使用時可能會出現以下危險，操作人員應特別注意以下事項：

- 振動引起的損傷
 - 用指定的把手握住產品，並限制工作時間及暴露。
- 因接觸噪音導致聽力傷害
 - 限制接觸和佩戴適當的聽力保護設備。
- 因外來碎片而受傷
 - 務必穿戴適當的個人防護設備，厚的長褲、手套、堅固的鞋類和安全眼鏡。

電池

久未使用的電池組必須重新充電後再使用。

超過50 °C的高溫會降低電池組的效能。避免暴露於高溫或陽光下（可能導致過熱）。

充電器和電池組的接點處應保持清潔。

為確保最佳電池使用壽命，電池組使用後應再完全充電。

為確保電池的最長壽命，充電完成後，勿將電池組繼續留在充電器上。

電池組儲存時間長於30日：

- 將電池組存放於溫度低於27 °C的環境，且避免受潮；
- 將電池組保持在充電量30% - 50%的狀態；
- 存放中的電池組應每六個月照常充電一次。

勿將用過的電池組與家庭廢棄物混合或燃燒電池。MILWAUKEE經銷商提供舊電池回收，以保護我們的環境。

勿將電池組與其他金屬物品一起存放（可能引起短路）。

僅可使用M18系統充電器對M18系統電池組進行充電。請勿使用其他系統的電池。

不可拆開電池組和充電器。電池組和充電器必須儲藏在乾燥的空間，

勿讓濕氣滲入。必須經常保持乾燥。

切勿讓金屬部份接觸充電器的電池部份（有短路危機）。

在極端負載或極端溫度下，損壞的電池可能漏出內部酸液。若碰到電池酸液，請即刻用肥皂與清水洗去。若酸液接觸到眼睛，以清水沖洗至少10分鐘後立即就醫。

附加電池安全警告

警告！ 為了減少因短路而導致火災、人身傷害和產品損壞的風險，請勿將工具、電池組或充電器浸沒在流體中或使流體流入其中。腐蝕性或導電性流體（如海水、某些工業化學品、以及漂白劑或含漂白劑的產品等）都會導致短路。

電池過載保護

在極高的扭力、結合、停滯和引起高電流消耗短路的情況下，工具將振動約5秒，電池燈會閃爍，然後工具將關閉。

如要重置，鬆開扳機。在極端情況下，電池組內部的溫度可能變高。如果發生這種情況，電池燈會閃爍直至電池冷卻下來。燈熄滅後，可以繼續工作。

運輸鋰電池

鋰離子電池須受制於危險品法例的要求。

運送鋰電池必須在符合當地、國家及國際標準及法例的情況下進行。

- 使用者可於陸地上運送電池而毋須受限；
 - 第三方負責的商業鋰電池運送須受制於危險品法例。運送的預備及過程必須由受嚴格訓練的人士進行，亦必須得到專家在場監管。
- 運送電池時：

- 請確保電池接觸終端受到嚴密保護及經過絕緣，防止短路；
- 請確保電池組妥善包裝，防止碰撞磨擦；
- 切勿運送有裂痕或洩漏中的電池。
- 與速遞公司緊密聯繫以獲得進一步資訊。

清潔

本產品的通風孔必須時刻保持暢通。

維護

檢查產品，並更換磨損或損壞的部件以確保安全。

只可使用MILWAUKEE的配件和零件。如果需要更換的組件在此沒有介紹，請與其中一個MILWAUKEE服務代理機構聯繫（參見我們的維修/服務地址列表）。

如果需要機器的分解圖，可以向您的顧客服務中心查詢。請您向當地的顧客服務中心提供以下資料：機器銘牌上產品的號碼及機型。

符號



啟動機器前，請仔細閱讀本說明書。



注意！警告！危險！



對產品進行任何工作前，先移除電池。



使用本產品時務必佩戴護目鏡。



佩戴護耳器。



戴上適當的防塵罩。



佩戴手套。



請勿在雨中使用本產品。



雙手必須保持遠離進氣口，否則會導致人身傷害。



長髮必須保持遠離進氣口，否則會導致人身傷害。



切勿穿著寬鬆的衣服或首飾，以免吸入進氣口。



讓旁觀者遠離。



確保沒有人有被材料彈射或掉落的風險。



此標籤上顯示認證的聲壓率級為力 83 dB。

n_0

無負載轉速

V

伏特



直流電



請勿將廢電池、電器、電子設備等廢棄物作為未分類城市廢棄物進行處理。必須分開回收廢電池及廢電子電機設備。

廢電池、廢電池和光源必須從設備上拆下。請與當地相關部門或經銷商聯繫，了解回收建議和收集地點。根據地區規定，零售商有義務免費回收廢電池和廢電器。

您對重用及回收廢電池及廢電子電機設備作出貢獻，有助於減少原料需求。特別是含有鋰和廢電子電機設備含有可回收利用的有價值物質，如果不以與環境兼容的方式廢棄，可能會對環境和人類健康產生不良影響。

如果廢電子設備中有任何人員數據，請在棄置前刪除。

类型	双电池鼓风机
电池电压	2 x 18 V ---
额定输入电流	25 A
无负载转速	0-16750 /min
空速	0-233 km/h
气流率	0-17 m ³ /min
重量符合EPTA—Procedure 01/2014 (2 x 2.0 Ah - 12.0 Ah)	3.63 - 5.90 kg
建议操作环境温度	-18 °C - +50 °C
推荐的电池类型	M18B...; M18HB...
推荐充电器	M12-18...; M18 DFC
噪音信息	
本测量值符合EN 50636-2-100附件CC条文的规定。	
A-值声压值	82.0 dB (A)
不确定度 K	3.0 dB (A)
A-值声功率级别	90.8 dB (A)
不确定度 K	3.0 dB(A)
务必佩戴防护耳罩。	
振动信息	
依欧盟EN 50636-2-100附件BB标准确定的振动总值（三方向矢量和）。	
振动释放 a _h	0.31 m/s ²
不确定度 K	1.5 m/s ²

A 警告！

本说明书所提供的振动和噪声等级是依EN 50636-2-100 Annex BB规定的标准化测试所测得，且可能用与另一个工具进行比较。该等级可用来初步评估风险。

宣告的振动和噪声释放等级代表的是本工具的主要应用。然而，如果用于不同的应用、使用不同的配件或保养不当，振动和噪声释放也可能不同。这可能会在总工作时间内显著增加风险等级。

评估振动和噪声暴露的等级还应考虑本工具关机时的时间，或当工具运转但却未实际使用的时间。这可能会明显降低总工作期间的风险等级。请确认额外的安全措施，以保护操作员不受振动和噪声的影响，例如：保养本工具与配件、保持手部温暖和井然有序的工作方式。

A 警告！阅读此电动工具提供的所有安全警告、说明、插图和说明。不遵循这些警告和说明会导致电击、火灾和/或严重伤害。

保存所有警告和说明书以备查阅。

电动鼓风机安全警告

训练

请仔细阅读说明。熟悉如何控制和正确使用产品。

请牢记如对其他入或其所有物造成意外或危险，操作者或使用者须为此负责。

准备

拥有防护耳罩及护目镜。当操作产品时，务必配戴防护用具。

当操作产品时，务必穿戴结实的鞋类及长裤。赤脚或穿着凉鞋时，切勿使用本产品。避免穿着宽松或有挂绳子、领带的衣服。

切勿穿着宽松的衣服或首饰，以免吸入进气口。束起长髮，使其高於肩膀水平，以防止纏結於運動部件。

只能在坚固的水平面上，按照建议的位置操作产品。

切勿在铺砌或沙砾的表面上操作产品，弹出的物料可能导致伤害。

操作

当人们（特别是儿童或宠物）在附近时，切勿操作本产品。

操作产品时，务必远离放电区。

如果产品受堵塞，先移除电池，才清除碎屑。

当产品的防护装置或防护罩出现缺陷，或没有配备安全装置（如碎屑收集器）时，切勿揀用产品。

停止产品，并移除产品中的电池。确保所有运动部件已经完全停止：

在产品无人看管前

清理堵塞或疏通斜槽前

检查、清洁或使用产品前

鼓风机不得作吸入使用。

不要吹热、易燃或易爆的物料。

只能在日光或人造光线下使用产品。

务必确保站稳于斜坡上。

不要吹向旁观者的方向。在没有管子的情况下，切勿操作。

只可步行，不要奔跑。

保持所有冷却的进气口清洁。

注意切勿让产品排放的异物对旁观者造成伤害。

切勿用产品吸入液体。

切勿伸展太远，并时刻保持平衡。

请勿将本产品暴露在雨中或潮湿的环境中。

如果产品掉落、受到重大冲击或者开始异常震动，请立即停止产品，并检查确认是否有损坏或者确认震动的原因。任何损坏应由授权的维修中心妥善维修或更换。

维修及存放

当产品因维修、检查、储存或更改配件而停止时，移除电池组，并确保所有转动部件已完全地停止。在检查、调整或其他工作前，让产品冷却一段时间后再次包装。小心保养产品并保持清洁。

将产品存放在干燥的地方，并确保儿童无法接触。存放之前，请务必让产品冷却。

不要修改产品。不可的修改将会损害产品的安全性，并增加噪音及振动。

所有螺母、螺栓及螺钉保持紧固，以确保产品处于安全的工作状态。

检查产品，并更换磨损或损坏的部件以确保安全。

只可使用原装的更换部件及配件。

不要尝试操控防护装置的互锁功能。

其他安全说明

不要让儿童、身体、感官或精神能力下降的人员或缺乏经验及知识的人，或不熟悉这些指示的人使用产品。当地法规可能会限制操作员的年龄。

应监察在场的儿童，以确保他们不会将产品当作玩具。

对产品进行任何工作前，先移除电池组。

不可以使用其他系列的电池组。

特定使用条件

电动鼓风机用于吹灰尘及树叶。

切勿将本产品用于正常使用之外的其他用途。

残余风险

即使产品按规定使用，依然无法完全消除某些残余风险因素。使用过程中可能出现以下危险，操作者应注意避免：

- 振动引起的损伤
 - 用指定的手柄握住产品，并限制工作时间和曝露。
- 因接触噪声导致听力伤害
 - 限制接触机会并穿戴合适的听力保护设备。
- 因外来碎片而受伤
 - 务必穿戴适当的个人防护设备，厚的长裤、手套、坚固的鞋类和安全眼镜。

电池

长期存放的电池组必须先充电再使用。

超过 50 °C 的高温会降低电池组的效能。避免暴露于高温或阳光下（可能导致过热）。

充电器和电池组的接点处应保持清洁。为获得最长寿命，使用后应把电池充满电。

为确保最长使用寿命，充电后应把电池从充电器取出。

电池组储存时间长于30日：

- 在环境温度 27 °C 左右干燥处储存电池；
- 在百分之 30 至 50 充电状态储存电池；
- 每 6 个月重新充电。

用过的电池组不可以丢入火中或一般的家庭垃圾中。美沃奇经销商提供旧电池回收，以保护我们的环境。

电池组不可以和金属物体存放在一起（可能产生短路）。

M18 系列的电池组只能和 M18 系列的充电器配合使用。不可以使用其他系列的电池组。不可以使用其他系列的电池组。

不可拆开电池组和充电器。电池组和充电器必须储藏在干燥的空间，勿让湿气渗入。必须经常保持干燥。

切勿让金属部分接触充电器的电池部份（有短路危机）。

在过度超荷或极端的温度下，可能从损坏的电池组中流出液体。如果触摸了此液体，必须马上使用肥皂和大量清水冲洗。如果此类液体侵入眼睛，马上用清水彻底清洗眼睛（冲洗至少 10 分钟），接着即刻就医治疗。

附加电池安全警告

警告！ 为了减少因短路而导致火灾、人身伤害和产品损坏的风险，请勿将工具、电池组或充电器浸没在流体中或使流体流入其中。腐蚀性或导电性流体（如海水、某些工业化学品、以及漂白剂或含漂白剂的产品等）都会导致短路。

电池超载保护

因一些诸如极高的扭力、外物附着、突然停机和线路短路发生的情况下，会导致高电流消耗。此等情况下，产品将振动约 5 秒，电池灯闪烁，然后产品将停止及关闭。如要重置，松开扳机。

在这种情况下，电池的内部温度可能会变高。如果发生这种情况，电池将关闭。如果发生这种情况，电池灯会闪烁，直至电池冷却下来。灯熄灭后，可以继续工作。

锂电池的运输

锂电池属于危险货品并受制于危险货物运输条例。

此电池的运输必须遵守地方、国家和国际法律规定。

- 用户在公路上运输此电池组不必遵守特殊规定；
- 锂电池的商业性运输受制于危险货物运输条例的规定。运输准备和运输必须由受过专业培训的人员进行。全程必须由专业人员监督。

运输电池时必须注意到下列事项：

- 为避免短路，必须确保电池接点的防护和绝缘；
- 确保包装中的电池包不会滑动；
- 严禁运输已损坏或已产生泄漏的电池。
- 更多运输建议请联系运输公司。

清洁

本产品的通风孔必须时刻保持畅通。

维护

检查产品，并更换磨损或损坏的部件以确保安全。

只能使用美沃奇的附件和零件。如果需要更换未描述的组件，请联系我们的美沃奇服务代理（请参阅我们的认可/维修的地址列表）。

如果需要，可以索取产品的分解图。在标签上注明产品类型和序列号，然后在当地服务中心订购图纸。

符号



启动产品前，请仔细阅读本说明书。



注意！警告！危险！



对产品进行任何工作前，先移除电池。



使用本产品时务必佩戴护目镜。



佩戴防护耳罩。



戴上适当的防尘罩。



佩戴手套。



切勿将产品暴露在雨中。



双手必须保持远离进气口，否则会导致人身伤害。



长发必须保持远离进气口，否则会导致人身伤害。



切勿穿着宽松的衣服或首饰，以免吸入进气口。



让旁观者远离。



确保没有人有被材料弹射或掉落的风险。



此标签上显示认证的音量值为83 dB。

n_0

无负载转速

V

电压



直流电



请勿将废电池、电器、电子设备等废弃物作为未分类城市废弃物进行处理。必须分开回收废电池及废电子电机设备。

废电池、废电池和光源必须从设备上拆下。请与当地相关部门或经销商联系，了解回收建议和收集地点。根据地区规定，零售商有义务免费回收废电池和废电器。

您对重用及回收废电池及废电子电机设备作出贡献，有助于减少原料需求。特别是含有锂和废电子电机设备含有可回收利用的有价值物质，如果不以与环境兼容的方式废弃，可能会对环境和人类健康产生不良影响。

如果废电子设备中有任何人员数据，请在弃置前删除。

유형	무선 듀얼 배터리 송풍기
전압 배터리	2 x 18 V ---
정격 입력 전류	25 A
무부하 속도	0~16,750/분
대기 속도	0~233 km/h
송풍량	0~17 m ³ / min
EPTA 철차 01/2014(2 x 2.0Ah~12.0Ah)에 따른 무게	3.63 - 5.90 kg
권장 주변 작동 온도	-18 - +50 °C
권장 배터리 팩	M18B...: M18HB...
권장 충전기	M12-18...: M18 DFC
소음 정보	
EN 50636-2-100 별첨 CC에 따라 결정되는 잠음 방출 값	
가중치 음압 레벨	82.0 dB (A)
불확정성 K	3.0 dB (A)
가중치 음향 파워 레벨	90.8 dB (A)
불확정성 K	3.0 dB(A)
항상 보안경을 착용하십시오.	
진동 정보	
EN EN 50636-2-100 별첨 BB에 따라 결정되는 총 진동 값(3축 백터 총합)	
진동 방출 값 a _n	0.31 m/s ²
불확정성 K	1.5 m/s ²

⚠ 경고!

이 지침 설명서에 표시되어 있는 진동 총 수치와 소음 방출 수치는 EN 50636-2-100 별첨 BB에 나와 있는 표준화된 테스트에 따라 측정되었으며 공구끼리 서로 비교하는 데 사용할 수 있습니다. 노출 예비 평가에 사용할 수 있습니다.

표시된 진동 및 소음 방출 수치는 공구의 주 용도로 사용 시에 측정된 값을 나타냅니다. 하지만 공구를 다른 용도로 사용하거나, 다른 부속품과 함께 사용하거나, 부실하게 유지보수할 경우에는 진동 및 소음 방출 수준이 달라질 수 있습니다. 이런 조건은 총 작업 시간에 대한 노출 수준을 상당히 증가시킬 수 있습니다.

진동 및 소음 노출 수준을 추정할 때는 공구의 전원을 끄거나 공회전되는 시간을 고려해야 합니다. 이런 조건은 총 작업 시간에 대한 노출 수준을 상당히 감소시킬 수 있습니다.

공구와 부속품의 유지, 손의 보온 상태 유지, 작업 패턴 구성과 같이, 작업자를 진동과 잡음의 영향으로부터 보호하기 위한 추가 안전 대책을 파악하십시오.

⚠ 경고!

공구와 함께 제공된 제반 안전 경고, 사용 설명서, 그림 및 사양을 숙지하십시오. 아래의 지침을 따르지 않으면 전기 충격, 화재 및 중대한 부상을 초래할 수 있습니다.

항후 참조할 수 있도록 경고 문구와 설명서를 잘 보관해 두십시오.

무선 송풍기 안전 경고

교육

본 지침 사항을 숙독하십시오. 컨트롤과 올바른 제품 사용법을 익히십시오.

다른 사람이 재산에 대해 발생할 수 있는 사고나 위험에 대한 책임은 작업자나 사용자에게 있음을 명심하십시오.

준비

눈 보호 장치와 보안경을 착용하십시오. 제품을 조작하는 동안 이러한 장치를 항상 착용하십시오.

제품을 조작하는 동안 항상 안전화와 긴 바지를 착용하십시오. 맨발이나 샌들을 신고 있을 때에는 제품을 조작하지 마십시오. 피팅이 느슨하거나 코드 또는 백더이가 달린 옷을 입지 않아야 합니다.

공기 흡입구에 유입될 수 있는 느슨한 옷이나 장신구를 착용하지 마십시오. 긴 머리카락은 공기 흡입구에 들어가지 않도록 하십시오. 권장된 위치와 단단한 평면에서만 제품을 조작하십시오.

배출된 재료로 인해 부상을 입을 수 있는 포장 도로 또는 자갈 표면에서 제품을 조작하지 마십시오.

작동

사람, 특히 어린이 또는 애완견이 근처에 있을 때 제품을 조작하지 마십시오.

제품을 조작할 때 항상 배출 구역과 거리를 유지하십시오.

제품이 막힐 경우, 배터리를 분리한 후 파편을 청소하십시오.

가드 또는 차폐 장치에 결함이 있거나 예를 들어, 파편 집수기 같은 안전 장치가 제 위치에 배치되어 있지 않은 경우 제품을 조작하지 마십시오.

제품을 중지시킨 다음, 제품에서 배터리를 분리하십시오. 다음의 경우 이동하는 부품이 모두 완전히 정지하는지 확인하십시오:

- 제품을 방치할 때마다
- 막힘을 제거하거나 슈트를 풀기 전

- 제품에서 점검 또는 청소하거나 장비에 대한 작업을 수행하기 전 제품을 사용하여 흡입하지 않아야 합니다!
뜨겁거나 인화성 또는 폭발성이 있는 재료는 불어내지 마십시오.
주거나 인공 조명이 양호한 조건에서만 제품을 사용하십시오.
항상 당신이 경사진 곳에 발을 디디고 있는지 확인하십시오.
주변 사람이 있는 방향으로 불어내지 마십시오. 튜브를 배치하지 않은 상태에서는 제품을 조작하지 마십시오.
뛰지 말고, 걸으세요.

모든 공기 흡입구를 먼지 없이 깨끗하게 유지하십시오.
제품으로부터 뿜어 나오는 이물질로 인해 주변 사람들이 부상을 당하지 않도록 주의하십시오.

제품을 사용하여 액체를 흡입하지 않아야 합니다!
일정한 범위 내에서만 작업하고 항상 균형을 유지하십시오.

빗속에서 제품을 사용하거나 비가 오는 동안 실외에 방치하지 마십시오.

제품을 떨어뜨리고, 상당한 충격을 경험하거나 비정상적인 진동이 발생할 경우, 제품 사용을 즉시 중단하고 손상 여부를 검사하거나 진동 원인을 파악합니다. 손상된 부품이 있으면 공인 서비스 센터에서 적절한 수리 또는 교체 서비스를 받아야 합니다.

유지 관리 및 보관

서비스, 검사 또는 보관을 위해 제품을 중지시켰거나 부속품을 교체하려면 배터리 팩을 분리하고 움직이는 모든 부품이 완전히 멈추었는지 확인하십시오. 검사, 조절 작업 등을 수행하기 전에 제품을 냉각시킵니다. 제품을 주의하여 관리하고 청결하게 유지합니다.

어린이의 손이 닿지 않은 건조한 곳에 제품을 보관하십시오.
보관하기 전에 제품을 항상 냉각시키십시오.

본 제품을 개조하지 마십시오. 비 인가된 개조로 인해 제품 안전이 저해되고 이로 인해 소음과 진동이 증가할 수 있습니다.

너트, 볼트 및 나사를 모두 조여 제품이 안전한 작동 조건에 있는지 확인합니다.

제품을 확인하고 안전을 위해 마모되거나 손상된 부품은 교체하십시오.

안전을 위해 마모되거나 손상된 부품은 교체하십시오. 순정품 교체 부품 및 부속품만 사용하십시오.

가드 장치의 연동 기능을 간과하지 마십시오.

추가 안전 지침

어린이, 신체, 충동 장애 또는 정신 질환이 있거나 경험과 지식이 부족한 개인 또는 제품 사용 방법을 모르는 개인은 이 제품을 사용할 수 없습니다. 현지 규정에 따라 작업자의 연령이 제한될 수 있습니다.

어린이가 제품을 가지고 놀지 않도록 감독해야 합니다.

제품 사용 전, 배터리 팩을 제거하십시오.
다른 시스템의 배터리 팩을 사용하지 마십시오.

지정된 사용 조건

제품은 먼지와 나뭇잎을 불어내는 데 사용됩니다.
다른 목적으로 제품을 사용하지 마십시오.

잔여 위험

제품을 설명서대로 사용하더라도 위험 요소를 완전히 제거하는 것은 여전히 불가능합니다. 제품 사용 중 다음과 같은 위험 요소가 발생할 수 있으며, 작업자는 다음 사항을 회피하기 위해 세심한 주의를 기울여야 합니다.

- 진동으로 인한 부상
 - 지정된 핸들을 이용해 제품을 붙잡아 사용하고 작업 시간과 진동에 대한 노출을 적절히 제한하십시오.

- 소음 노출로 인한 청력 저하 청각 장애.
 - 소음에 대한 노출을 억제하고 적절한 청각 보호장치를 착용하십시오.
- 튀어 나오는 파편으로 인한 부상
 - 항상 적절한 보호 장구, 두렵고 긴 바지, 장갑, 튼튼한 신발 및 보안경을 착용하십시오.

배터리

오랫 동안 사용하지 않은 배터리 팩은 사용하기 전에 충전해야 합니다.

50°C를 초과하는 온도는 배터리 팩의 성능을 저하시킵니다. 열이나 햇빛에 오래 노출시키지 마십시오(과열 위험).

충전기 점접 및 배터리 팩을 청결한 상태로 유지해야 합니다.

최적의 수명을 보장하려면 사용한 후에 배터리 팩을 완전히 충전해야 합니다.

배터리 수명을 최대한 연장하려면 완전히 충전된 경우 충전기에서 배터리 팩을 제거하십시오.

30일 이상 배터리 팩을 보관하는 경우:

- 온도가 27°C 이하이며 습기가 없는 장소에 배터리 팩을 보관하십시오.
 - 배터리 팩을 30% - 50% 충전된 조건으로 보관하십시오.
 - 보관하지 6개월이 경과할 때마다 팩을 정상적으로 충전하십시오.
- 사용된 배터리 팩을 가정용 쓰레기와 함께 폐기하거나, 태우지 마십시오. 밀워키는 환경 보호를 위해 오래된 배터리 팩을 회수합니다.

배터리 팩을 금속 물체와 함께 보관하지 마십시오(단락 회로 위험).

M18 시스 배터리 팩을 충전하려면 M18 시스 충전기만 사용하십시오. 다른 시스템의 배터리 팩을 사용하지 마십시오.

배터리 팩과 충전기를 개방하지 말고, 건조한 곳에 보관하십시오.
배터리 팩과 충전기는 항상 건조한 상태로 유지하십시오.

충전기의 배터리 부위에 어떤 금속 조각도 들어가서는 안됩니다(합선 위험이 있습니다).

극심한 부하 또는 극심한 온도 조건에서 손상된 배터리로부터 배터리 산이 누출될 수 있습니다. 배터리 산과 접촉한 경우, 비누물로 즉시 세척하십시오. 눈과 접촉할 경우, 최소 10분 동안 철저히 세정한 후 즉각적인 의료 조치를 취하십시오.

추가 배터리 안전 주의 사항

⚠ 경고! 단락 회로로 인한 화재, 작업자 부상 및 제품 손상 위험을 줄이려면 제품, 배터리 팩 또는 충전기를 유체에 침수시키거나 유체가 내부로 흘러들어가지 않도록 해야 합니다. 해수, 특정한 산업용 화학 물질 및 표백제 또는 표백제 함유 제품 같은 부식성 또는 전도성 유체 등은 단락 회로를 야기할 수 있습니다.

배터리 팩 보호

매우 높은 토크, 바인딩, 스톱핑 그리고 높은 전류가 유입되는 단락 상황에서, 공구는 약 5초 동안 진동하고 연료 게이지가 점멸한 다음, 제품 전원이 꺼집니다. 재설정하려면 트리거를 해제하십시오.

극심한 환경 조건에서, 배터리 팩의 내부 온도가 급격히 상승할 수 있습니다. 온도가 급격히 상승하면 배터리 팩이 냉각될 때까지 연료 게이지가 깜박입니다. 조명이 꺼진 후 작업을 계속 진행하십시오.

리튬 배터리의 운송

리튬 이온 배터리는 위험물 법률 요건의 적용을 받습니다.

이 배터리는 현지, 국내 및 국제 규정과 법규에 따라 운송해야 합니다.

- 배터리는 추가 요구 사항 없이 도로를 통해 운송할 수 있습니다.
- 타사 리튬 이온 배터리의 상업적 운송은 위험물 규정에 따릅니다. 운송 준비 및 운송 작업은 적절한 교육을 이수한 개인만 수행해야 하고 그 과정에 해당 전문가가 동행해야 합니다.

배터리 운송 시 :

- 배터리 접촉면을 보호 및 차단하여 합선 위험을 방지하십시오.
- 배터리 팩이 포장 내에서 움직이지 않도록 고정하십시오.
- 균열 또는 누출이 있는 배터리는 운송하지 마십시오.
- 추가 지침은 운송 회사에 확인하십시오.

청소

제품의 통기구를 항상 깨끗하게 유지해야 합니다.

유지 관리

제품을 확인하고 안전을 위해 마모되거나 손상된 부품은 교체하십시오.

반드시 MILWAUKEE 부속품과 MILWAUKEE 예비품을 사용하십시오. 언급하지 않은 구성 부품을 교체해야 하는 경우 MILWAUKEE 서비스 센터 중 한 곳에 문의하십시오(보충/서비스 주소 목록 참조).

필요 시, 제품의 분해 조립도를 주문할 수 있습니다. 라벨에 인쇄되어 있는 제품 유형과 6자리 번호를 알려주고 현지 서비스 대리점에서 도면을 주문하십시오.

기호



제품 사용 전, 설명서를 자세히 읽으십시오.



주의! 경고! 위험!



제품 사용 전, 배터리 팩을 제거하십시오.



제품을 사용할 때 항상 보안경을 착용하십시오.



귀마개를 착용하십시오!



적합한 분진 보호 마스크를 착용하십시오.



장갑을 착용하십시오!



공구를 비에 노출시키지 마십시오.



공기 인입구에서 손을 멀리 유지하지 않을 경우 개인 부상이 초래될 수 있습니다.



공기 흡입구에서 긴 머리 카락을 멀리 떨어져 있게 하면 신체적 상해가 발생할 수 있습니다.



공기 흡입구에 유입될 수 있는 느슨한 옷이나 장신구를 착용하지 마십시오.



사람들이 가까이 오지 못하도록 하십시오.



재료가 튀거나 떨어질 위험이 있는 위험한 곳에 아무도 없어야 합니다.



이 라벨에 표시된 보장 음향 출력 레벨은 83dB입니다.

n_0

무부하 속도

V

전압



직류

폐 배터리, 폐 전기 및 전자 장비를 분류되지 않은 가정용 폐기물로 처리하지 마십시오. 폐 배터리와 폐 전기 및 전자 장비는 별도로 수거해야 합니다. 폐 배터리, 폐기물 어쿠뮴레이터 및 광원은 장비에서 제거해야 합니다.

재활용에 관한 조언과 수거 지점에 대해서는 지방 정부당국이나 소매업자에게 확인하십시오.

현지 규정에 따라 소매업체는 폐 배터리와 폐 전기 및 전자 장비를 무상으로 회수할 의무가 있을 수 있습니다. 폐 배터리와 폐 전기 및 전자 장비를 재사용하고 재활용하면 원자재 수요를 줄이는 데 도움이 됩니다.

특히 리튬이 포함된 폐 배터리와 폐 전기 및 전자 장비에는 가치 있고 재활용 가능한 재료가 포함되어 있어 환경 친화적인 방식으로 폐기하지 않으면 환경과 인간의 건강에 악영향을 끼칠 수 있습니다. 해당하는 경우, 폐 장비에서 개인 데이터를 삭제합니다.

ข้อมูลทางเทคนิค**M18 F2BL**

ประเภทผลิตภัณฑ์	เครื่องเป่าใบไม้ไร้สาย ระบบแบตเตอรี่
แรงดันไฟแบตเตอรี่	2 x 18 V ---
กระแสไฟฟ้าอินพุตตามอัตรา	25 A
ความเร็วรอบเปล่า	0-16750/นาที
ความเร็วลม	0-233 km/h
อัตราการไหลของลม	0-17 m ³ /min
น้ำหนักอิงตามขั้นตอนมาตรฐาน EPTA เลขที่ 01/2014 (2 x 2.0 Ah - 12.0 Ah)	3.63 – 5.90 kg
อุณหภูมิในการทำงานที่แนะนำ	-18 – +50 °C
แบตเตอรี่ที่แนะนำ	M18B...; M18HB...
แท่นชาร์จที่แนะนำ	M12-18...; M18 DFC

ข้อมูลเกี่ยวกับเสียงรบกวน

ค่าการปล่อยเสียงรบกวนที่คำนวณตามมาตรฐาน EN 50636-2-100 ภาคผนวก CC

ระดับแรงดันของเสียงที่ถ่วงน้ำหนัก A	82.0 dB (A)
ค่า K แปรผัน	3.0 dB (A)
ระดับกำลังของเสียงที่ถ่วงน้ำหนัก A	90.8 dB (A)
ค่า K แปรผัน	3.0 dB(A)

ใส่อุปกรณ์ป้องกันสายตาอยู่เสมอ

ข้อมูลเกี่ยวกับการสั่น

ค่าการสั่นรวม (ผลรวมเวกเตอร์สามแกน) ที่คำนวณตามมาตรฐาน EN 50636-2-100 ภาคผนวก BB

ค่าการปล่อยการสั่นสะเทือน a _w	0.31 m/s ²
ค่า K แปรผัน	1.5 m/s ²

คำเตือน!

ค่าระดับการสั่นสะเทือนรวมที่ระบุและค่าระดับเสียงดังรบกวนที่ระบุในเอกสารคู่มือการใช้งานฉบับนี้ได้รับการวัดผลตามการทดสอบที่เป็นไปตามมาตรฐานที่กำหนดไว้ใน EN 50636-2-100 ภาคผนวก BB และอาจนำไปใช้เพื่อเปรียบเทียบกับเครื่องมืออื่นๆ สามารถใช้สำหรับการประเมินความเสี่ยงในเบื้องต้น

ค่าการสั่นสะเทือนและการเสียงดังรบกวนที่ระบุเป็นข้อมูลสำหรับการใช้งานหลักของเครื่องมือ อย่างไรก็ตาม หากเครื่องมือถูกใช้งานผิดประเภท กับอุปกรณ์เสริมที่แตกต่างกัน หรือการบำรุงรักษาไม่ดีพอ ระดับการสั่นสะเทือนและเสียงดังรบกวนอาจจะแตกต่างกันออกไป สภาพเหล่านี้อาจทำให้ระดับความเสี่ยงเพิ่มขึ้นอย่างมีนัยสำคัญตลอดช่วงเวลาการทำงานทั้งหมด

ควรพิจารณาประเมินระดับความเสียงของการสั่นและเสียงดังรบกวนทุกครั้งที่เปิดเครื่องมือหรือขณะที่เครื่องกำลังเดินเบา สภาพเหล่านี้อาจทำให้ระดับความเสี่ยงลดลงอย่างมีนัยสำคัญตลอดระยะเวลาการทำงาน

รณมาตรการความปลอดภัยเพิ่มเติมเพื่อปกป้องผู้ปฏิบัติงานจากผลกระทบของการสั่นสะเทือนและเสียงดัง เช่น การบำรุงรักษาเครื่องมือและอุปกรณ์เสริม ทำให้มีมืออบอุ่นตลอดเวลา และจัดระเบียบรูปแบบของงาน

คำเตือน! อ่านวิธีใช้ ภาพประกอบ ข้อมูลจำเพาะ และคำเตือนด้านความปลอดภัยทั้งหมดที่พิมพ์กับผลิตภัณฑ์ การไม่ปฏิบัติตามคำแนะนำที่แสดงอยู่ด้านล่าง อาจทำให้เกิดไฟฟ้าช็อต เพลิงไหม้ และ/หรือการบาดเจ็บรุนแรงได้ โปรดเก็บเอกสารคำเตือนและคำแนะนำทั้งหมดเพื่อใช้อ้างอิงในอนาคต

คำเตือนด้านความปลอดภัยของเครื่องเป่าใบไม้ไร้สาย**การฝึกอบรม**

อ่านคำแนะนำอย่างละเอียด ทำความคุ้นเคยกับการควบคุมและการใช้งานอุปกรณ์อย่างถูกต้อง

โปรดฟังจดจำผู้ปฏิบัติงานหรือผู้ใช้งานที่ต้องรับผิดชอบสำหรับอุบัติเหตุหรืออันตรายที่เกิดขึ้นกับบุคคลอื่น หรือทรัพย์สินของพวกเขา

การเตรียมความพร้อม

รับอุปกรณ์ป้องกันการได้ยินและแว่นตาที่จำเป็น สวมอุปกรณ์ดังกล่าวไว้ตลอดเวลาที่ใช้งานผลิตภัณฑ์

ในระหว่างใช้งานผลิตภัณฑ์ให้สวมรองเท้าที่แข็งแรงทนทานและกางเกงขายาวเสมอ อย่าใช้งานผลิตภัณฑ์ในขณะที่เท้าเปล่าหรือสวมรองเท้าหุ้มส้นหรือรองเท้าแตะ หลีกเลี่ยงการสวมเสื้อผ้าที่หลวม หรือมีสายหรือเชือกห้อย

ห้ามสวมเสื้อผ้าหรือเครื่องประดับที่หลวมซึ่งอาจถูกดึงเข้าไปในช่องทางเข้าอากาศได้ หากผมยาว ให้รักษาระยะห่างจากช่องทางเข้าอากาศ

ใช้ผลิตภัณฑ์ในตำแหน่งที่แนะนำ และบนพื้นผิวที่มั่นคงและได้ระดับเท่านั้น

ห้ามใช้งานผลิตภัณฑ์บนพื้นผิวลาดเอียงหรือมีกรวดทราย ซึ่งวัสดุที่ติดออกมาอาจทำให้เกิดการบาดเจ็บได้

การปฏิบัติงาน

ห้ามใช้ผลิตภัณฑ์ในขณะที่มีบุคคล โดยเฉพาะเด็กเล็กหรือสัตว์เลี้ยงอยู่ใกล้เคียง

ยืนให้ห่างจากบริเวณปล่อยประจุเสมอ ในขณะที่ใช้งานผลิตภัณฑ์นี้

หากผลิตภัณฑ์มีการอุดตัน ให้ถอดแบตเตอรี่ออกก่อนการล้างสิ่งสกปรกออก

ห้ามใช้งานผลิตภัณฑ์ที่มีอุปกรณ์ป้องกันหรือแผ่นป้องกันที่ชำรุด หรือไม่มีอุปกรณ์รักษาความปลอดภัย เช่น ตัวสะสมเศษวัสดุ

หยุดการทำงานของผลิตภัณฑ์ และถอดแบตเตอรี่ออกจากผลิตภัณฑ์ ตรวจสอบให้แน่ใจว่าชิ้นส่วนที่เคลื่อนไหวทั้งหมดหยุดสนิทแล้ว:

- เมื่อไรก็ตามที่คุณอยู่ห่างจากอุปกรณ์
- ก่อนการล้างสิ่งอุดตันหรือแก้ไขการอุดตันของราง
- ก่อนการตรวจสอบ การทำความสะอาด หรือทำงานใดๆ กับผลิตภัณฑ์

ห้ามใช้ผลิตภัณฑ์เพื่อการดูแล

ห้ามแปาวิสต์ที่ร้อน ตัดไฟได้ หรือระเบิดได้

ใช้ผลิตภัณฑ์เฉพาะในสภาพแวดล้อมแสดงตนกลางวันหรือแสงไฟที่ตีหน้านั้น

ตรวจสอบว่าห้าของคองอยู่บนเนินเสมอ

ห้ามแปาเข้าหัวที่อยู่บริเวณใกล้เคียง อย่าใช้งานผลิตภัณฑ์โดยไม่มีท่อ

ให้เดิน ห้ามวิ่ง

รักษาของระบายความร้อนทั้งหมดให้ปราศจากสิ่งสกปรก

พึงระมัดระวังอย่าให้ผู้ที่อยู่ใกล้เคียงได้รับบาดเจ็บจากวัตถุแปลกปลอมกระเด็นไปจากผลิตภัณฑ์

ห้ามใช้ผลิตภัณฑ์เพื่อการดูแลของเหลว!

ห้ามใช้งานเกินขีดความสามารถ และรักษาสวมคลุมของตัวคุณไว้ตลอดเวลา

อย่าใช้ผลิตภัณฑ์กลางสายฝนหรือที่รั่วข้างนอกภายใต้สายฝน

หากห้าผลิตภัณฑ์ที่ล้ม เกิดการกระแทกหรือชนอย่างรุนแรง หรือเริ่มสันนิษคิดปกติโปรดหยุดใช้งานทันทีและตรวจสอบความเสียหายหรือตรวจหาสาเหตุของการสันนิษคิดดังกล่าว หากมีส่วนใดๆ ที่ได้รับความเสียหาย ควรนำไปส่งให้ ศูนย์บริการ ที่ได้รับอนุญาต ดำเนินการซ่อมแซมหรือเปลี่ยน

การบำรุงรักษาและจัดเก็บ

เมื่อหยุดการทำงานของผลิตภัณฑ์เพื่อทำการซ่อมแซม ตรวจสอบ จัดเก็บ หรือเปลี่ยนอุปกรณ์เสริม ให้ถอดก่อนแบตเตอรี่ออกและให้แน่ใจว่าชิ้นส่วนที่เคลื่อนไหวกทั้งหมดได้หยุดสนิทแล้ว รอให้ผลิตภัณฑ์เย็นลงก่อนที่จะทำการตรวจสอบ ปรับเปลี่ยน หรือดำเนินการอื่น ๆ เก็บรักษาผลิตภัณฑ์ด้วยความระมัดระวัง และดูแลให้สะอาดอยู่เสมอ

จัดเก็บผลิตภัณฑ์ในที่แห้ง และห่างจากการเข้าถึงของเด็ก รอให้ผลิตภัณฑ์เย็นลงก่อนที่จะทำการจัดเก็บ

ห้ามตัดแปลงแก้ไขผลิตภัณฑ์ การตัดแปลงที่ไม่ได้รับอนุญาตอาจทำให้ความปลอดภัยของผลิตภัณฑ์เสื่อมลง และอาจส่งผลต่อเสียงดังและการสันนิษคิดที่เพิ่มขึ้น ชนนิษคิด สกปรก และสกปรกทั้งหมดให้แห้งเพื่อให้แน่ใจว่าผลิตภัณฑ์อยู่ในสภาพการทำงานที่ปลอดภัยเสมอ

ตรวจสอบผลิตภัณฑ์และเปลี่ยนชิ้นส่วนที่สึกหรอหรือชำรุดเสียหายเพื่อให้ความปลอดภัย

เปลี่ยนชิ้นส่วนที่สึกหรอหรือเสียหายเพื่อความปลอดภัย ใช้เฉพาะชิ้นส่วนอะไหล่และอุปกรณ์เสริมของเท่านั้น

ห้ามพยายามยกเด็กคุณสมบัตินี้หรือล้อของแผ่นป้องกัน

คำแนะนำด้านความปลอดภัยเพิ่มเติม

ห้ามให้เด็ก บุคคลที่มีความบกพร่องทางกาย การรับรู้ หรือทางจิต ตลอดจนบุคคลที่ขาดประสบการณ์และความรู้ หรือบุคคลที่ไม่คุ้นเคยกับคำแนะนำเหล่านี้ใช้งานผลิตภัณฑ์ กฎระเบียบของท้องถิ่นอาจจำกัดอายุของผู้ปฏิบัติงาน เด็กควรได้รับการดูแลเพื่อให้งานใจว่าเด็กจะไม่นำผลิตภัณฑ์ไปเล่น ถอดชุดแบตเตอรี่ออกก่อนเริ่มทำการใด ๆ กับผลิตภัณฑ์

อย่าใช้แบตเตอรี่จากระบบอื่น ๆ

สภาพการใช้งานที่กำหนด

ผลิตภัณฑ์นี้มิจุดประสงค์ในการใช้งานเพื่อเป้าสภกปรกและเศษใบไม้

ห้ามใช้ผลิตภัณฑ์เพื่อวัตถุประสงค์อื่นนอกเหนือจากที่ระบุ

ความเสี่ยงอื่นๆ

ถึงแม้เครื่องมือจะได้รับการใช้ตามที่กำหนด แต่ก็ไม่สามารถกำจัดปัจจัยความเสี่ยงที่หลงเหลืออยู่ได้ อาจเกิดภัยอันตรายต่อไประหว่างการใช้งานได้ และผู้ใช้งานควรระมัดระวังเป็นพิเศษเพื่อหลีกเลี่ยงภัยอันตรายต่อไปนี้:

- การบาดเจ็บที่เกิดจากแรงสั่นสะเทือน
 - จับบริเวณที่จับเฉพาะของผลิตภัณฑ์และอย่าใช้งานติดต่อกันเป็นเวลานาน
- ระบบการได้ยินอาจได้รับความเสียหาย หากได้ยินเสียงดัง
- ความผิดปกติในการได้ยิน การจำกัดการสัมผัส และความรู้สึกของอุปกรณ์ป้องกันที่เหมาะสม
- การบาดเจ็บเนื่องจากเศษวัสดุที่กระเด็น

- สวมอุปกรณ์ป้องกันส่วนบุคคลที่เหมาะสม คางเกงขายาว ถุงมือ รองเท้าหนา และแว่นนิรภัย ตลอดเวลา

แบตเตอรี่

ควรชาร์จแบตเตอรี่ที่ไม่ได้ใช้งานเป็นระยะเวลาหนึ่งก่อนที่จะใช้งาน

ประสิทธิภาพของแบตเตอรี่จะลดลงหากอุณหภูมิสูงกว่า 50°C หลีกเลี่ยงไม่ให้ถูกแสงแดดหรือความร้อนเป็นเวลานาน (เสี่ยงต่อความร้อนเกิน)

ต้องหมั่นดูแลความสะอาดหน้าสัมผัสตัวชาร์จกับชุดแบตเตอรี่

เพื่อยืดอายุการใช้งาน ควรชาร์จแบตเตอรี่ให้เต็มหลังการใช้งาน

เพื่อรักษาอายุแบตเตอรี่ให้นานที่สุด ให้ถอดชุดแบตเตอรี่ออกจากตัวชาร์จเมื่อชาร์จไว้เต็ม

สำหรับชุดแบตเตอรี่ที่ต้องการเก็บไว้นานกว่า 30 วัน:

- เก็บชุดแบตเตอรี่ไว้ที่อุณหภูมิต่ำกว่า 27°C และหลีกเลี่ยงความชื้น
- เก็บชุดแบตเตอรี่ไว้ที่ประจุ 30% - 50%
- ให้ชาร์จแบตเตอรี่ตามปกติทุกหกเดือนที่เก็บ

ห้ามทิ้งแบตเตอรี่ที่ใช้แล้วกับขยะรีไซเคิลหรือโดยการนำทำลาย ผู้แทนจำหน่ายของ MILWAUKEE มีข้อเสนอในการกู้คืนแบตเตอรี่เก่าเพื่อปกป้องสภาพแวดล้อมของเรา

ไม่เก็บชุดแบตเตอรี่ไว้รวมกับวัตถุอื่นที่เป็นโลหะ (เสี่ยงต่อการลัดวงจร)

ชาร์จชุดแบตเตอรี่ System M18 ด้วยตัวชาร์จสำหรับ System M18 เท่านั้น อย่าใช้แบตเตอรี่จากระบบอื่น ๆ

ห้ามเปิดทำลายชุดแบตเตอรี่และเครื่องชาร์จและเก็บไว้ในห้องที่แห้งเท่านั้น เก็บก่อนแบตเตอรี่และอุปกรณ์ชาร์จในที่แห้งตลอดเวลา

ห้ามไม่ให้มีชิ้นส่วนที่เป็นโลหะในส่วนของแบตเตอรี่ของตัวชาร์จ (เสี่ยงลัดวงจร)

กรดแบตเตอรี่อาจรั่วซึมจากแบตเตอรี่ที่เสียหายภายใต้อุณหภูมิสูงหรือการใช้งานที่หนักมากเกินไป หากสัมผัสกับกรดแบตเตอรี่ ให้ล้างออกทันทีด้วยน้ำสะอาด หากกรดแบตเตอรี่เข้าตา ล้างตาให้ทั่วด้วยน้ำอย่างน้อย 10 นาทีและไปพบแพทย์ทันที

คำเตือนเพิ่มเติมเกี่ยวกับความปลอดภัยของแบตเตอรี่

คำเตือน! วัสดุความเค็มในการเคปไฟใหม่ การบาดเจ็บส่วนบุคคล และความเสียหายต่อผลิตภัณฑ์ จากการลัดวงจร อย่างรุนแรงหรือ แบตเตอรี่ หรือเครื่องชาร์จไหลในของเหลวหรือปล่อยให้ออกของเหลวซึมเข้าสู่ภายใน ของเหลวที่มีฤทธิ์กัดกร่อนหรือน้ำไฟฟาจอาจก่อให้เกิดการลัดวงจรได้ เช่น น้ำทะเล สารเคมีทางอุตสาหกรรมบางชนิด และผลิตภัณฑ์ฟอกสีหรือมีส่วนผสมการฟอกสี เป็นต้น

ระบบป้องกันของชุดแบตเตอรี่

ในกรณีเกิดแรงสูงสุด การตัดขาด การหยุดชะงัก และไฟฟ้าลัดวงจรที่ก่อให้เกิดการตั้งระเบิดไฟเข้าสู่ อุปกรณ์จะสิ้นประมาณ 5 วินาที มาตรับวัดพลังงานแบตเตอรี่ตัดกะพริบ จากนั้นผลิตภัณฑ์จะปิดเครื่อง การรีเซ็ต ปล่อยไป

ภายใต้สถานการณ์รุนแรง อุณหภูมิภายในของแบตเตอรี่อาจสูงเกินไป หากเกิดเหตุการณ์ขึ้น เก่งนั้นจะกะพริบจนกว่าแผงแบตเตอรี่จะเย็นลง ให้ทำงานต่อหลังจากที่ไฟดับแล้ว

การเคลื่อนย้ายแบตเตอรี่ลิเทียม

แบตเตอรี่ลิเทียมไอออนอยู่ภายใต้ข้อกำหนดตามกฎหมายของสินค้าอันตราย

การขนส่งแบตเตอรี่เหล่านี้ต้องกระทำตามกฎระเบียบและข้อบังคับของท้องถิ่น ของประเทศ และระหว่างประเทศ

- สามารถขนส่งแบตเตอรี่ทางถนนได้โดยไม่ต้องมีข้อกำหนดเพิ่มเติม
- การขนส่งแบตเตอรี่ลิเทียม โดยผู้ให้บริการภายนอกจะต้องจัดการตามกฎระเบียบสินค้าอันตราย การเตรียมการขนส่งและการขนส่งต้องดำเนินการโดยบุคลากรที่ผ่านการฝึกอบรมแล้วเท่านั้น และในระหว่างดำเนินการต้องมีผู้เชี่ยวชาญที่เกี่ยวข้องคอยกำกับดูแล

เมื่อขนย้ายแบตเตอรี่:

- โปรดตรวจสอบให้แน่ใจว่าตัวสัมผัสของแบตเตอรี่ได้รับการปกป้องและติดตั้งฉนวนเพื่อป้องกันการลัดวงจร
- ตรวจสอบให้แน่ใจว่าก่อนแบตเตอรี่ได้รับการปกป้องอย่างเหมาะสมในบรรจุภัณฑ์
- ห้ามเคลื่อนย้ายแบตเตอรี่ที่แตกหรือรั่ว
- โปรดสอบถามบริษัทขนส่งหากหน้าต้องการคำแนะนำเพิ่มเติม

การหาความสะอาด

ต้องให้ช่องระบายอากาศเปิดโล่งอยู่ตลอดเวลา

การบำรุงรักษา

ตรวจสอบผลิตภัณฑ์และเปลี่ยนชิ้นส่วนที่สึกหรอหรือชำรุดเสียหายเพื่อให้มีความปลอดภัย

ใช้อุปกรณ์เสริมและชิ้นส่วนสำรองของ MILWAUKEE เท่านั้น หากจำเป็นต้องเปลี่ยนส่วนประกอบที่ไม่ได้อธิบายไว้ โปรดติดต่อศูนย์บริการของ MILWAUKEE (ดูที่รายการการรับประกัน/ที่อยู่ของศูนย์บริการของเรา)

ท่านสามารถส่งภาพกระจายชิ้นส่วนประกอบของผลิตภัณฑ์ได้ หากต้องการ โปรดระบุประเภทผลิตภัณฑ์ที่พิมพ์ไว้พร้อมหมายเลขหกหลักบนฉลาก และส่งชื่อแผนภาพจากตัวแทนจำหน่ายในพื้นที่ของคุณ

เครื่องหมาย



โปรดอ่านคำแนะนำอย่างระมัดระวังก่อนเริ่มใช้เครื่องมือ



ระวัง! ค่าเตือน! อันตราย!



ถอดชุดแบตเตอรี่ออกก่อนเริ่มการทำงานใด ๆ กับผลิตภัณฑ์



สวมแว่นตานิรภัยทุกครั้งที่ใช้ผลิตภัณฑ์นี้



โปรดสวมอุปกรณ์ปกป้องการได้ยิน



ให้สวมหน้ากากป้องกันฝุ่นที่เหมาะสม



สวมถุงมือ



ห้ามให้เครื่องมือเปียกฝน



ความล้มเหลวในการหลีกเลี่ยงมือให้ห่างจากช่องทางเข้าอากาศอาจส่งผลต่อการบาดเจ็บเสียหายส่วนบุคคลได้



หากไม่สามารถเก็บรวมหมันที่ยาวให้ห่างจากช่องอากาศได้ อาจทำให้เกิดการบาดเจ็บส่วนบุคคล



ห้ามสวมเสื้อผ้าหรือเครื่องประดับที่หลวมซึ่งอาจถูกดึงเข้าไปในช่องทางเข้าอากาศได้



ดูแลให้ผู้อยู่ใกล้เคียงห่างจากพื้นที่ทำงานเสมอ



ตรวจสอบให้แน่ใจว่าไม่มีบุคคลโดยอยู่ในบริเวณพื้นที่ความเสี่ยงของเครื่องมือถูกตัดออกหรือผลิตภัณฑ์ที่หล่นจากที่สูง



ระดับความดังของเสียงที่รับประกันบนฉลากนี้อยู่ที่ 83 dB

n_0

ความเร็วรอบเปล่า

V

แรงดันไฟฟ้า



กระแสตรง



อย่าทิ้งแบตเตอรี่ใช้แล้ว ชะยะอุปกรณ์ไฟฟ้าและอิเล็กทรอนิกส์ร่วมกับขยะในครัวเรือนโดยไม่ได้แยกประเภท ให้ทิ้งแบตเตอรี่ใช้แล้ว ชะยะอุปกรณ์ไฟฟ้าและอิเล็กทรอนิกส์แยกต่างหาก หลังยกเลิกใช้งานอุปกรณ์ จะต้องถอดแยกแบตเตอรี่ใช้แล้ว ตัวสะสมพลังงานที่ใช้แล้ว และแหล่งกำเนิดแสงที่ใช้แล้วออกมาจากตัวเครื่อง

ตรวจสอบกับผู้มีอำนาจในท้องถิ่นของคุณหรือร้านค้าปลีกสำหรับคำแนะนำในการรีไซเคิลและจัดเก็บรวบรวมภายใต้กฎระเบียบในท้องถิ่น ร้านค้าอาจมีข้อผูกมัดในการรวบรวมขยะแบตเตอรี่ใช้แล้วและชะยะอุปกรณ์ไฟฟ้าและอิเล็กทรอนิกส์กลับมาโดยไม่มีค่าใช้จ่ายเพิ่มเติม การนำมาใช้ใหม่และการรีไซเคิลของแบตเตอรี่ใช้แล้ว ชะยะอุปกรณ์ไฟฟ้าและอิเล็กทรอนิกส์จะช่วยลดการใช้วัตถุดิบใหม่ซึ่งช่วยอนุรักษ์ทรัพยากรได้

แบตเตอรี่ใช้แล้ว โดยเฉพาะที่มีสารลิเทียม และชะยะอุปกรณ์ไฟฟ้าและอิเล็กทรอนิกส์จะมีวัสดุรีไซเคิลได้ที่มีค่า ซึ่งสามารถส่งผลกระทบต่อสิ่งแวดล้อมและสุขภาพของคน หากไม่ได้กำจัดทิ้งในลักษณะที่เป็นมิตรกับสิ่งแวดล้อม ลบข้อมูลส่วนบุคคลออกจากอุปกรณ์ที่ยกเลิกใช้งานแล้ว ถ้ามี

DATA TEKNIS**M18 F2BL**

Tipe	Blower nirkabel baterai ganda
Tegangan baterai	2 x 18 V ---
Arus masukan terukur	25 A
Kecepatan tanpa beban	0-16750/menit
Laju Udara	0-233 km/h
Tingkat aliran udara	0-17 m ³ /min
Berat berdasarkan EPTA-Procedure 01/2014 (2 x 2,0 Ah - 12,0 Ah)	3,63 – 5,90 kg
Suhu pengoperasian sekitar yang direkomendasikan	-18 – +50 °C
Paket baterai yang direkomendasikan	M18B...; M18HB...
Pengisi daya yang direkomendasikan	M12-18...; M18 DFC

Informasi kebisingan

Nilai emisi derau ditentukan menurut EN 50636-2-100 Lampiran CC

Tingkat tekanan suara tertimbang A	82,0 dB (A)
K Ketidakpastian	3,0 dB (A)
Tingkat daya suara tertimbang A	90,8 dB (A)
K Ketidakpastian	3,0 dB(A)

Selalu gunakan pelindung mata.

Informasi vibrasi

Nilai getaran total (jumlah vektor ketiga sumbu) ditentukan berdasarkan EN 50636-2-100 Lampiran BB

Nilai a_n emisi getaran	0,31 m/s ²
K Ketidakpastian	1,5 m/s ²

⚠ PERINGATAN!

Tingkat getaran total yang dinyatakan dan tingkat emisi derau yang dinyatakan dalam lembar informasi ini telah diukur sesuai dengan uji standar yang ditentukan dalam EN 50636-2-100 Lampiran BB dan dapat digunakan untuk membandingkan satu alat dengan alat lainnya. Dapat digunakan untuk penilaian awal keterpaparan.

Tingkat getaran dan emisi derau yang dinyatakan menggambarkan aplikasi utama alat ini. Namun jika alat ini digunakan untuk aplikasi yang berbeda, dengan aksesoris yang berbeda atau tidak dirawat dengan baik, getaran dan emisi kebisingan yang timbul mungkin berbeda. Kondisi ini dapat meningkatkan tingkat paparan secara signifikan sepanjang periode kerja keseluruhan.

Perkiraan tingkat paparan terhadap getaran dan derau juga harus memperhitungkan saat-saat ketika alat dimatikan atau ketika produk sedang dinyalakan tetapi tidak digunakan. Kondisi ini dapat menurunkan tingkat paparan secara signifikan selama periode kerja total.

Identifikasi langkah-langkah keselamatan tambahan untuk melindungi operator dari efek getaran dan derau, seperti merawat peralatan dan aksesorinya, menjaga tangan tetap hangat, dan mengatur pola kerja.

⚠ PERINGATAN! Baca semua peringatan keselamatan, petunjuk, ilustrasi, dan spesifikasi yang disertakan bersama produk. Tidak dipatuhinya semua petunjuk di bawah ini, dapat berakibat sengatan listrik, kebakaran, dan/atau cedera parah.

Simpan semua peringatan dan petunjuk sebagai referensi sewaktu-waktu.

PERINGATAN KESELAMATAN BLOWER TANPA KABEL**LATIHAN**

Bacalah petunjuk dengan teliti. Kenali fungsi kendali dan penggunaan produk yang benar.

Ingatlah bahwa operator atau pengguna bertanggung jawab atas kecelakaan atau bahaya yang terjadi pada orang lain atau properti mereka.

PERSIAPAN

Siapkan kacamata pelindung dan pengaman telinga. Selalu gunakan keduanya selama mengoperasikan produk ini.

Saat mengoperasikan produk, selalu kenakan alas kaki yang

kokoh dan celana panjang. Jangan mengoperasikan produk saat bertelanjang kaki atau mengenakan sandal terbuka. Hindari memakai pakaian yang longgar atau yang memiliki tali atau ikatan yang menggantung.

Jangan memakai pakaian atau perhiasan longgar yang dapat tertarik masuk ke dalam saluran masuk udara. Jauhkan rambut panjang dari saluran masuk udara.

Operasikan produk dalam posisi yang direkomendasikan dan hanya pada permukaan yang keras dan rata.

Jangan mengoperasikan produk pada permukaan yang diperkeras atau berkerikil di mana bahan yang terlonjar dapat menyebabkan cedera.

PENGOPERASIAN

Jangan mengoperasikan produk ketika ada orang, khususnya anak-anak atau binatang peliharaan berada di sekitar.

Selalu berdiri jauh dari zona pembuangan saat mengoperasikan produk.

Jika produk tersumbat, lepaskan baterai sebelum membersihkan kotoran.

Jangan sekali-kali mengoperasikan produk dengan pelindung atau perisai yang cacat, atau tanpa alat pengaman - misalnya, pengumpul puing - terpasang di tempatnya.

Hentikan produk dan keluarkan baterai dari produk. Pastikan semua komponen yang bergerak telah berhenti dengan sempurna:

- ketika Anda meninggalkan produk ini
- sebelum membersihkan penyumbatan pada saluran
- sebelum memeriksa, membersihkan atau mengerjakan apa pun pada produk

Jangan gunakan produk untuk mengisap.

Jangan mengembus material yang panas, mudah terbakar, atau mudah meledak.

Gunakan produk hanya di siang hari atau dengan pencahayaan buatan yang baik.

Selalu pastikan Anda berpijak di tempat landai.

Jangan pernah mengembus ke arah pengamat. Jangan mengoperasikan produk tanpa pipa (tube) yang terpasang.

Berjalan, jangan pernah berlari.

Jaga kebersihan semua saluran udara pendingin dari kotoran.

Berhati-hatilah agar pengamat tidak terluka oleh benda asing yang terlempar dari produk.

Jangan gunakan produk untuk mengisap cairan.

Jangan menjangkau terlalu jauh dan jaga keseimbangan Anda setiap saat.

Jangan gunakan produk di bawah hujan atau meninggalkan produk di luar ruangan saat hujan.

Jika produk terjatuh, rusak berat, atau mulai bergetar secara tidak normal, segera matikan produk dan periksa kerusakan atau identifikasi penyebab getaran. Bagian manapun yang rusak atau aus harus diperbaiki sebagaimana mestinya atau diganti oleh pusat layanan resmi.

PERAWATAN DAN PENYIMPANAN

Bila produk dihentikan untuk diservis, diperiksa, atau disimpan, atau untuk mengganti aksesoris, keluarkan unit baterai dan pastikan semua komponen yang bergerak telah berhenti dengan sempurna. Biarkan produk menjadi dingin sebelum melakukan inspeksi, penyesuaian, dll. Rawat produk dengan hati-hati dan jaga agar tetap bersih.

Simpan produk di tempat yang kering dan jauh dari jangkauan anak-anak. Selalu biarkan produk mendingin sebelum menyimpannya.

Jangan memodifikasi produk. Modifikasi yang tidak resmi dapat mengurangi faktor keselamatan produk Anda dan dapat menambah tingkat kebisingan dan getaran.

Jaga semua mur, baut, dan sekrup tetap kencang untuk memastikan produk dalam kondisi kerja yang aman.

Periksa produk dan ganti bagian yang aus atau rusak untuk keamanan.

Ganti bagian yang aus atau rusak untuk keamanan. Hanya gunakan suku cadang dan aksesoris asli.

Jangan pernah mencoba mengesampingkan fitur pengaman yang saling kunci.

PETUNJUK KESELAMATAN TAMBAHAN

Jangan membiarkan anak-anak, orang dengan kemampuan fisik, indra atau mental yang kurang, orang yang tidak memiliki pengalaman dan pengetahuan yang cukup atau orang-orang yang tidak paham dengan petunjuk penggunaan ini untuk menggunakan produk. Peraturan setempat mungkin membatasi usia operator.

Anak-anak harus diawasi untuk memastikan bahwa mereka tidak bermain dengan produk ini.

Lepaskan paket baterai sebelum memulai pekerjaan apa pun pada produk.

Jangan menggunakan unit baterai dari sistem lain.

KONDISI PENGGUNAAN KHUSUS

Produk ini dimaksudkan untuk meniup kotoran dan daun.

Jangan menggunakan produk untuk tujuan lain.

RISIKO RESIDUAL

Bahkan ketika produk digunakan seperti yang ditentukan, masih tidak mungkin untuk sepenuhnya menghilangkan faktor risiko residual tertentu. Bahaya mungkin timbul selama penggunaan produk dan operator harus memberikan perhatian khusus untuk menghindari hal-hal berikut:

- cedera yang disebabkan oleh vibrasi
 - Pegang produk dengan menggunakan tuas yang disediakan dan batasi waktu kerja dan paparan.
- cedera pendengaran yang disebabkan paparan terhadap suara
 - Kerusakan pendengaran, batasi paparan dan gunakan pelindung pendengaran yang sesuai.
- cedera akibat terbangun serpihan
 - Kenakan alat pelindung diri yang sesuai, celana panjang yang tebal, sarung tangan, alas kaki yang kuat, dan kacamata pengaman, setiap saat.

BATERAI

Paket baterai yang belum digunakan selama beberapa waktu harus diisi kembali dayanya sebelum digunakan.

Suhu yang melebihi 50°C akan mengurangi kinerja paket baterai. Hindari paparan berkepanjangan terhadap panas atau sinar matahari (risiko panas berlebihan).

Kontak pengisi daya dan paket baterai harus dijaga kebersihannya.

Untuk masa pemakaian optimal, paket baterai harus diisi dayanya hingga penuh setelah digunakan.

Untuk memaksimalkan masa pemakaian baterai, lepaskan paket baterai dari pengisi daya setelah terisi sepenuhnya.

Untuk penyimpanan paket baterai lebih dari 30 hari:

- Simpan paket baterai jika suhu berada di bawah 27°C dan jauhkan dari kelembapan.
- Simpan paket baterai dalam kondisi terisi dayanya 30% - 50%.
- Jika penyimpanan paket baterai mencapai enam bulan, isi daya baterai seperti biasa.

Jangan membuang unit baterai bekas dalam sampah rumah tangga atau membakarnya. Distributor MILWAUKEE menawarkan untuk mengambil baterai lama guna melindungi lingkungan kita.

Jangan menyimpan paket baterai bersama benda logam (risiko arus pendek).

Hanya gunakan pengisi daya System M18 untuk mengisi daya paket baterai System M18. Jangan menggunakan unit baterai dari sistem lain.

Jangan sekali-kali membuka unit baterai dan pengisi daya serta hanya simpan di tempat kering. Jaga kemasan baterai dan pengisi daya tetap kering di sepanjang waktu.

Tidak ada komponen logam yang diperbolehkan memasuki kompartemen baterai pada pengisi daya (risiko arus pendek).

Asam baterai dapat merembes dari baterai yang rusak akibat beban atau suhu yang ekstrem. Jika asam baterai mengenai Anda, segera cuci dengan sabun dan air. Jika mengenai mata, bilas sebanyak-

banyaknya selama setidaknya 10 menit dan segera dapatkan penanganan medis.

PERINGATAN KESELAMATAN BATERAI TAMBAHAN

⚠ PERINGATAN! Untuk mengurangi risiko kebakaran, cedera pribadi, dan kerusakan produk akibat hubungan arus pendek, jangan pernah merendam alat, baterai atau charger Anda dalam cairan atau membiarkan cairan mengalir di dalamnya. Cairan korosif atau konduktif, seperti air laut, bahan kimia industri tertentu, dan produk pemutih atau yang mengandung pemutih, dan sebagainya, dapat menyebabkan hubungan arus pendek.

PERLINDUNGAN KEMASAN BATERAI

Dalam kondisi torsi yang sangat tinggi, tersangkut, macet, dan korsleting yang menyebabkan arus tinggi, produk akan bergetar selama sekitar 5 detik, pengukur daya akan berkedip, dan produk kemudian akan padam. Untuk menyetele ulang, lepaskan pemacu.

Dalam kondisi ekstrem, suhu dalam baterai dapat meningkat. Jika hal ini terjadi, pengukur bahan bakar akan berkedip hingga paket baterai menjadi lebih dingin. Ketika lampu padam, lanjutkan pekerjaan.

MENGGANGKUT BATERAI LITIUUM

Baterai litium-ion tunduk pada persyaratan Legisiasi Barang Berbahaya.

Pengangkutan baterai ini harus dilakukan sesuai regulasi dan peraturan daerah, nasional, dan internasional.

- Baterai dapat diangkut melalui jalan darat tanpa persyaratan khusus.
- Pengangkutan komersial baterai lithium-ion oleh pihak ketiga harus tunduk pada Peraturan terkait Barang Berbahaya. Persiapan pengangkutan dan pengangkutan harus dilakukan oleh orang yang terlatih dan prosesnya harus didampingi oleh pakar yang terkait.

Ketika mengangkut baterai:

- Pastikan terminal kontak baterai terlindungi dan terinsulasi untuk mencegah terjadinya korsleting.
- Pastikan bahwa unit baterai aman dari gerakan dalam pengemasan.
- Jangan mengangkut baterai yang retak atau bocor.
- Tanyakan kepada perusahaan ekspedisi untuk mendapatkan saran lebih lanjut.

PEMBERSIHAN

Slot ventilasi produk tidak boleh tertutup sepanjang waktu.

PEMELIHARAAN

Periksa produk dan ganti bagian yang aus atau rusak untuk keamanan.

Gunakan hanya aksesoris MILWAUKEE dan suku cadang MILWAUKEE. Jika komponen yang belum dijelaskan harus diganti, hubungi salah satu dari pusat layanan MILWAUKEE kami (lihat daftar alamat layanan/garansi kami).

Jika diperlukan, gambar pecahan komponen dapat dipesan. Sebutkan tipe produk dan enam digit angka yang tertera pada label dan pesanlah gambarnya pada agen layanan setempat.

SIMBOL



Baca petunjuk dengan cermat sebelum memulai menggunakan produk.



PERHATIAN! PERINGATAN! BAHAYA!



Lepaskan paket baterai sebelum memulai pekerjaan apa pun pada produk.



Selalu pakai kacamata goggle saat menggunakan produk ini.



Pakai pelindung telinga.



Pakai masker pelindung debu yang tepat.



Pakai sarung tangan.



Alat ini tidak boleh terkena hujan sama sekali.



Kelalaian dalam menjauhkan tangan dari saluran masuk udara dapat menyebabkan cedera pribadi.



Kegagalan untuk menjauhkan rambut panjang dari saluran udara masuk dapat menyebabkan cedera diri.



Jangan memakai pakaian atau perhiasan longgar yang dapat tertarik masuk ke dalam saluran masuk udara.



Jauhkan pengamat.



Pastikan tidak ada orang yang berisiko terkena material yang terlempar keluar atau terjatuh.



Tingkat daya suara terjamin yang ditunjukkan pada label ini adalah 83 dB.

n_0

Kecepatan tanpa beban

V

Voltase



Arus Search



Jangan membuang limbah baterai, limbah peralatan listrik dan elektronik sebagai limbah kota yang tidak disortir. Limbah baterai dan limbah peralatan listrik dan elektronik harus dikumpulkan secara terpisah. Baterai limbah, akumulator limbah, dan sumber cahaya harus disingkirkan dari peralatan.

Tanyakan kepada pihak berwenang atau peritel setempat mengenai daur ulang dan titik pengumpulan.

Menurut peraturan setempat, penjual dapat diwajibkan untuk menerima kembali baterai bekas dan limbah peralatan listrik dan elektronik tanpa mengenakan biaya. Kontribusi Anda untuk menggunakan kembali dan mendaur ulang limbah baterai dan limbah peralatan listrik dan elektronik membantu mengurangi permintaan bahan baku. Baterai bekas, khususnya yang mengandung litium dan limbah peralatan listrik dan elektronik mengandung material berharga yang dapat didaur ulang, yang dapat berdampak buruk pada lingkungan dan kesehatan manusia, jika tidak dibuang dengan cara yang ramah lingkungan. Hapus data pribadi dari peralatan limbah, jika ada.

THÔNG SỐ KỸ THUẬT**M18 F2BL**

Loại	Máy thổi không dây
Điện áp pin	2 x 18 V ---
Dòng điện đầu vào định mức	25 A
Tốc độ không tải	0-16750/phút
Tốc độ không khí	0-233 km/h
Lưu lượng không khí	0-17 m ³ /min
Trọng lượng theo Quy Trình EPTA 01/2014 (2 x 2,0 Ah - 12,0 Ah)	3,63 – 5,90 kg
Nhiệt độ môi trường khuyến nghị khi vận hành	-18 – +50 °C
Loại pin được khuyến nghị	M18B...; M18HB...
Bộ sạc được khuyến nghị	M12-18...; M18 DFC

Thông tin về tiếng ồn

Giá trị phát sinh tiếng ồn được xác định theo tiêu chuẩn EN 50636-2-100 Phụ lục CC

Cấp độ áp suất âm thanh trọng số A	82,0 dB (A)
Độ bất định K	3,0 dB (A)
Cấp độ công suất âm thanh trọng số A	90,8 dB (A)
Độ bất định K	3,0 dB(A)

Luôn đeo thiết bị bảo vệ tai.

Thông tin về độ rung

Tổng giá trị rung (tổng vectơ trên ba trục) được xác định theo EN 50636-2-100 Phụ lục BB

Giá trị phát thải rung chấn a_n	0,31 m/s ²
Độ bất định K	1,5 m/s ²

⚠ CẢNH BÁO!

Tổng giá trị mức độ rung chấn và giá trị phát thải tiếng ồn được công bố được đưa ra trong hướng dẫn sử dụng này đã được đo theo thử nghiệm chuẩn hóa đã cho ở EN 50636-2-100 Phụ lục BB và có thể được sử dụng để so sánh với công cụ khác. Có thể sử dụng chúng để đánh giá sơ bộ về mức độ tiếp xúc.

Các giá trị phát thải tiếng ồn và rung chấn được công bố thể hiện cho ứng dụng chính của công cụ. Tuy nhiên, nếu sản phẩm được sử dụng cho các ứng dụng khác nhau, với các phụ kiện khác nhau hoặc được bảo dưỡng kém, thì mức độ phát rung chấn và tiếng ồn có thể khác nhau. Những điều kiện này có thể làm tăng đáng kể mức độ tiếp xúc trong tổng thời gian làm việc.

Việc ước tính mức độ tiếp xúc với tiếng ồn và rung chấn cần tính đến số lần công cụ được tắt hoặc khi nó đang chạy không tải. Những điều kiện này có thể làm giảm đáng kể mức độ tiếp xúc trong tổng thời gian làm việc.

Xác định các biện pháp an toàn bổ sung để bảo vệ người vận hành khỏi các tác động của rung chấn và tiếng ồn, như bảo trì công cụ và các phụ kiện, giữ cho tay ấm, sắp xếp các quy trình làm việc.

⚠ CẢNH BÁO! Hãy đọc tất cả các cảnh báo an toàn, hướng dẫn, hình minh họa và thông số kỹ thuật đi kèm dụng cụ có động cơ này. Không tuân thủ những cảnh báo và chỉ dẫn có thể dẫn đến giật điện, hỏa hoạn và/hoặc chấn thương nghiêm trọng.

Giữ lại tất cả những cảnh báo và chỉ dẫn để tham khảo sau này.

CẢNH BÁO AN TOÀN CHO MÁY THỔI KHÍ KHÔNG DÂY**ĐÀO TẠO**

Đọc kỹ hướng dẫn sử dụng. Làm quen với các điều khiển và sử dụng đúng sản phẩm.

Hãy nhớ rằng người vận hành hoặc người dùng phải chịu trách nhiệm về các tai nạn hoặc nguy hiểm xảy ra với người khác hoặc tài sản của họ.

CHUẨN BỊ

Trang bị đồ bảo vệ tai và kính an toàn. Luôn đeo những dụng cụ này khi vận hành sản phẩm.

Trong khi vận hành sản phẩm, luôn đi giày dép chắc chắn và mặc quần dài. Không vận hành sản phẩm khi đi chân trần hoặc đi dép

hở. Tránh mặc quần áo rộng hoặc có dây treo hoặc dây buộc.

Không mặc quần áo rộng hoặc đeo đồ trang sức có thể bị hút vào cửa hút gió. Để tóc dài tránh xa cửa hút gió.

Vận hành sản phẩm ở vị trí được khuyến nghị và chỉ trên bề mặt chắc chắn và bằng phẳng.

Không vận hành sản phẩm trên bề mặt lát đá hoặc sỏi, chỗ vật liệu dầy ra có thể gây thương tích.

VẬN HÀNH

Không bao giờ vận hành sản phẩm khi có người, đặc biệt là trẻ em hoặc vật nuôi ở gần đó.

Luôn tránh xa khu vực xả khi vận hành sản phẩm.

Nếu sản phẩm bị tắc, hãy tháo pin trước khi làm sạch các mảnh vụn.

Không bao giờ vận hành sản phẩm khi khung bảo vệ hoặc tấm chắn bị lỗi, hoặc không có các thiết bị an toàn, ví dụ như bộ thu gom mảnh vỡ, tại chỗ.

Dừng sản phẩm và tháo pin ra khỏi sản phẩm. Đảm bảo rằng tất cả các bộ phận chuyển động đã dừng hoàn toàn:

- bất cứ khi nào bạn rời khỏi sản phẩm
- trước khi loại bỏ các tắc nghẽn hoặc tháo gỡ máng
- trước khi kiểm tra, làm sạch hoặc tháo tác trên sản phẩm

Không sử dụng sản phẩm để hút.

Không thổi vật liệu nóng, dễ cháy hoặc nổ.

Chỉ sử dụng sản phẩm dưới ánh sáng ban ngày hoặc ánh sáng nhân tạo phù hợp.

Luôn bước vững chân trên những con dốc.

Không bao giờ thổi theo hướng của những người xung quanh. Không vận hành mà không có các ống tại chỗ.

Đi bộ, đừng bao giờ chạy.

Giữ cho tất cả các cửa hút gió làm mát không có bụi bẩn.

Chú ý không để những người xung quanh bị thương do vật lạ văng ra từ sản phẩm.

Không sử dụng sản phẩm để hút chất lỏng.

Đừng với quá cao và luôn giữ thăng bằng.

Không sử dụng sản phẩm dưới trời mưa hoặc để ngoài trời khi trời mưa.

Nếu sản phẩm rơi, bị va đập mạnh hoặc bắt đầu rung động bất thường, hãy dừng ngay sản phẩm và kiểm tra hư hỏng hoặc xác định nguyên nhân gây ra rung động. Bất kỳ hư hỏng nào phải được trung tâm bảo dưỡng được ủy quyền sửa chữa hoặc thay thế thích hợp.

BAO TRI VÀ LƯU TRỮ

Khi dừng sản phẩm để bảo dưỡng, kiểm tra hoặc bảo quản hoặc để thay phụ kiện, hãy tháo bộ pin và đảm bảo rằng tất cả các bộ phận chuyển động đã dừng hoàn toàn. Để sản phẩm nguội trước khi thực hiện bất kỳ kiểm tra, điều chỉnh nào, v.v. Bảo quản sản phẩm cẩn thận và giữ sạch sẽ.

Bảo quản sản phẩm ở nơi khô ráo, tránh xa tầm tay trẻ em. Luôn để sản phẩm nguội trước khi bảo quản.

Không sửa đổi sản phẩm. Các sửa đổi trái phép có thể làm giảm độ an toàn của sản phẩm và có thể làm tăng tiếng ồn và độ rung.

Siết chặt tất cả các đai ốc, bu lông và ốc vít để đảm bảo rằng sản phẩm ở trong tình trạng làm việc an toàn.

Kiểm tra sản phẩm và thay thế các bộ phận bị mòn hoặc hư hỏng để đảm bảo an toàn.

Thay thế các bộ phận bị mòn hoặc hư hỏng để đảm bảo an toàn. Chỉ sử dụng các bộ phận và phụ kiện thay thế chính hãng.

Không bao giờ tìm cách khống chế tính năng được khóa liên động của khung bảo vệ.

CÁC HƯỚNG DẪN AN TOÀN BỔ SUNG

Không bao giờ cho phép trẻ em, người có chức năng thể chất, giác quan hoặc nhận thức suy giảm, người thiếu kiến thức và kinh nghiệm, hoặc những người không biết những hướng dẫn này sử dụng sản phẩm. Các quy định của địa phương có thể hạn chế tuổi tác của người vận hành.

Nên trông chừng trẻ để đảm bảo rằng trẻ không nghịch sản phẩm.

Tháo pin trước khi bắt đầu tháo tác với sản phẩm.

Không sử dụng bình pin từ các hệ thống khác.

ĐIỀU KIỆN SỬ DỤNG CỤ THỂ

Sản phẩm dùng để thổi bụi bẩn và lá cây.

Không sử dụng sản phẩm cho bất kỳ mục đích nào khác.

RỦI RO CÓ HỨU

Ngay cả khi sử dụng sản phẩm theo chỉ định, thì vẫn không thể loại

bỏ hoàn toàn các yếu tố rủi ro còn lại. Các mối nguy hiểm sau đây có thể phát sinh khi sử dụng sản phẩm và người vận hành cần đặc biệt chú ý để tránh những điều sau đây:

- chấn thương do rung động
 - Giữ sản phẩm bằng tay cầm được chỉ định và hạn chế thời gian làm việc và tiếp xúc.
- tổn thương thính giác do tiếp xúc với tiếng ồn
 - Hạn chế tiếp xúc và đeo đồ bảo vệ thính giác phù hợp.
- bị thương do mảnh vỡ bay ra
 - Luôn đeo thiết bị bảo hộ cá nhân thích hợp, mặc quần dài dày, đeo găng tay, xỏ giày dép chắc chắn và đeo kính an toàn.

PIN

Pin chưa được sử dụng trong một thời gian dài nên được sạc lại trước khi sử dụng.

Nhiệt độ vượt quá 50°C làm giảm hiệu năng của pin. Tránh tiếp xúc trong thời gian dài với nhiệt độ hoặc ánh nắng mặt trời (nguy cơ quá nhiệt).

Các điểm tiếp xúc của bộ sạc và bộ pin phải được giữ sạch sẽ.

Để có tuổi thọ tối ưu, các pin phải được sạc đầy sau mỗi lần sử dụng.

Để đảm bảo tuổi thọ pin lâu nhất có thể, hãy rút pin ra khỏi bộ sạc sau khi nó được sạc đầy.

Khi cất trữ pin lâu hơn 30 ngày:

- Bảo quản pin ở nơi khô, có nhiệt độ dưới 27°C.
- Bảo quản pin trong điều kiện sạc 30% - 50%
- Sau mỗi 6 tháng bảo quản, sạc pin như bình thường.

Không tháo bỏ pin cũ theo rác thải sinh hoạt hoặc đốt chúng. Các nhà phân phối MILWAUKEE đề nghị được lấy lại các pin cũ để bảo vệ môi trường của chúng ta.

Không bảo quản pin cùng với vật dụng kim loại (nguy cơ ngắn mạch).

Chỉ sử dụng các bộ sạc hệ M18 để sạc pin hệ M18. Không sử dụng bình pin từ các hệ thống khác.

Không bao giờ tự ý mở các pin và bộ sạc, và chỉ bảo quản chúng trong các phòng khô. Luôn đảm bảo các pin và bộ sạc được khô.

Không để các chi tiết kim loại đi vào phần chứa pin của bộ sạc (nguy cơ ngắn mạch).

Axit trong pin có thể rò rỉ từ pin bị hư hại trong điều kiện nhiệt độ khắc nghiệt hoặc tải quá nặng. Nếu bị tiếp xúc với axit trong pin, hãy rửa ngay lập tức bằng xà phòng và nước. Trong trường hợp axit tiếp xúc với mắt, hãy rửa sạch trong ít nhất 10 phút và ngay lập tức đi khám bác sĩ.

CÁC CẢNH BÁO AN TOÀN BỔ SUNG CHO PIN

⚠ CẢNH BÁO! Để giảm nguy cơ hỏa hoạn, chấn thương cá nhân và hư hại sản phẩm do ngắn mạch, không bao giờ nhúng sản phẩm, pin hay bộ sạc trong chất lỏng hoặc cho phép chất lỏng xâm nhập vào chúng. Các chất lỏng ăn mòn hoặc dẫn điện, ví dụ như nước biển, một số hóa chất công nghiệp, và chất tẩy hoặc sản phẩm chứa chất tẩy, v.v., đều có thể gây ngắn mạch.

BẢO VỆ PIN

Trong các tình huống lực siết lớn, kẹp, kẹt và ngắn mạch có thể tăng cường độ dòng điện, dụng cụ sẽ rung khoảng 5 giây, đồng hồ xăng sẽ nháy sáng, và sau đó sản phẩm bị tắt. Để đặt lại, hãy nhả cò ra.

Trong các tình huống khắc nghiệt, nhiệt độ bên trong của bộ pin có thể tăng lên quá cao. Nếu điều này xảy ra, đèn báo mức pin sẽ nháy sáng cho đến khi người dùng tắt. Sau khi đèn tắt, tiếp tục làm việc.

VẬN CHUYỂN PIN LITHIUM

Các pin lithium-ion cần tuân thủ Luật về Hàng hóa Nguy hiểm.

Việc vận chuyển các pin này phải được thực hiện theo các điều kiện và quy định của địa phương, quốc gia và quốc tế.

- Pin có thể được vận chuyển bằng đường bộ mà không có yêu cầu nào khác.
- Việc vận chuyển thương mại pin lithium-ion bởi các bên thứ ba cần tuân thủ quy định về Hàng hóa Nguy hiểm. Việc chuẩn bị vận chuyển và vận chuyển cần được thực hiện bởi những người được đào tạo phù hợp và quy trình này phải được giám sát bởi các chuyên gia trong ngành.

Khi vận chuyển pin:

- Đảm bảo các đầu tiếp xúc của pin được bảo vệ và cách điện để ngăn ngắn mạch.
- Đảm bảo pin được cố định để không di chuyển trong bao bì.
- Không vận chuyển các pin bị nứt hoặc rò rỉ.
- Kiểm tra với công ty chuyển tiếp để được tư vấn thêm.

LÀM SẠCH

Các khe thông gió của sản phẩm lúc nào cũng phải sạch sẽ.

BẢO TRÌ

Kiểm tra sản phẩm và thay thế các bộ phận bị mòn hoặc hư hỏng để đảm bảo an toàn.

Chỉ sử dụng các phụ kiện và phụ tùng thay thế của MILWAUKEE. Không được thay thế các thành phần theo những cách không được mô tả ở đây, vui lòng liên hệ một trong những đại lý dịch vụ MILWAUKEE của chúng tôi (xem danh sách địa chỉ bảo hành/dịch vụ của chúng tôi).

Nếu cần, có thể yêu cầu xem hình vẽ mô tả chi tiết các bộ phận. Vui lòng nêu rõ số sê-ri cũng như loại sản phẩm được in trên nhãn và yêu cầu bản vẽ tài các trung tâm dịch vụ địa phương của bạn.

BIỂU TƯỢNG



Vui lòng đọc cẩn thận hướng dẫn trước khi sử dụng máy.



CHÚ Ý! CẢNH BÁO! NGUY HIỂM!



Tháo pin trước khi bắt đầu thao tác với sản phẩm.



Luôn đeo kính bảo vệ khi sử dụng sản phẩm.



Đeo thiết bị bảo vệ tai.



Sử dụng khẩu trang chống bụi phù hợp.



Đeo găng tay.



Không bao giờ cho sản phẩm ra ngoài trời mưa.



Không để tay tránh xa cửa hút gió có thể gây thương tích cho người.



Không để tóc dài tránh xa cửa hút gió có thể gây thương tích cho người.



Không mặc quần áo rộng hoặc đeo đồ trang sức có thể bị hút vào cửa hút gió.



Tránh xa những người xung quanh.



Đảm bảo rằng không ai có nguy cơ bị vật liệu bị phóng ra ngoài hoặc rơi xuống văng vào.



Mức công suất âm thanh được đảm bảo ghi trên nhãn này là 83 dB.

n_0

Tốc độ không tải

V

Điện áp



Dòng điện một chiều



Không vứt bỏ pin thải, thiết bị điện và điện tử thải cùng với rác thải đô thị chưa được phân loại. Pin thải và thiết bị điện và điện tử thải phải được thu gom riêng.

Phải loại bỏ pin thải, bộ tích điện thải và nguồn sáng khỏi thiết bị.

Xác nhận với chính quyền địa phương hoặc nhà bán lẻ để được tham vấn về việc tái chế và điểm thu gom.

Theo quy định của địa phương, các nhà bán lẻ có thể có nghĩa vụ nhận lại pin thải và thiết bị điện và điện tử thải miễn phí. Sự đóng góp của bạn trong việc tái sử dụng và tái chế pin thải và thiết bị điện và điện tử thải sẽ giúp giảm nhu cầu về nguyên liệu thô.

Đặc biệt, pin thải có chứa lithium và Thiết bị điện và điện tử thải chứa các vật liệu có giá trị, có thể tái chế, có thể tác động xấu đến môi trường và sức khỏe con người, nếu không được xử lý theo cách phù hợp với môi trường. Xóa dữ liệu cá nhân khỏi thiết bị thải, nếu có.

タイプ	コードレスデュアルバッテリーブロー
バッテリー電圧	2 x 18 V \equiv
定格入力電流	25 A
回転数	0~16750/分
風速	0~233 km/h
エア流量	0~17 m ³ / min
本体重量 (2 x 2.0Ah~12.0Ahバッテリー装着時) (EPTA 01/2014準拠)	3.63 ~ 5.90 kg
推奨周囲動作温度	-18 ~ +50 °C
推奨バッテリータイプ	M18B...; M18HB...
推奨充電器	M12-18...; M18 DFC
騒音情報	

EN 50636-2-100 Annex CCに基づく騒音放射値

A特性・音圧レベル	82.0 dB (A)
不明 K	3.0 dB (A)
A特性音響パワーレベル	90.8 dB (A)
不明 K	3.0 dB(A)

必ずイヤープロテクターを使用してください。

振動情報

EN 50636-2-100 Annex BBに基づく総振動値 (3軸のベクトル和)

振動放出値 a _h	0.31 m/s ²
不明 K	1.5 m/s ²

A 警告!

本取扱説明書に記載されている宣言振動値および騒音放射値は、EN 50636-2-100 Annex BBに記載の標準検査に従って測定されたものであり、本製品と別の製品を比較するために使用することができます。暴露の予備評価にも使用できます。

公表された振動・騒音値は、工具の主な用途を表しています。ただし、工具が異なる用途に使用され、付属品が異なっている、メンテナンスが不十分であるなどの場合は、振動/騒音放射が異なる場合があります。これらの条件により、総作業期間にわたる暴露レベルが大幅に増加する可能性があります。

暴露する振動・騒音値の概算を出す場合、工具のスイッチがオフになっている時間、または工具がアイドリング中である時間も考慮する必要があります。これらの条件により、総作業期間にわたる暴露レベルが大幅に減少する可能性があります。

振動/騒音の影響からオペレーターを保護するために、次のような追加安全対策を確認してください：工具と付属品のメンテナンスを行う、手を温かく保つ、作業パターンを整理する。

A 警告! 本電動工具に同梱されているすべての安全警告、指示、図、仕様をお読みください。下記のすべての指示に従わない場合、感電や火災が発生したり、重傷を負う可能性があります。

今後の参考のために、すべての警告と指示を保存します。

コードレスブローに関する安全警告

トレーニング

説明書をよくお読みください。本製品の制御と適切な使用方法について理解してください。

作業や使用者は、他者や建物などに起こる事故や危険に対する責任があることを常に頭に入れてください。

準備

聴覚保護具および保護メガネを用意してください。製品を操作するときは、常にこれらを着用してください。

本製品の操作時は必ず安全靴および長ズボンを着用してください。本製品は、裸足や先の開いたサンダルを着用して操作しないでください。だばだばした衣類や、ぶら下がったひものある衣類、ネクタイなどは着用しないでください。

風入口に吸い込まれるおそれのあるだばだばした衣類や宝飾品は着用しないでください。風入口に長い髪を近づけないでください。

本製品は推奨された位置で、しっかりとした平らな面の上のみで操作してください。

飛散物によりけがを負うおそれがあるため、本製品を舗装路や砂利面で操作しないでください。

操作

近くの人に (特にお子様) やペットがいる時は、本製品を絶対に使用しないでください。

本製品を操作するときは、吐出範囲に立たないでください。

本製品が詰まった場合は、破片を取り除く前にバッテリーパックを取り外してください。

ガードやシールドに異常がある状態で、または破片収集部などの安全機器が正しく取り付けられていない状態で、本製品を絶対に操作しないでください。

本製品の電源をオフにして、本製品からバッテリーパックを取り外します。すべての可動部品が完全に停止していることを確認してください。

- 本製品から離れる場合

・シュートの詰まりを取り除く前

・本製品の点検、清掃、または作業の前
本製品を吸引用を使用しないでください。

高温、可燃性、爆発性の材料を吹き飛ばさないでください。

本製品を日光や十分な照明の下で使用してください。

斜面では必ずしっかりと立ってください。

周囲の人の方向に向かって絶対に吹き飛ばさないでください。本製品はチューブを正しく取り付けずに使用しないでください。

操作は歩いて行い、絶対に走らないでください。

すべての冷却風入口からごみを取り除いてください。

本製品により飛散した物により周囲の人がけがをしないよう注意を払ってください。

本製品を液体の吸引用を使用しないでください。

手を伸ばしすぎず、つねにバランスを維持してください。

雨天時は、本製品を雨の中で使用したり屋外に放置したりしないでください。

本製品が落下した、強い衝撃が加わった、異常に振動するようになった場合は、本製品の使用をただちに中止し、破損がないか点検するか、または振動の原因を調べてください。破損した製品は、認定を受けたサービスセンターで適切に修理または交換する必要があります。

メンテナンスと保管

保守、点検、保管を行うため本製品を停止したとき、または付属品を交換するときは、バッテリーパックを取り外し、すべての可動部品が完全に停止したことを確認してください。点検や調節を行う前に、本製品を冷却してください。本製品はしっかりと保守を行い、清潔に保ってください。

本製品は乾いた場所およびお子様の手の届かない場所に保管してください。保管する前に、本製品を冷却してください。

本製品を改造しないでください。許可なく改造した場合、本製品の安全性が損なわれ、騒音や振動が増大する場合があります。

本製品が安全な動作状態になるよう、すべてのナット、ボルト、ねじは締め付けられた状態を維持してください。

本製品を点検し、摩耗や破損している部品は安全のため交換してください。

摩耗や破損している部品は安全のため交換してください。純正の交換部品および付属品のみを使用してください。

ガードの固定を絶対に解除しないでください。

その他の安全上の注意事項

子ども、運動機能・感覚機能・知力が低下している人、経験と知識が不足している人、またはこれらの指示に慣れていない人には、絶対に製品の使用を許可しないでください。現地の規制でオペレーターの年齢が制限される場合があります。

お子様が本製品で遊ばないように監視する必要があります。

作業前の調整時や保守・点検時は、本体からバッテリーを取り外してください。

別のシステムのバッテリーと混ぜて使用しないでください。

特定の使用条件

本製品は土や葉を吹き飛ばすためのものです。

本製品を他の用途では使用しないでください。

残余リスク

製品が規定どおりに使用された場合でも、特定の残存する危険因子を完全に排除することは不可能です。使用中に以下の危険が発生することがあり、作業者は以下を回避するために特に注意する必要があります。

● 振動による怪我

- 所定のハンドルを持って本製品を保持し、作業時間や暴露を制限します。

● 騒音により生じる聴覚の異常

- 暴露を制限し、適切な聴覚保護具を着用してください。

● 飛散した破片によるけが

- 適切な個人用保護具、高強度の長ズボン、グローブ、安全靴、保護メガネをつねに着用してください。

バッテリー

しばらく使用していなかったバッテリーパックは使用前に再度充電を行ってください。

50°Cを超える温度下ではバッテリーパックの性能が低下します。直射日光や高熱に長時間さらさないようにしてください（オーバーヒートの危険性があります）。

充電器とバッテリーパックの接触部はつねに清潔な状態にしてください。

最適な寿命を保つため、使用後はバッテリーパックを完全に充電してから保管してください。

バッテリー寿命を最大に保つためにバッテリーをフル充電してから充電器から取り外してください。

バッテリーパックを30日以上保管する場合:

・温度27度未満で湿気がない場所に保管する。

・30~50%の充電状態で保管する。

・6ヶ月に1回、通常通りに充電する。

使用済みのバッテリーパックは家庭ゴミと一緒に廃棄したり、燃やさないでください。ミルウォーキー（MILWAUKEE）販売店では、環境保護のために古いバッテリーを回収いたします。

金属片などと一緒にバッテリーパックを保管しないでください。シヨートの危険性があります。

M18システム・バッテリーの充電には、M18システムの充電器しか使用できません。別のシステムのバッテリーと混ぜて使用しないでください。

バッテリーと充電器は絶対に分解しないでください。バッテリーと充電器は湿度の低い屋内で保管してください。

充電器の金属端子部に金属片などを接触させないでください。シヨートの危険があります。

極端な負荷や温度によってバッテリーが損傷し、液漏れが発生する場合があります。漏れ出た液と接触した場合は、直ちに石鹸と水で洗い流してください。目に入った場合は、少なくとも10分間流水ですすいだし、直ちに医師の診察を受けてください。

バッテリーに関する詳細な安全警告

⚠ 警告！ 漏電による火災、人的損傷、製品破損のリスクを軽減するために、製品、バッテリーパック、充電器を液体に浸したり、液体を流入させたりすることは絶対にしないでください。海水、特定の工業用化学物質、漂白剤または漂白剤を含む製品などの腐食または伝導性誘導体は、漏電の原因となることがあります。

バッテリーパックの保護

極めて高いトルク、ピンディング、停動、および高電流を引き起こす短絡状態では、本工具は約5秒間振動して残量表示が点滅してからオフになります。リセットするには、トリガーを解除してください。

過酷な環境下では、バッテリーパック内の温度が過剰に上昇する場合があります。この現象が起きると、バッテリーパックが冷たくなるまで燃料計が点滅します。ライトが消えた後も作業を続けてください。

リチウムバッテリーの輸送

リチウムイオンバッテリーは、危険物規制の要件の対象となります。

このバッテリーの輸送は、地域、国、および国際的な規定および規制に従って行わなければなりません。

- バッテリーの地上輸送には、それ以上の要件はありません。
- 第三者によるリチウムイオンバッテリーの商業輸送には、危険物規制が適用されます。輸送の準備と輸送は、適切な訓練を受けた人員のみが実施し、その作業には対応する専門家の同行が必要です。

バッテリーを輸送する場合：

- バッテリーの接触端子は、漏電を防ぐために保護と絶縁の処理がされていることを確認してください。
- バッテリーパックがパッケージ内で動かないように固定されていることを確認してください。
- ひびが入ったり液漏れが発生しているバッテリーは輸送しないでください。
- 詳細については、運送会社に確認してください。

お手入れ

充電の際、充電器の排気口を塞がないでください。

メンテナンス

本製品を点検し、摩耗や破損している部品は安全のため交換してください。

ミルウォーキー（MILWAUKEE）の純正アクセサリとサービスパーツをご使用ください。記載されていない部品を交換する必要がある場合は、MILWAUKEEサービスセンターにお問い合わせください（保証リストまたはサービス所在地リストを参照してください）。

必要に応じて、製品の分解立体図をご注文いただけます。製品タイプとシリアル番号をラベルにご記入のうえ、お近くのサービスセンターで分解立体図をご注文ください。

記号



製品の使用を開始する前に、指示を注意深くお読みください。



注意！警告！危険！



作業前の調整時や保守・点検時は、本体からバッテリーを取り外してください。



製品を使用する際は、必ずゴーグルを着用してください。



耳栓を使用してください。



人体に悪影響を及ぼす物質の近くで製品を使用しないでください。



加工作業時は、保護手袋を着用してください。



絶対に本製品を雨にさらさないでください。



手を風入口に近づけると、怪我をする可能性があります。



長い髪を風入口に近づけると、怪我をする可能性があります。



風入口に吸い込まれるおそれのあるだぼした衣類や宝飾品は着用しないでください。



周囲の人を近づけないでください。



材料が人に向かって飛散したり落下したりする危険がないことを確認してください。



本ラベルに表示されている保証音響出力レベルは、83dB(A)です。

n_0

回転数

V

電圧



直流



自治体の廃棄物に分類されない廃棄電池、電気機器、電子機器は廃棄しないでください。廃棄電池、電気機器、電子機器は、分別して収集する必要があります。廃棄電池、蓄電部、光源は、機器から取り外す必要があります。リサイクルに関しましては、お住いの自治体または販売店までご相談ください。自治体の規定によっては、小売業者は廃棄電池や電気機器、電子機器を無償で持ち帰る義務を有する場合があります。廃棄電池、電気機器、電子機器を再利用・リサイクルすることで、材料の必要性を減らすことができます。廃棄電池（特にリチウムを含む電池）や電気機器、電子機器には、貴重でリサイクル可能な材料が含まれており、環境に配慮した方法で廃棄しない場合、環境や人体の健康に害を及ぼすおそれがあります。廃棄機器に個人情報が入っている場合は、削除してください。

