



M12 RC

SERVICE PARTS DIAGRAM

TTI Model Number: 016 128 006

M12™ RADIO CHARGER

Bulletin Date:

Dec-20

Starting Serial Number:

VERSION A -

00
0

EXAMPLE:

Component Parts (Small #)
Are Included When Ordering
The Assembly (Large #).

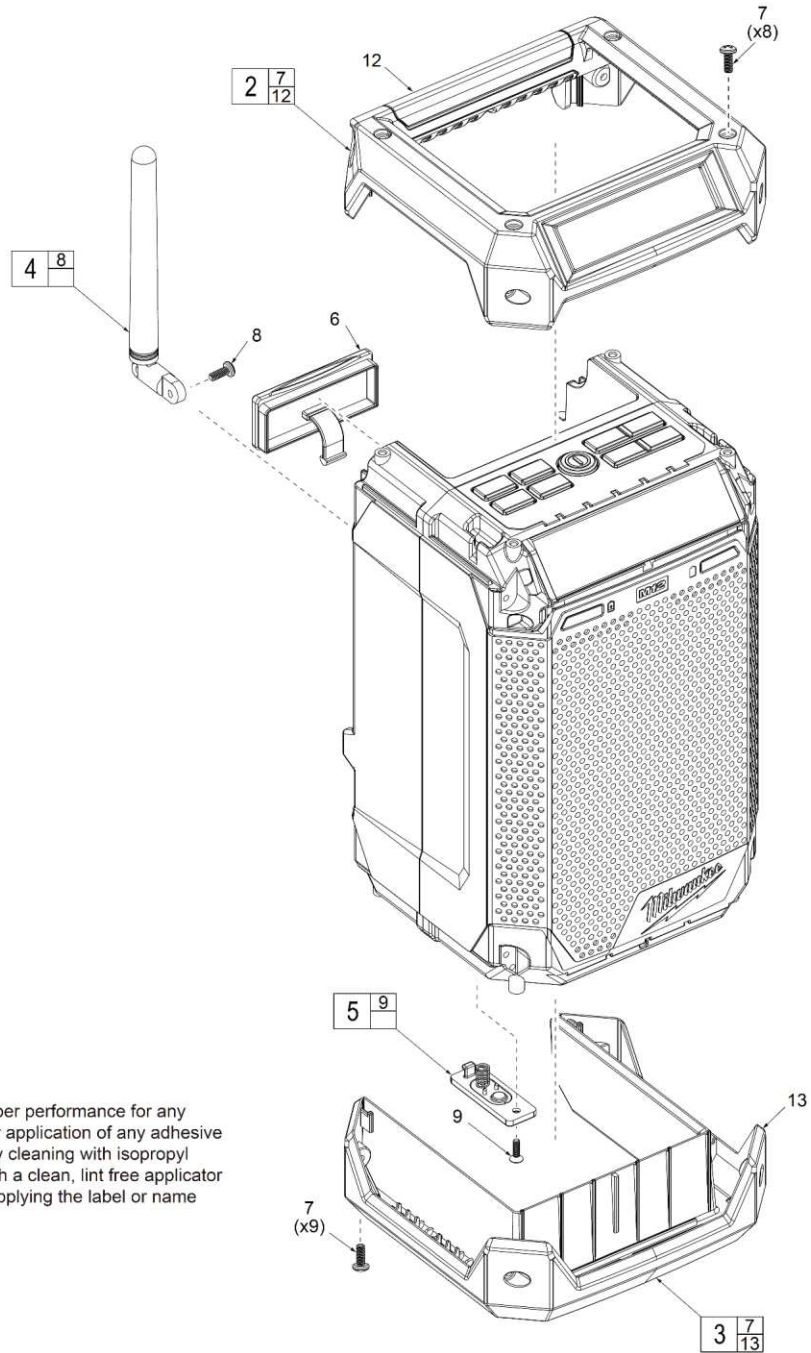


FIG. 11 NOTES

A clean, dry surface is essential for proper performance for any adhesive system. The area intended for application of any adhesive label or nameplate must be prepared by cleaning with isopropyl alcohol. The solvent is to be applied with a clean, lint free applicator and the surface allowed to dry before applying the label or name plate.



M12 RC

SERVICE PARTS LIST

TTI Model Number: 016 128 006

M12™ RADIO CHARGER

Bulletin Date:

Dec-20

Starting Serial Number:

VERSION A -

ITEM	PART NUMBER	PART DESCRIPTION	QTY (PCS)
2	016128001001	TOP HOUSING KIT	1
3	016128001002	BOTTOM HOUSING KIT	1
4	016128001003	ANTENNA KIT	1
5	016128001004	BACKUP BATTERY DOOR KIT	1
6	016128001005	DOOR COVER	1
7	-	3 X 10 PAN HD. T-10 SCREW	17
8	-	2.6 X 6 FLAT HD. PHILLIPS SCREW	1
9	-	3 X 10 PAN HD PHILLIPS SCREW	1
11	01612800601K	RATING LABEL (NOT SHOWN)	1
12	-	TOP HOUSING	1
13	-	BOTTOM HOUSING	1