



M12 FVCL

SERVICE PARTS DIAGRAM

TTI Model Number: 016 134 009

M12™ FUEL WET/DRY VACUUM

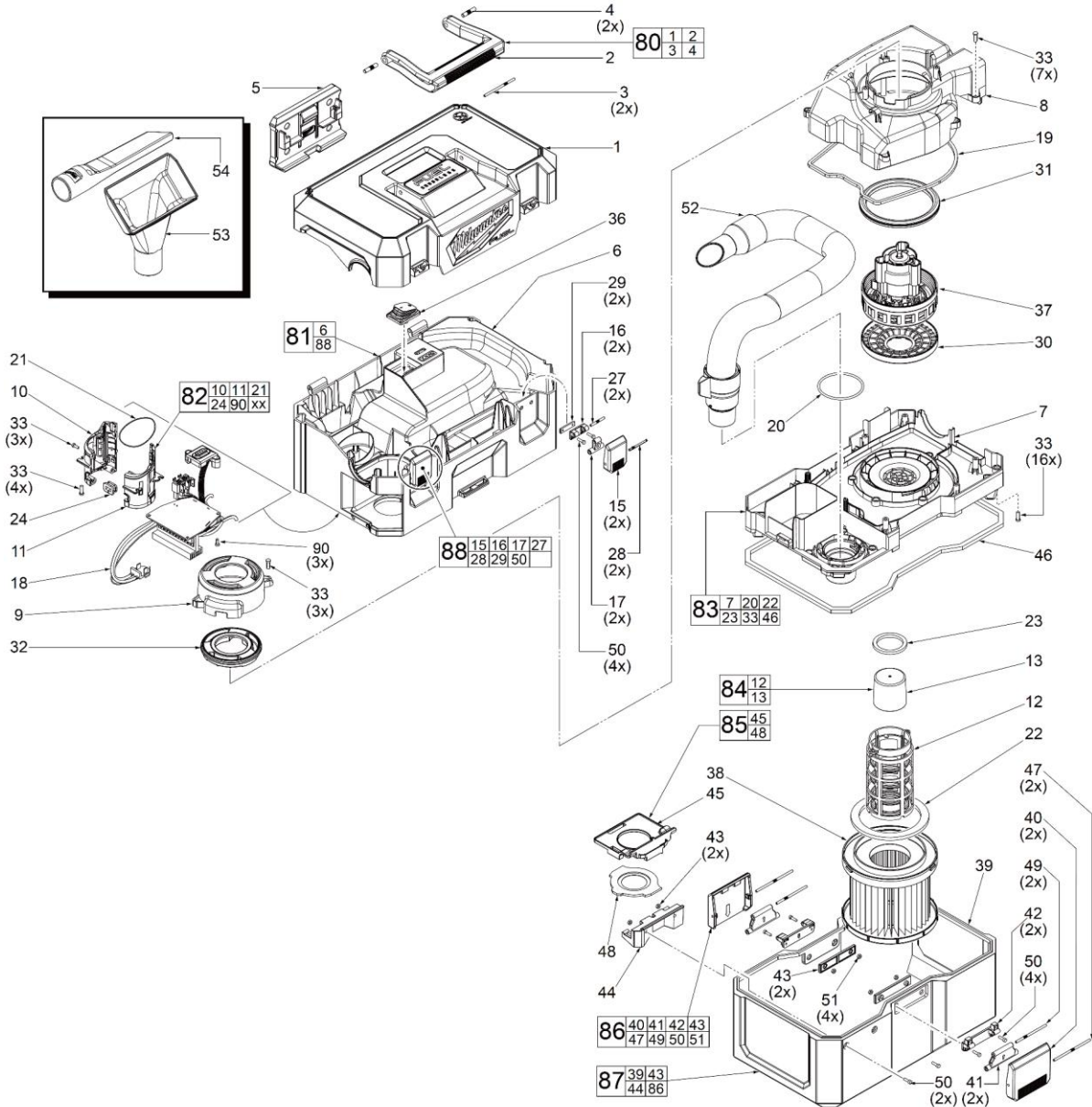
Bulletin Date:

Apr-21

Starting Serial Number:

VERSION A -

EXAMPLE:
Component Parts (Small #) Are Included
When Ordering The Assembly (Large #).





M12 FVCL

SERVICE PARTS LIST

TTI Model Number: 016 134 009

M12™ FUEL WET/DRY VACUUM

Bulletin Date:

Apr-21

Starting Serial Number:

VERSION A -

ITEM	PART NUMBER	PART DESCRIPTION	QTY (PCS)
1	-	TOP COVER	1
2	016134001010	CARRYING HANDLE	1
3	016134001011	COVER PIN	2
4	016134001012	HANDLE PIN	2
5	016134001013	HANGING BRACKET	1
6	016134001014	MIDDLE FRAME	1
7	016134001015	FRAME PLATE	1
8	016134001016	MOTOR HOUSING	1
9	016134001017	MOTOR HOUSING COVER	1
10	-	BATTERY TERMINAL HOUSING-LEFT	1
11	-	BATTERY TERMINAL HOUSING-RIGHT	1
12	016134001046	FLOAT BALL FRAME	1
13	016134001047	FLOAT BALL	1
15	-	MIDDLE FRAME LATCH	2
16	-	UPPER LOCK PLATE	2
17	-	UPPER LOCK	2
18	016134001049	ELECTRONICS ASSEMBLY (NEW)	1
18	016134001018	ELECTRONICS ASSEMBLY (OLD)	1
19	016134001019	MOTOR HOUSING SEAL	1
20	016134001020	MAIN INLET SEAL	1
21	016134001021	BATTERY TERMINAL HOUSING SEAL	1
22	016134001022	HEPA FILTER SEAL	1
23	016134001023	FLOAT BALL FRAME SEAL	1
24	016134001024	WIRING GROMMET SEAL	1
27	-	SHORT PIN-UPPER LOCK	2
28	-	LONG PIN-UPPER LOCK	2
29	-	UPPER LOCK PLATE SUPPORT	2
30	016134001025	MOTOR HOUSING LOWER SEAL	1
31	016134001026	MOTOR MIDDLE SEAL	1
32	016134001027	MOTOR UPPER SEAL	1
33	016134001028	ST SCREW M4X12MM PAN HEAD	33
36	016134001029	ON/OFF SWITCH	1
37	016134001030	MOTOR	1
38	-	HEPA FILTER	1
39	-	TANK	1
40	-	TANK LATCH	2
41	-	LOWER LOCK	2



M12 FVCL

SERVICE PARTS LIST

TTI Model Number: 016 134 009

M12™ FUEL WET/DRY VACUUM

Bulletin Date:

Apr-21

Starting Serial Number:

VERSION A -

ITEM	PART NUMBER	PART DESCRIPTION	QTY (PCS)
42	-	LOWER LOCK PLATE	2
43	-	LOWER LOCK PLATE SUPPORT	2
44	-	DUST BAG BRACKET	1
45	-	DUST BAG FRAME	1
46	016134001031	TANK SEAL	1
47	-	LONG PIN-LOWER LOCK	2
48	-	CARD BOARD	1
49	-	SHORT PIN-LOWER LOCK	2
50	016134001033	M3 X 8MM SCREW	8
51	016134001032	M3 X 10MM SCREW	6
52	016134001034	HOSE ASSEMBLY	1
53	016071001010	SMALL NOZZLE	1
54	016071001009	CREVICE TOOL	1
80	016134001037	TOP COVER SERVICE KIT	1
81	016134001038	MIDDLE FRAME SERVICE KIT	1
82	016134001039	TERMINAL HOUSING SERVICE KIT	1
83	016134001040	FRAME PLATE SERVICE KIT	1
84	016134001041	FLOAT BALL/FRAME SERVICE KIT	1
85	016134001042	DUST BAG FRAME SERVICE KIT	1
86	016134001043	TANK LATCH SERVICE KIT	2
87	016134001044	TANK SERVICE KIT	1
88	016134001045	MIDDLE FRAME LATCH SERVICE KIT	2
90	016134001048	SCREW ST3*10	3
91	01613400901K	RATING LABEL (NOT SHOWN)	1