



M12 FHS

SERVICE PARTS DIAGRAM

TTI Model Number: 018 488 007, 009

M12 FUEL™ HATCHET PRUNING SAW

Bulletin Date:

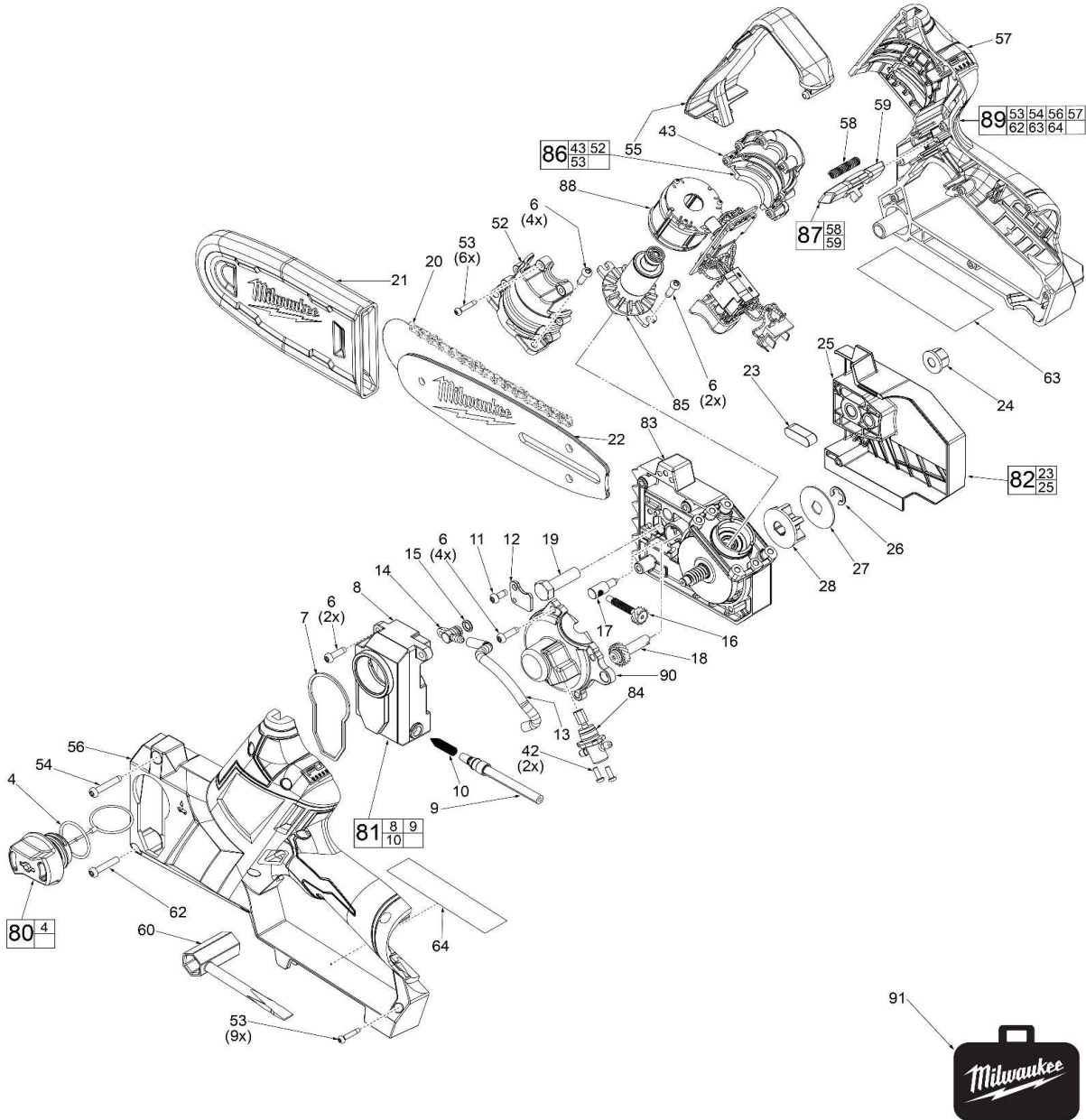
Apr-21

Starting Serial Number:

VERSION A - M2020

00	0
----	---

EXAMPLE:
Component Parts (Small #) Are Included
When Ordering The Assembly (Large #).





M12 FHS

SERVICE PARTS LIST

TTI Model Number: 018 488 007, 009

M12 FUEL™ HATCHET PRUNING SAW

Bulletin Date:

Apr-21

Starting Serial Number:

VERSION A - M2020

ITEM	PART NUMBER	PART DESCRIPTION	QTY (PCS)
4	560110001	O-RING	1
6	661420001	TAPTITE SCREW M4X0.7 PH TORX T20 S	12
7	565525001	GASKET	1
8	316232001	OIL TANK	1
9	565404001	INLET TUBE	1
10	698720001	CONE SPRING	1
11	660165015	TAPTITE SCREW M4X0.7 PH TORX T20 S	1
12	658919001	PLATE FOR BOLT	1
13	565403001	OUTLET TUBE	1
14	536122001	CONNECTOR	1
15	560324004	O-RING	1
16	622088003	CHAIN TENSIONER MAIN SCREW	1
17	673632001	CHAIN TENSIONING POST	1
18	622089001	CHAIN TENSIONER ADJUSTMENT SCREW	1
19	661689002	M8 X 28MM HEX HD. MACHINE SCREW	1
20	682404001	6" CHAIN	1
21	580763001	SCABBARD	1
22	315605001	6" GUIDE BAR	1
23	565470001	SEALING PAD	1
24	662685001	M8 FLANGE NUT	1
25	360684001	CHAIN COVER	1
26	672166001	E-RING	1
27	637867001	CHAIN WASHER	1
28	613760002	SPROCKET	1
42	660380010	M3 X 8.5MM PAN HD. T-10 MACH. SCREW	2
43	-	MOTOR INSULATOR SUPPORT - RIGHT	1
52	-	MOTOR INSULATOR COVER - LEFT	1
53	662456001	M3 X 16MM PAN HD. ST T-10 SCREW	15
54	661417001	M4 X 24MM PAN HD. TAPTITE T-20 SCREW	1
55	539228001	KNUCKLE GUARD	1
56	-	HANDLE COVER	1
57	-	HANDLE SUPPORT	1
58	698214001	SPRING	1
59	539063001	LOCK-OFF BUTTON	1
60	695961001	WRENCH	1
62	661395001	M4 X 19MM PAN HD. TAPTITE T-20 SCREW	1



M12 FHS

SERVICE PARTS LIST

TTI Model Number: 018 488 007, 009

M12 FUEL™ HATCHET PRUNING SAW

Bulletin Date:

Apr-21

Starting Serial Number:

VERSION A - M2020

ITEM	PART NUMBER	PART DESCRIPTION	QTY (PCS)
63	941123157	SERVICE NAMEPLATE	1
64	941300205	WARNING LABEL	1
80	204051002	OIL CAP ASSEMBLY	1
81	204052003	OIL TANK ASSEMBLY	1
82	204473003	CHAIN COVER KIT	1
83	208631001	GEARCASE ASSEMBLY	1
84	204055003	OIL PUMP ASSEMBLY	1
85	208633001	ROTOR ASSEMBLY	1
86	204056003	MOTOR INSULATOR KIT	1
87	204059002	LOCK-OFF BUTTON KIT	1
88	208634002	ELECTRONICS ASSEMBLY	1
89	204058006	HANDLE KIT	1
90	204054005	GEARCASE COVER ASSEMBLY	1
91	307640124	DYNACASE	1



M12 FHS

SERVICE INSTRUCTION

TTI Model Number: 018 488 007, 009

M12 FUEL™ HATCHET PRUNING SAW

Bulletin Date:

Apr-21

Starting Serial Number:

VERSION A - M2020

As an aid to reassembly, take notice of wire routings and position in wire guides and traps while dismantling tool.

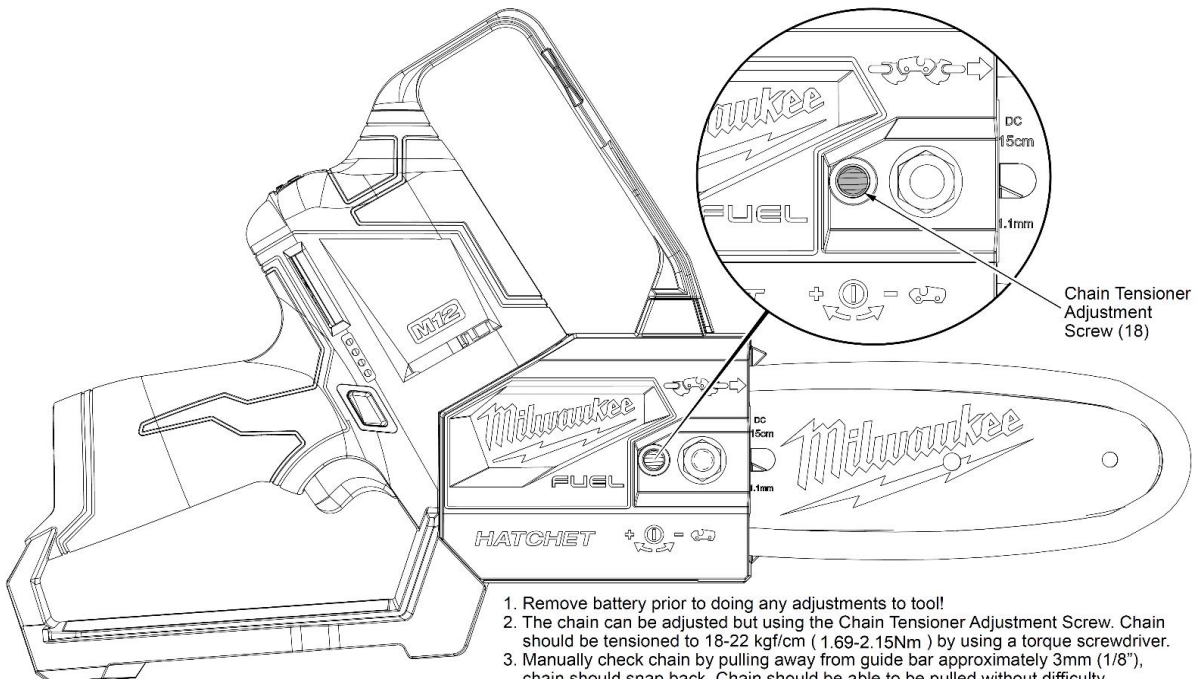
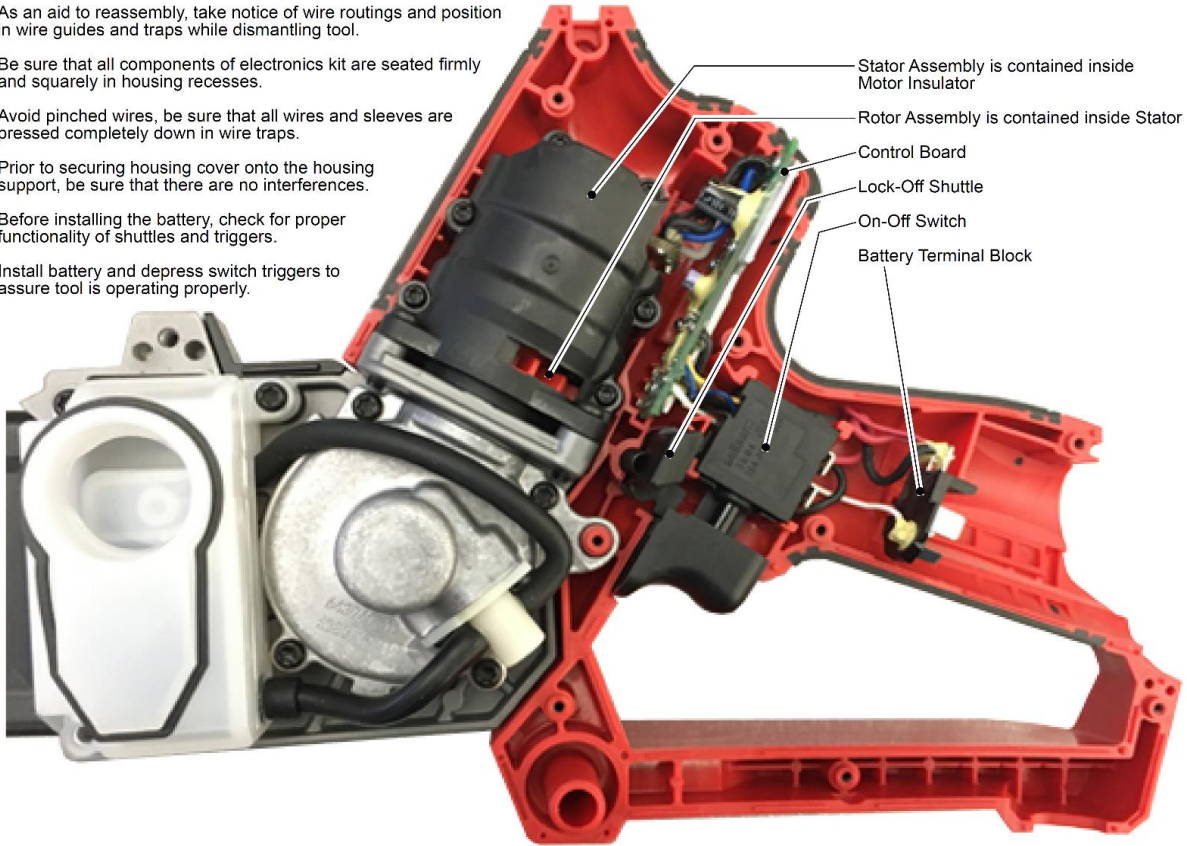
Be sure that all components of electronics kit are seated firmly and squarely in housing recesses.

Avoid pinched wires, be sure that all wires and sleeves are pressed completely down in wire traps.

Prior to securing housing cover onto the housing support, be sure that there are no interferences.

Before installing the battery, check for proper functionality of shuttles and triggers.

Install battery and depress switch triggers to assure tool is operating properly.



1. Remove battery prior to doing any adjustments to tool!
2. The chain can be adjusted but using the Chain Tensioner Adjustment Screw. Chain should be tensioned to 18-22 kgf/cm (1.69-2.15Nm) by using a torque screwdriver.
3. Manually check chain by pulling away from guide bar approximately 3mm (1/8"), chain should snap back. Chain should be able to be pulled without difficulty.