



M12 FHIR14

SERVICE PARTS DIAGRAM

TTI Model Number: 018 526 006, 007, 008

M12 FUEL™ 1/4" HIGH SPEED RATCHET

Bulletin Date:

Mar-21

Starting Serial Number:

VERSION A -

EXAMPLE:
Component Parts (Small #) Are Included
When Ordering The Assembly (Large #).

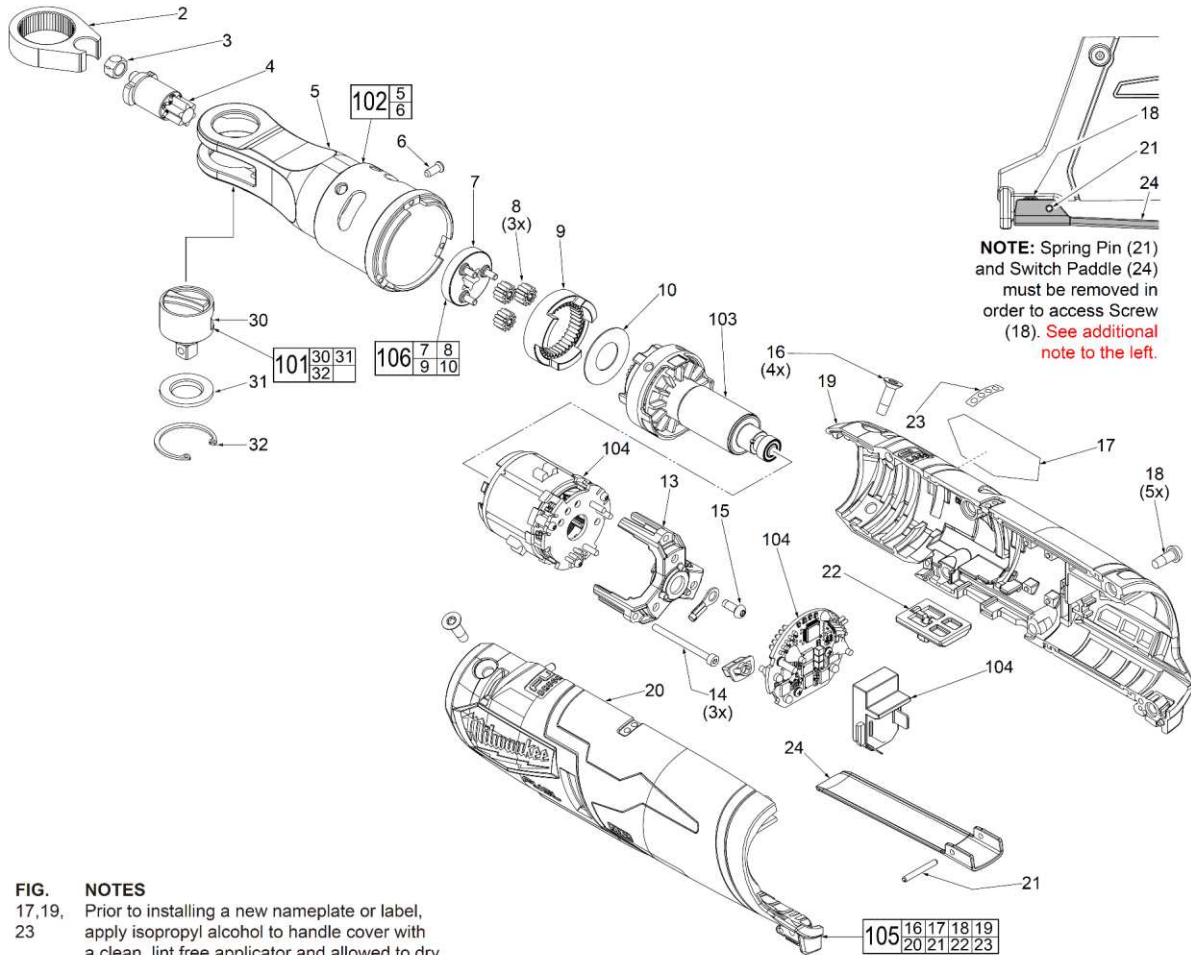


FIG. NOTES
17, 19, 23 Prior to installing a new nameplate or label, apply isopropyl alcohol to handle cover with a clean, lint free applicator and allowed to dry.

21 Use a thin blunt punch with the same OD or a similar tool like a finishing nail with same OD and pointed tip ground down to remove spring pin from the handle halves and switch paddle. **As an aid, be sure to prop up that corner end of ratchet to support tapping out of the spring pin.** When reinstalling pin, align holes and carefully press or tap the pin in place.





M12 FHIR14

SERVICE PARTS LIST

TTI Model Number: 018 526 006, 007, 008

M12 FUEL™ 1/4" HIGH SPEED RATCHET

Bulletin Date:

Mar-21

Starting Serial Number:

VERSION A -

ITEM	PART NUMBER	PART DESCRIPTION	QTY (PCS)
2	698670001	YOKE	1
3	698769001	BUSHING	1
4	622072003	CRANKSHAFT	1
5	-	YOKE HOUSING WITH BEARING	1
6	673021003	DRIVE PIN	1
7	-	CARRIER	1
8	-	PLANET GEAR	3
9	-	RING GEAR	1
10	-	WASHER	1
13	644096001	MOTOR PLATE	1
14	662573001	M2.5 X 31MM SKT. HD. HEX DRIVE SCREW	3
15	661031003	M3 X 8MM PAN HD. TAPTITE T-10 SCREW	1
16	660213029	M4 X 14MM FLAT HD. ST T-20 SCREW	4
17	941123312	RATING LABEL 018526006, 008 ASIA VERSION	1
17	941123323	RATING LABEL 018526007 ONLY JP VERSION	1
18	660436004	M4 X 10MM PAN HD. ST T-20 SCREW	5
19	-	HANDLE COVER	1
20	-	HANDLE SUPPORT	1
21	673021004	SPRING PIN	1
22	541158001	SWITCH LOCK-OUT	1
23	941300217	FUEL GAUGE LABEL	1
24	633822001	SWITCH PADDLE	1
30	-	1/4" ANVIL W/ STANDARD SHIFT KNOB	
31	696037001	FRICTION PLATE	1
32	637985001	C-RING	1
101	204564004	1/4" ANVIL SERVICE KIT STANDARD	1
102	208670001	YOKE HOUSING SERVICE KIT	1
103	208668001	ROTOR SERVICE ASSEMBLY 018526006, 008 ASIA VERSION	1
103	208668002	ROTOR SERVICE ASSEMBLY 018526007 ONLY JP VERSION	1
104	208669001	ELECTRONICS SERVICE ASSEMBLY	1
105	204525024	HOUSING SERVICE KIT 018526006, 008 ASIA VERSION	1
105	204525026	HOUSING SERVICE KIT 018526007 ONLY JP VERSION	1
106	208675001	GEAR SET SERVICE KIT	1
121	903210033	CONTRACTOR BAG	1
1200	-	GREASE	1
1201	-	GREASE	1



M12 FHIR14

SERVICE INSTRUCTION

TTI Model Number: 018 526 006, 007, 008

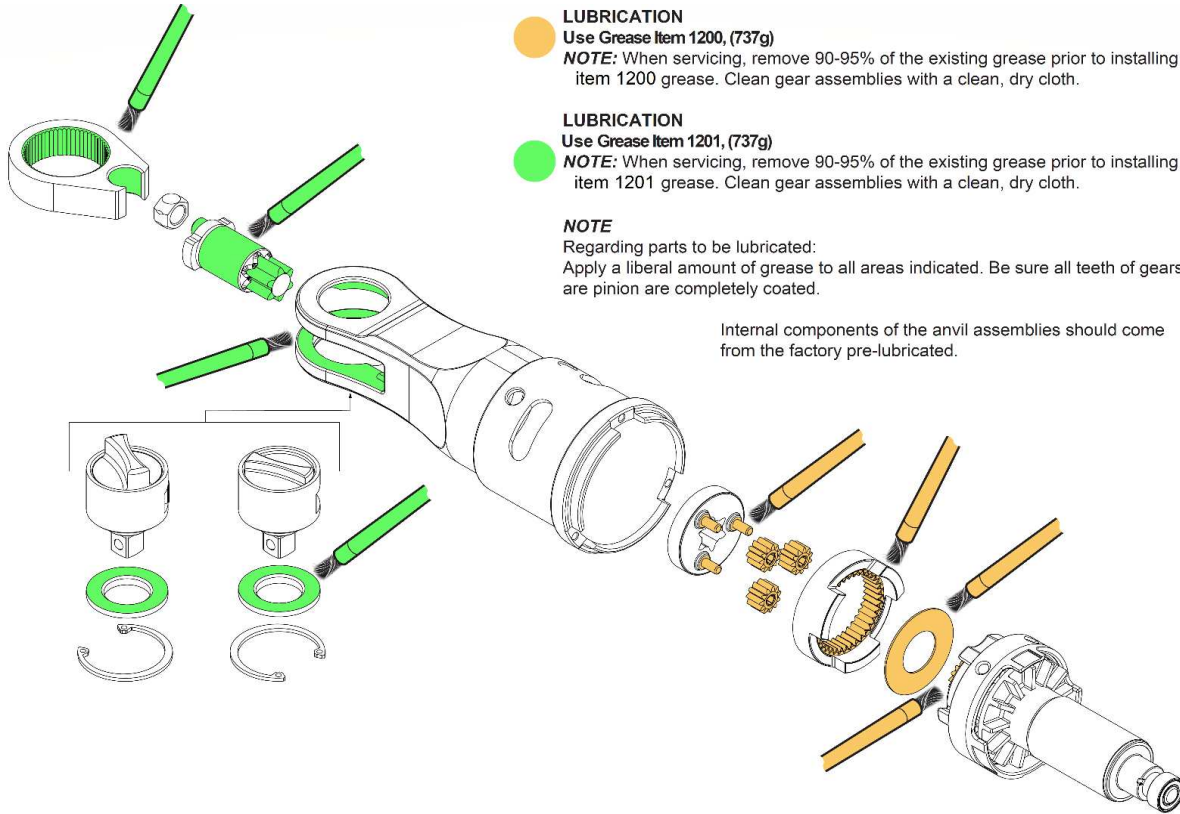
M12 FUEL™ 1/4" HIGH SPEED RATCHET

Bulletin Date:

Mar-21

Starting Serial Number:

VERSION A -



LUBRICATION

Use Grease Item 1200, (737g)

NOTE: When servicing, remove 90-95% of the existing grease prior to installing item 1200 grease. Clean gear assemblies with a clean, dry cloth.

LUBRICATION

Use Grease Item 1201, (737g)

NOTE: When servicing, remove 90-95% of the existing grease prior to installing item 1201 grease. Clean gear assemblies with a clean, dry cloth.

NOTE

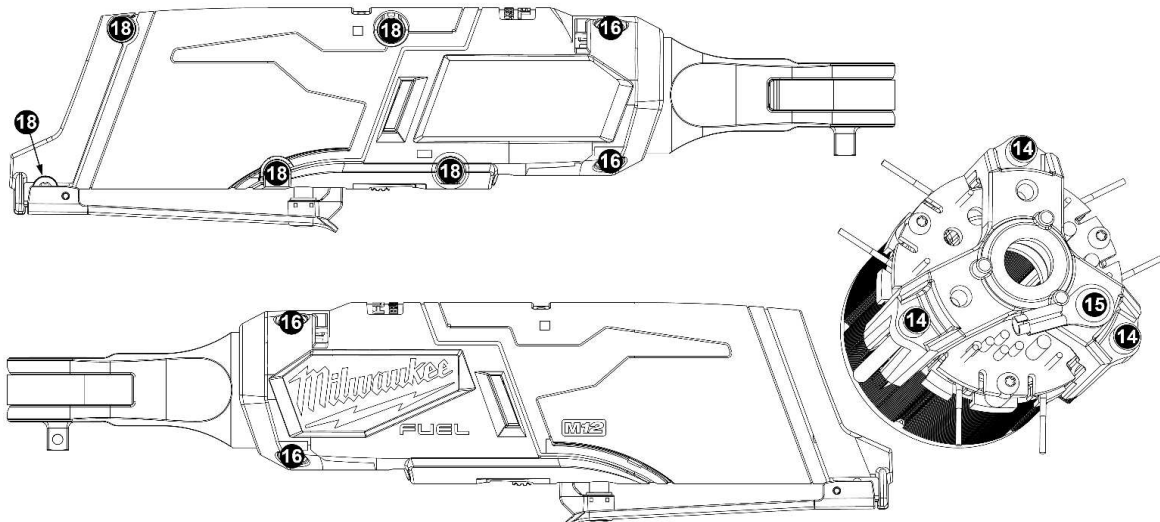
Regarding parts to be lubricated:

Apply a liberal amount of grease to all areas indicated. Be sure all teeth of gears are pinion are completely coated.

Internal components of the anvil assemblies should come from the factory pre-lubricated.

SCREW TORQUE SPECIFICATIONS

FIG.	PART NO.	WHERE USED	SEAT TORQUE	
			(KG/CM)	(Nm)
14	662573001	Motor Plate	5-7	0.5-0.7
15	661031003	HV Terminal/Motor Plate	12-14	1.1-1.4
16	660213029	Housing Cover	14-16	1.4-1.6
18	660436004	Housing Cover/Support	10-12	0.9-1.1





M12 FHIR14

SERVICE INSTRUCTION

TTI Model Number: 018 526 006, 007, 008

M12 FUEL™ 1/4" HIGH SPEED RATCHET

Bulletin Date:

Mar-21

Starting Serial Number:

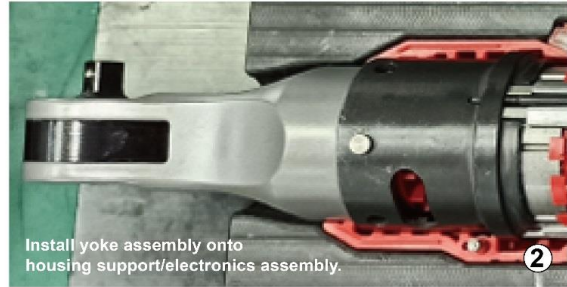
VERSION A -

Place electronics assembly into housing support.
Install LED lens as shown.



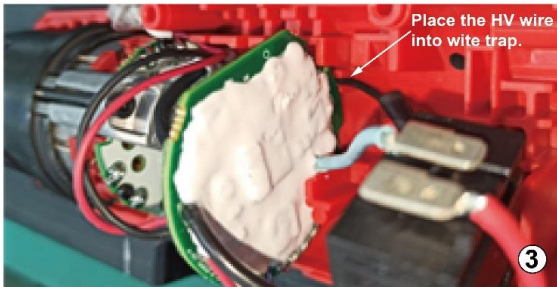
1

Install yoke assembly onto
housing support/electronics assembly.



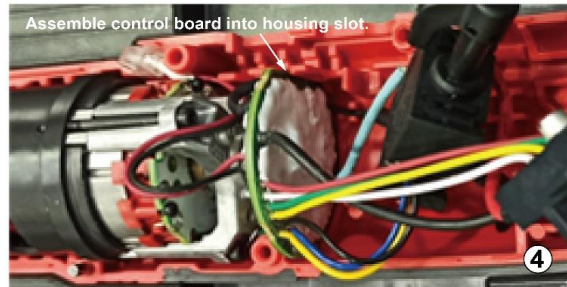
2

Place the HV wire
into wire trap.



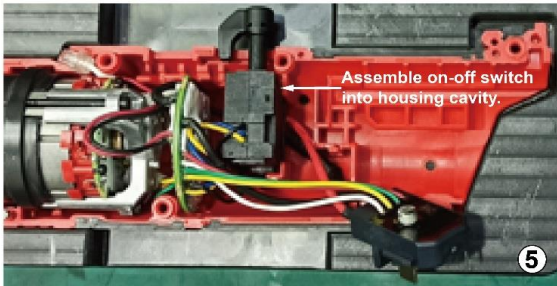
3

Assemble control board into housing slot.



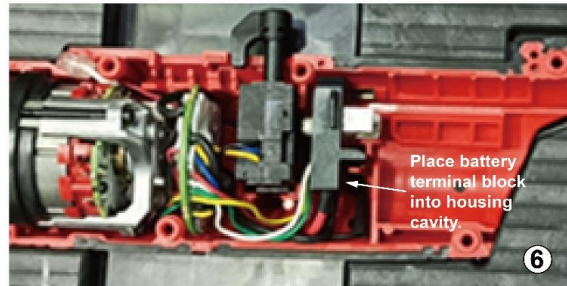
4

Assemble on-off switch
into housing cavity.



5

Place battery
terminal block
into housing
cavity.



6

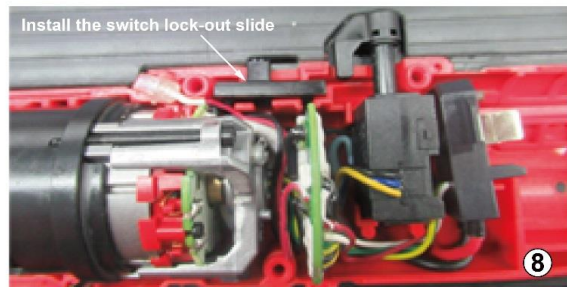
Push all wires down into housing
cavities as shown.

Be sure that all
components are
firmly and squarely
in place.



7

Install the switch lock-out slide



8

PRIOR TO INSTALLING THE HOUSING COVER
ONTO THE HOUSING SUPPORT, BE SURE THAT
THERE ARE NO INTERFERENCES.



9

