



M12 BPD

SERVICE PARTS DIAGRAM

TTI Model Number: 018 086 021, 022, 023, 024, 029, 034

M12™ SUB COMPACT PERCUSSION DRILL

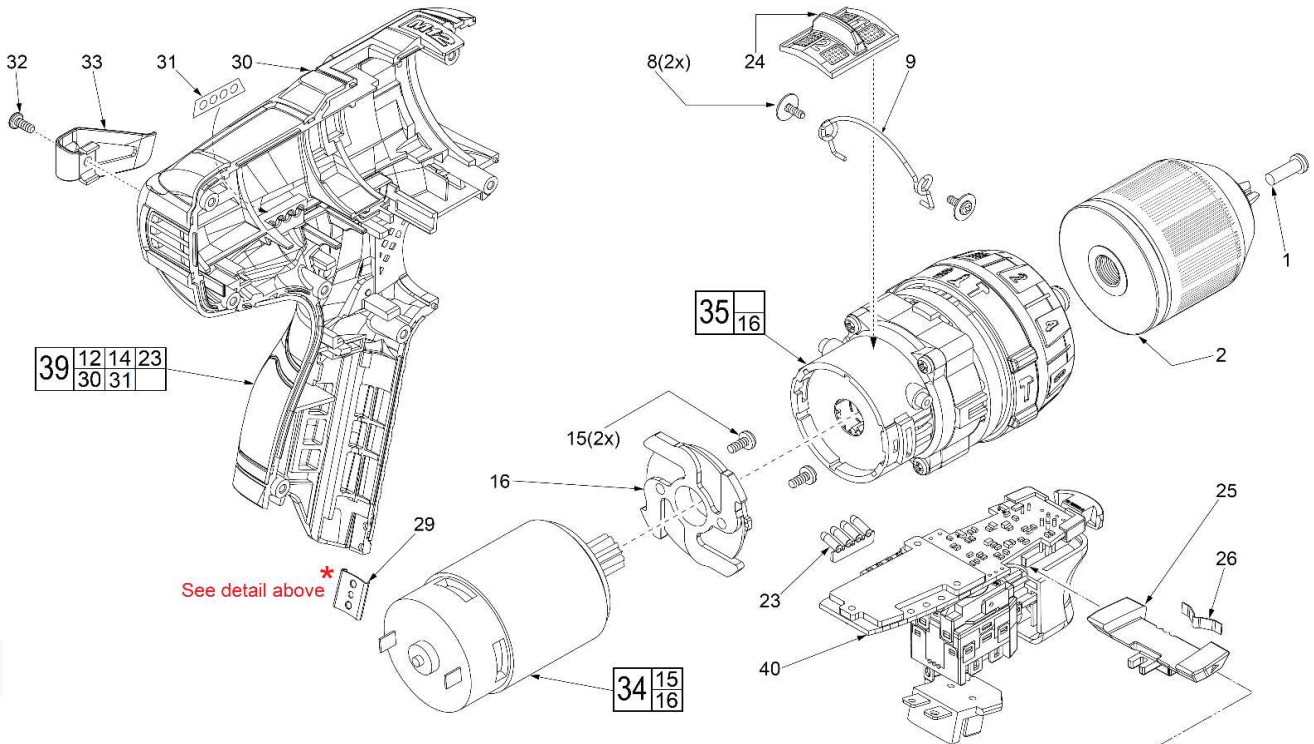
Bulletin Date:

May-20

Starting Serial Number:

VERSION A - C2014

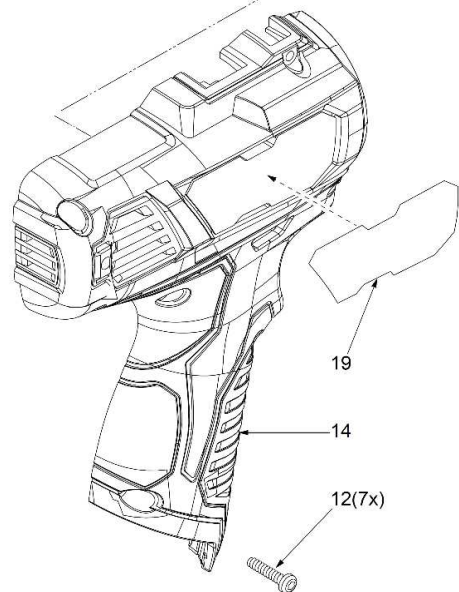
EXAMPLE:
00 0 Component Parts (Small #)
Are Included When Ordering
The Assembly (Large #).



*
Original Design 631542001
Improved Design 631542003
M12™ tools utilize two different Housing Connection Clip designs depending on the Handle Set. See page two for details.

NOTES:

Service replacement gearcase assembly (35) comes with a motor mount plate (16) that must be removed and discarded when servicing. A motor mount plate already exists on the motor assembly (34).





M12 BPD

SERVICE PARTS LIST

TTI Model Number: 018 086 021, 022, 023, 024, 029, 034

M12™ SUB COMPACT PERCUSSION DRILL

Bulletin Date:

May-20

Starting Serial Number:

VERSION A - C2014

ITEM	PART NUMBER	PART DESCRIPTION	QTY (PCS)
1	660120008	M5 X 18.5MM CHUCK SCREW	1
2	670692001	3/8" KEYLESS CHUCK	1
8	661262001	M2.3 X 4.5MM SCREW	2
9	693098001	SPEED SELECTOR LEVER	1
12	660570005	M3.0 X 14MM SCREW	7
14	-	HOUSING COVER (RIGHT)	1
15	-	M3 X 6MM SCREW	2
16	519336003	MOTOR MOUNT PLATE	1
19	941048041	SERVICE NAMEPLATE	1
20	940221344	WARNING LABEL (NOT SHOWN)	1
23	591339001	LIGHT PIPE	1
24	351179001	SPEED SELECTOR SLIDE BUTTON	1
25	591444001	FORWARD/REVERSE SHUTTLE	1
26	633852003	SHUTTLE SPRING PLATE	1
29	631542003	HOUSING CONNECTION CLIP	1
30	-	HOUSING SUPPORT (LEFT)	1
31	-	FUEL GAUGE LABEL	1
32	661703001	M2.5 X 6MM SCREW	1
33	634097001	BELT CLIP	1
34	201086006	MOTOR ASSEMBLY WITH PINION	1
35	201086013	GEARCASE ASSEMBLY	1
38	204866012	CARRYING CASE 018086021, 022, 023, 024, 034 VERSION	1
39	201086007	HOUSING SET	1
40	201086003	SWITCH/ELECTRONICS ASSEMBLY	1



M12 BPD

SERVICE INSTRUCTION

TTI Model Number: 018 086 021, 022, 023, 024, 029, 034

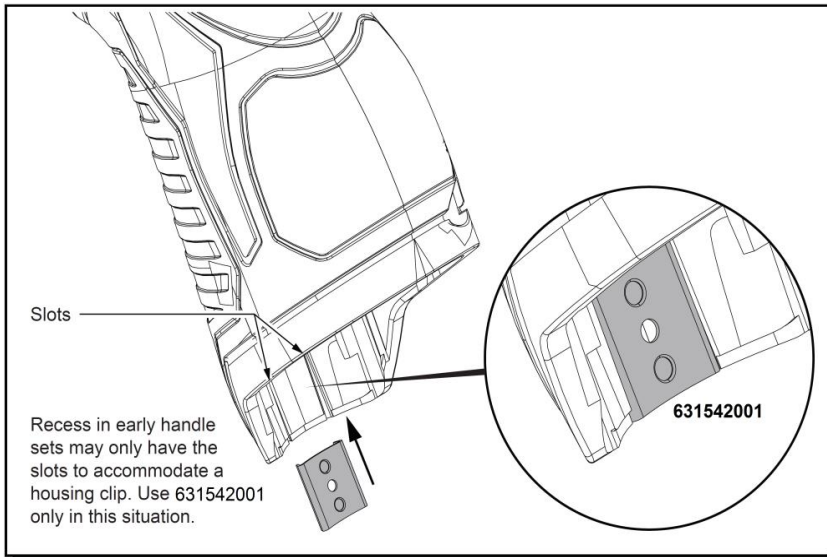
M12™ SUB COMPACT PERCUSSION DRILL

Bulletin Date:

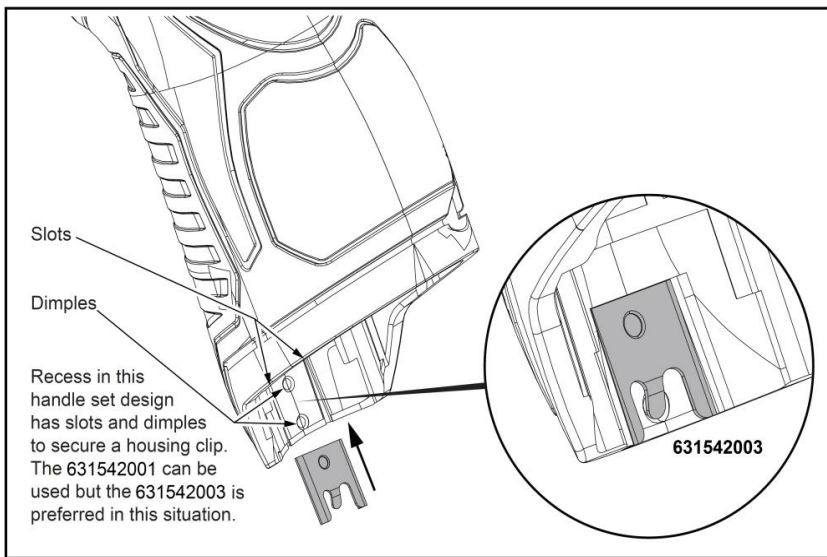
May-20

Starting Serial Number:

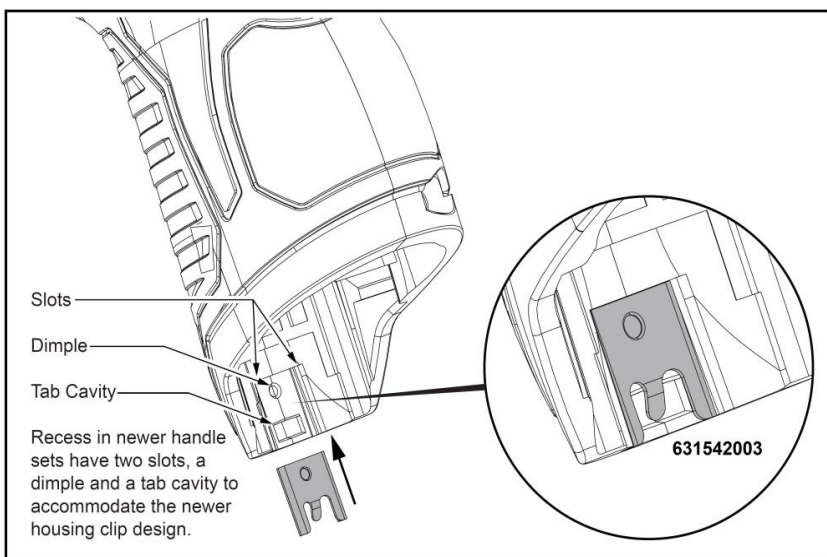
VERSION A - C2014



Early M12™ Handle Sets utilize **Housing Connection Clip No. 631542001**. Install this clip design by aligning the side rails of the clip with the two slots in the handle set. Gently push into place with the aid of a small flat blade screwdriver or a similar instrument. Be sure that the clip is properly seated in both slots and that the clip is flush to sub-flush to the end of the handle set. To remove the clip, use the same small flat blade screwdriver or a similar instrument and push the clip out of the handle set. If the clip is loose or will not stay in place, a needle nose pliers can be used to gently bend/pinch the side rails of the clip. If the clip is damaged do not use, replace with a new 631542001 housing clip.



Updated M12™ Handle Sets utilize **Housing Connection Clips No. 631542001 and 631542003**. (The 631542003 is a preferred upgrade). Install this clip design by aligning the side rails of the clip with the two slots in the handle set. Gently push into place with the aid of a small flat blade screwdriver or a similar instrument. Be sure that the clip is properly seated in both slots and that the tab of the clip snaps down in the round dimpled cavity of the handle set. Be sure that the clip is flush to sub-flush to the end of the handle set. To remove the clip, use the same small flat blade screwdriver or a similar instrument and lift up on the clip tab while pushing the clip out of the handle set. Use a needle nose pliers to gently rebend the clip tab if necessary. If the tab on the clip is damaged during this process and is loose or will not stay in place, replace with a new 631542003 clip.



Newer M12™ Handle Sets utilize **Housing Connection Clip No. 631542003**. Install this clip design by aligning the side rails of the clip with the two slots in the handle set. Gently push into place with the aid of a small flat blade screwdriver or a similar instrument. Be sure that the clip is properly seated in both slots and that the tab of the clip snaps down in the rectangular cavity of the handle set. Be sure that the clip is flush to sub-flush to the end of the handle set. To remove the clip, use the same small flat blade screwdriver or a similar instrument and lift the clip tab out of the cavity while pushing the clip out of the handle set. Use a needle nose pliers to gently rebend the clip tab if necessary. If the tab on the clip is damaged during this process and is loose or will not stay in place, replace with a new 631542003 clip.



M12 BPD

SERVICE INSTRUCTION

TTI Model Number: 018 086 021, 022, 023, 024, 029, 034

M12™ SUB COMPACT PERCUSSION DRILL

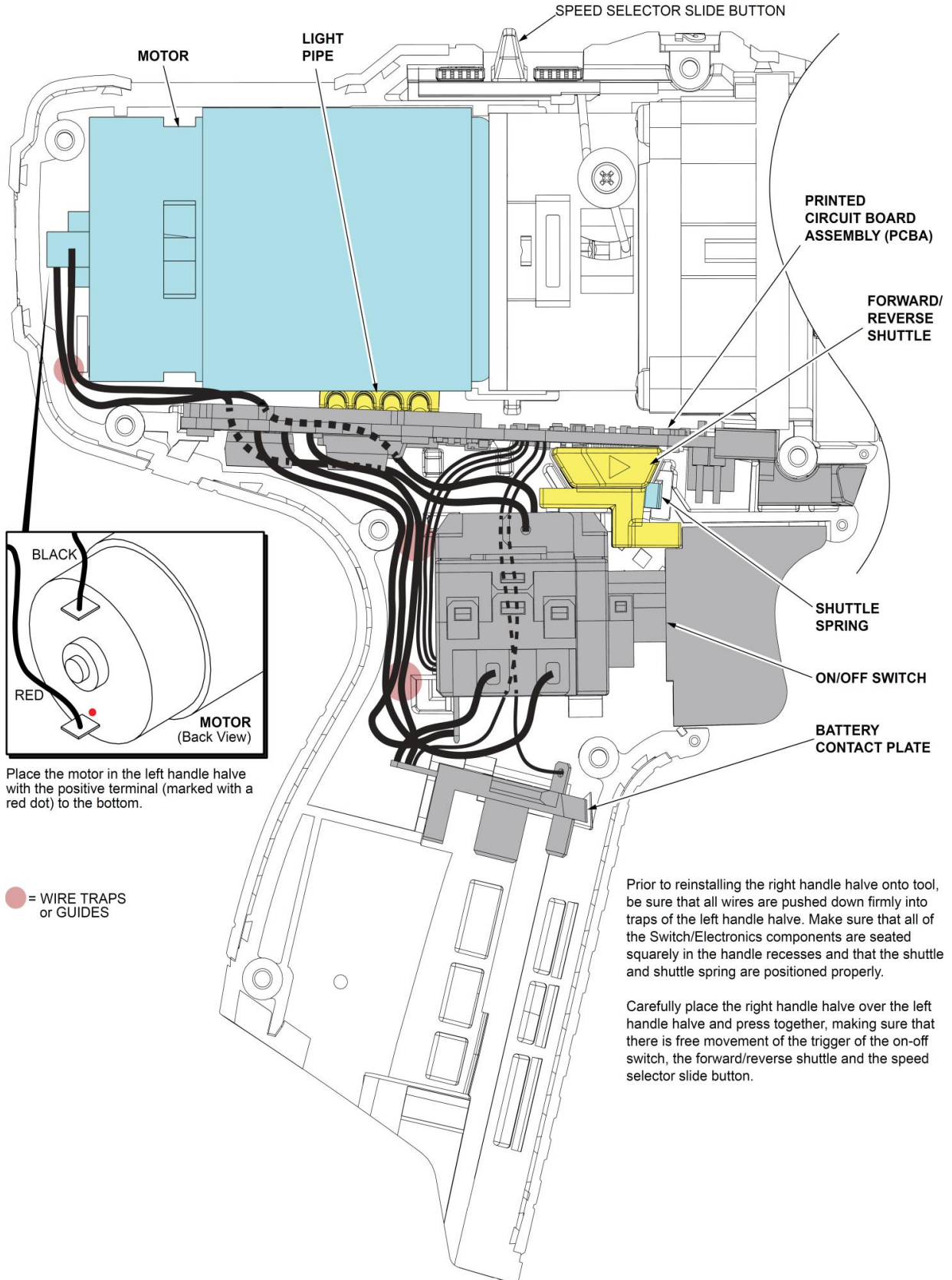
Bulletin Date:

May-20

Starting Serial Number:

VERSION A - C2014

AS AN AID TO REASSEMBLY, TAKE NOTICE OF WIRE ROUTING AND POSITION IN WIRE GUIDES AND TRAPS WHILE DISMANTLING TOOL



Place the motor in the left handle halve with the positive terminal (marked with a red dot) to the bottom.

● = WIRE TRAPS or GUIDES

Prior to reinstalling the right handle halve onto tool, be sure that all wires are pushed down firmly into traps of the left handle halve. Make sure that all of the Switch/Electronics components are seated squarely in the handle recesses and that the shuttle and shuttle spring are positioned properly.

Carefully place the right handle halve over the left handle halve and press together, making sure that there is free movement of the trigger of the on-off switch, the forward/reverse shuttle and the speed selector slide button.