



M12 BI

SERVICE PARTS DIAGRAM

TTI Model Number: 016 088 008

M12™ COMPACT INFLATOR

Bulletin Date:

Apr-20

Starting Serial Number:

VERSION A - K2018

00	0
----	---

 EXAMPLE:
Component Parts (Small #) Are Included
When Ordering The Assembly (Large #).

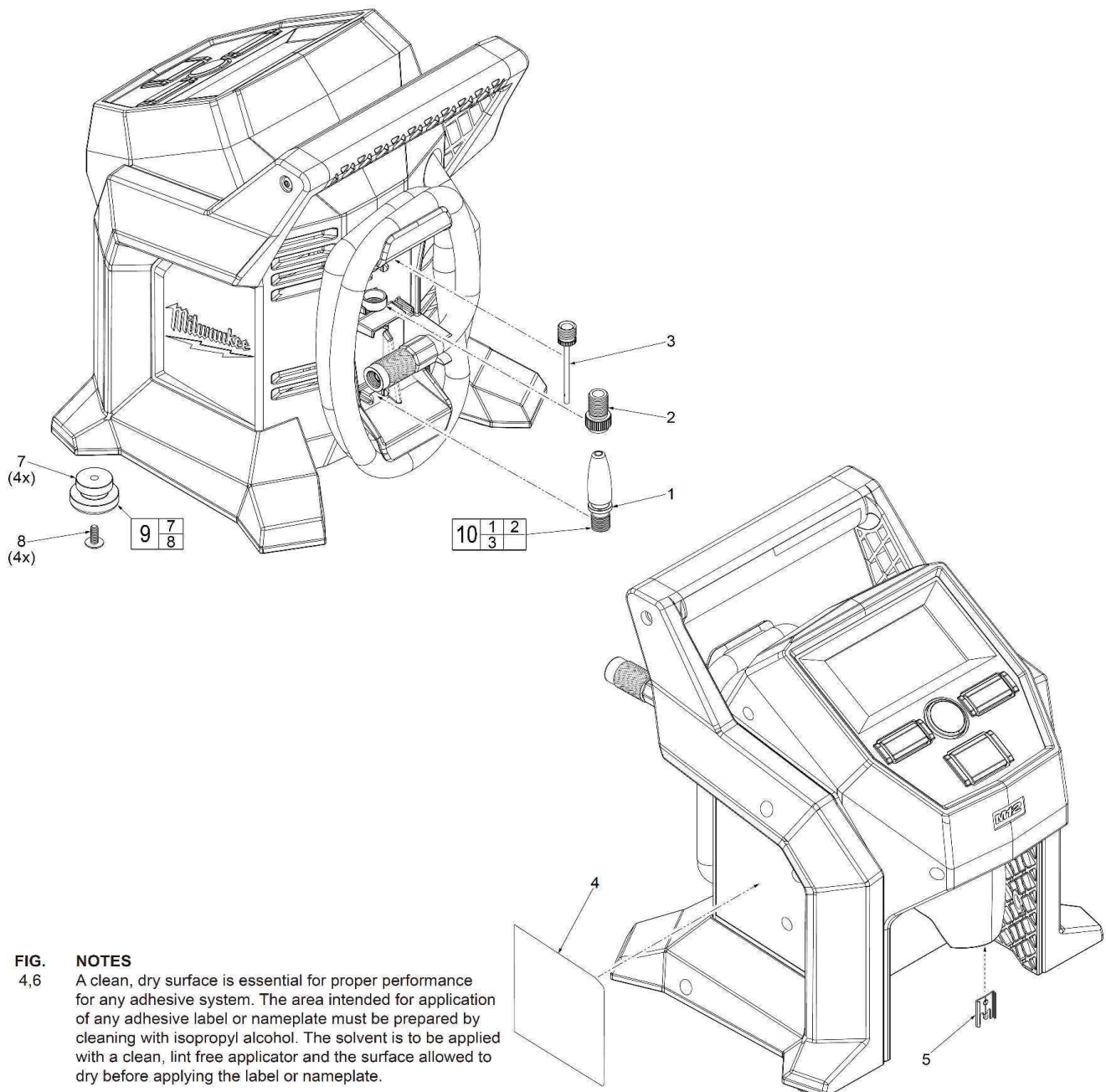



FIG. 4,6 NOTES
A clean, dry surface is essential for proper performance for any adhesive system. The area intended for application of any adhesive label or nameplate must be prepared by cleaning with isopropyl alcohol. The solvent is to be applied with a clean, lint free applicator and the surface allowed to dry before applying the label or nameplate.

	<h1>M12 BI</h1> <p>SERVICE PARTS LIST</p>	Bulletin Date: <h2>Apr-20</h2>
	TTI Model Number: 016 088 008 M12™ COMPACT INFLATOR	Starting Serial Number: VERSION A - K2018

ITEM	PART NUMBER	PART DESCRIPTION	QTY (PCS)
1	-	INFLATING NOZZLE	1
2	-	NOZZLE ADAPTER	1
3	-	INFLATING PIN	1
4	01608800802K	SERVICE NAMEPLATE	1
5	631542003	HOUSING CONNECTION CLIP	1
7	-	RUBBER FOOT	4
8	-	SCREW	4
9	016088001001	FOOT/SCREW SERVICE KIT	1
10	016088008001	INFLATING ATTACHMENT KIT	1