

Milwaukee[®]

Nothing but **HEAVY DUTY**.[®]



C12 RAD

User Manual

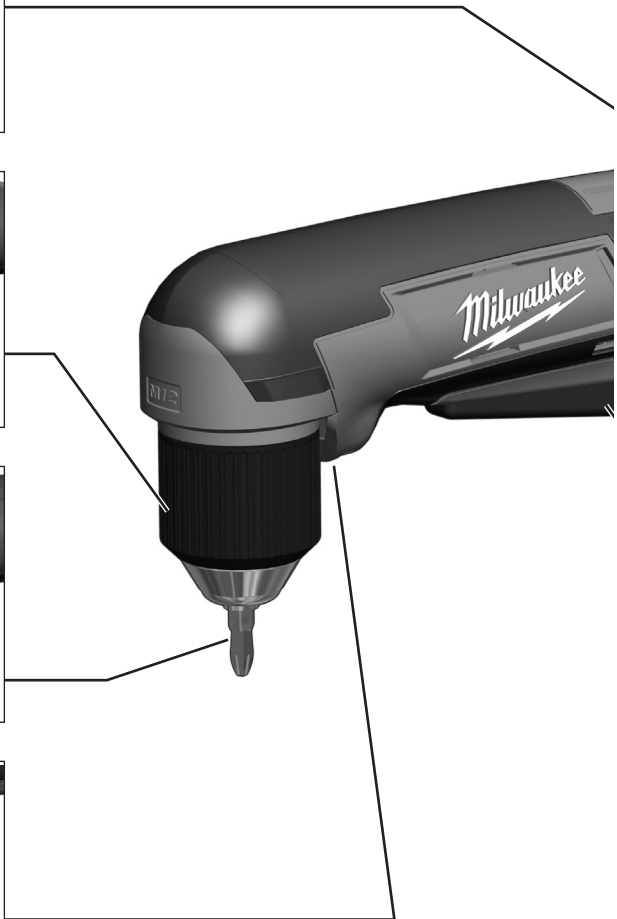
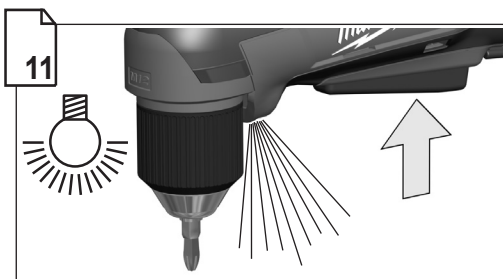
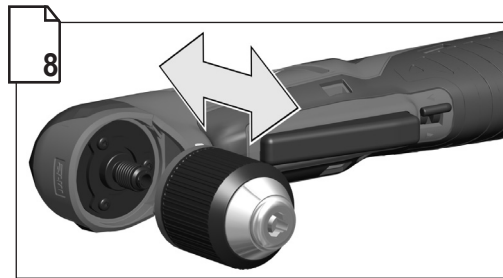
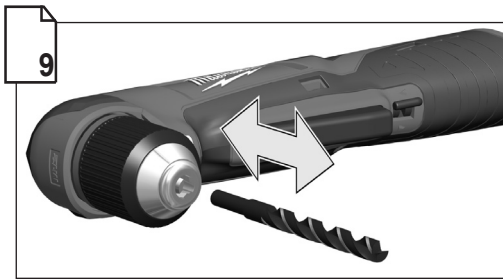
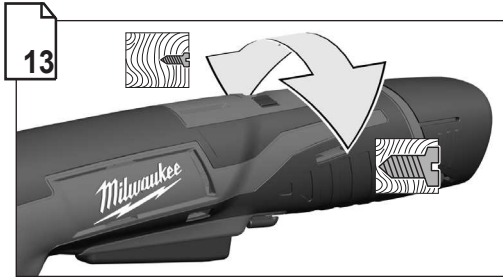
操作指南

操作指南

사용시 주의사항

คู่มือการใช้

Buku Petunjuk Pengguna





Remove the battery pack before starting any work on the machine.

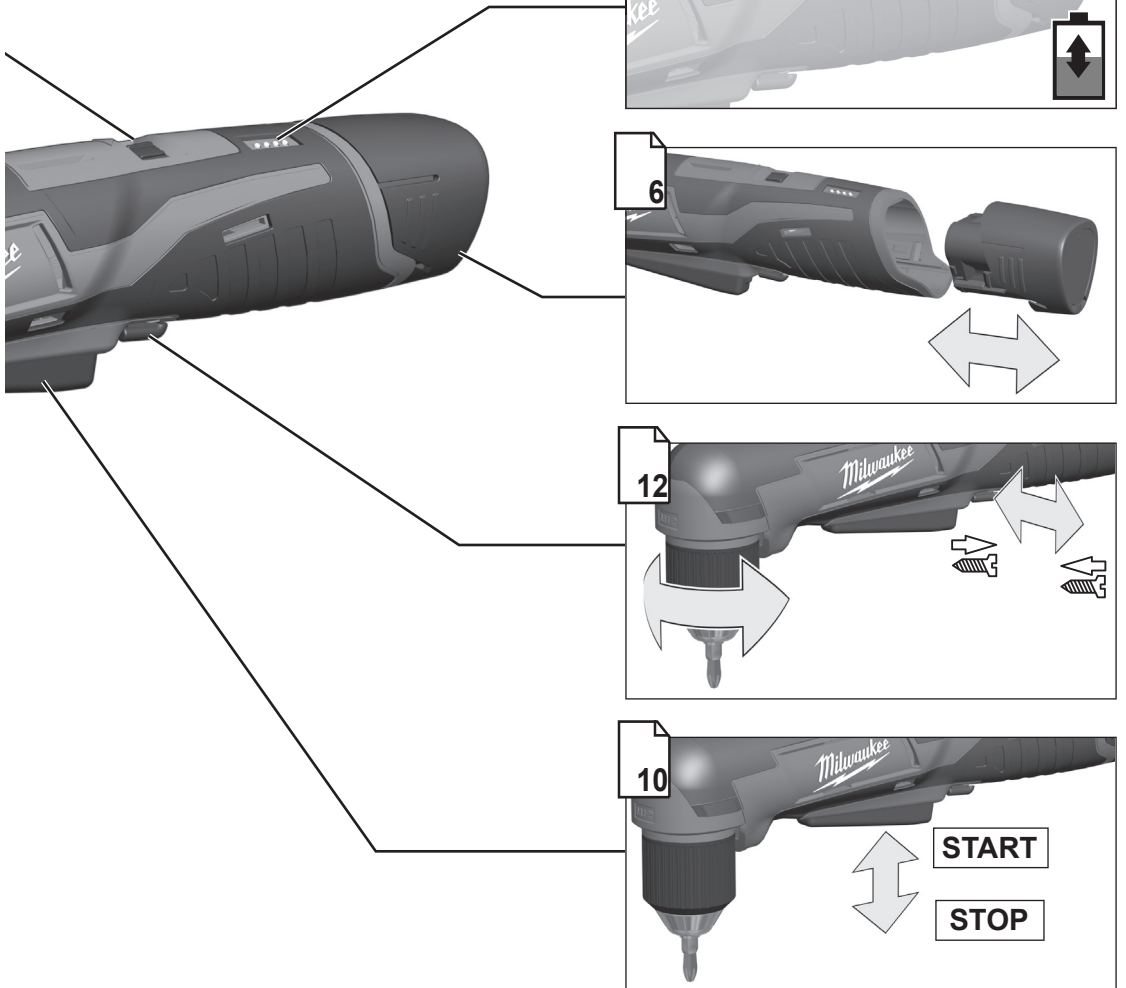
在機器上做任何調整前，請先移除電池。

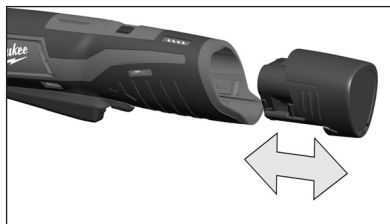
在機器上进行任何修护工作之前，先拿出蓄電池。

기기를 사용하지 않을 때는 배터리를 빼어두십시오.

ถอดก้อนแบตเตอรี่ก่อนที่จะเริ่มการใช้งานใดๆ

Keluarkan pek bateri sebelum memulakan sebarang kerja pada mesin.





Remove the battery pack before starting any work on the machine.

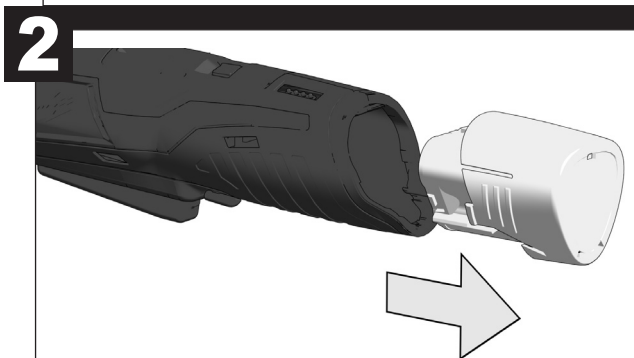
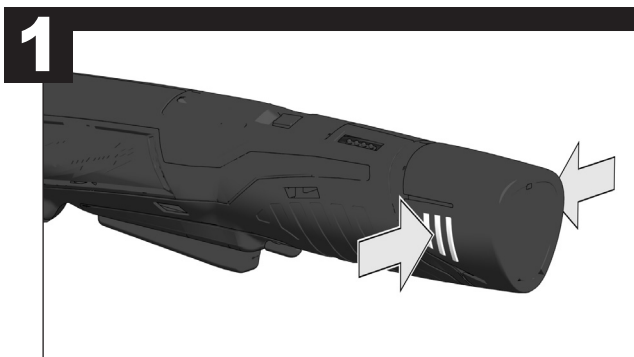
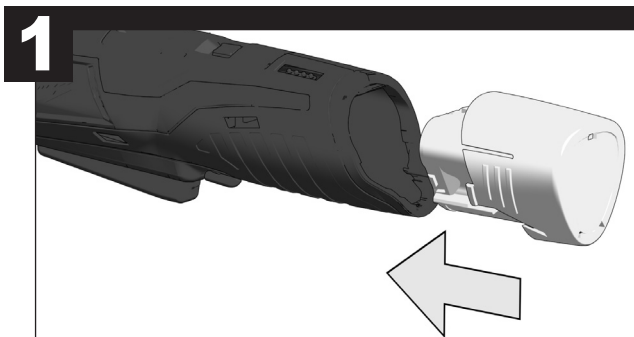
在機器上做任何調整前，請先移除電池。

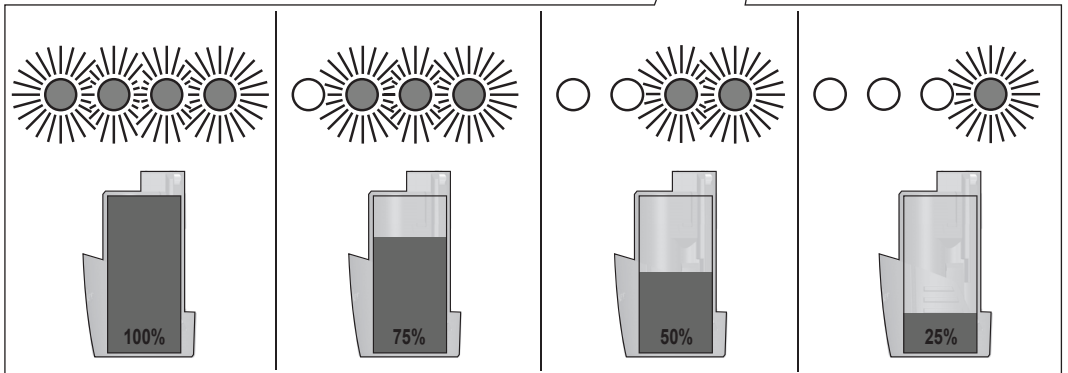
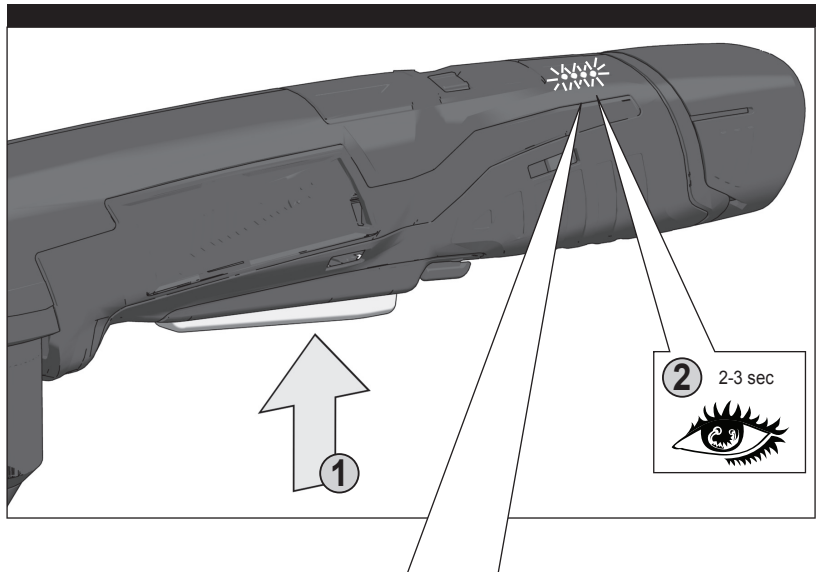
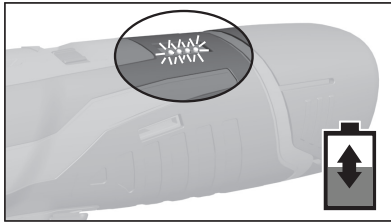
在機器上进行任何修護工作之前，先拿出蓄電池。

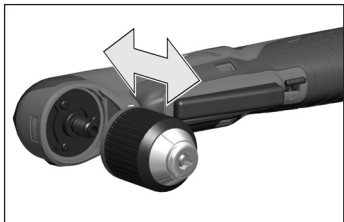
기기를 사용하지 않을 때는 배터리를 빼어두십시오.

ถอดก้อนแบตเตอรี่ก่อนที่จะเริ่มการใช้งานใดๆ

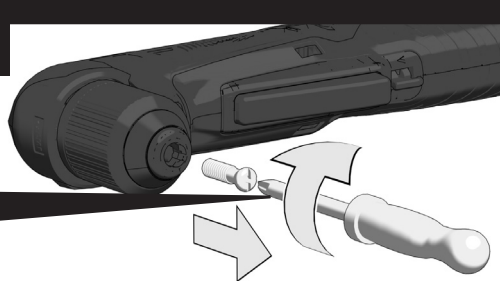
Keluarkan pek bateri sebelum memulakan sebarang kerja pada mesin.



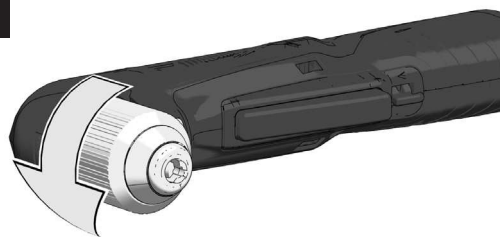




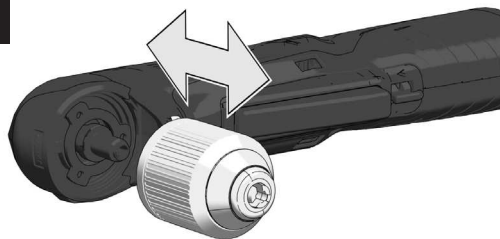
1



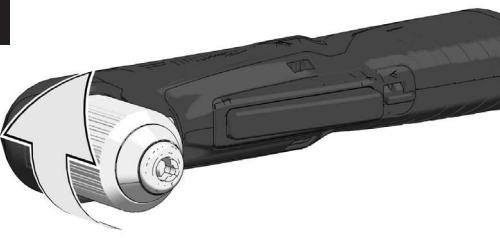
2



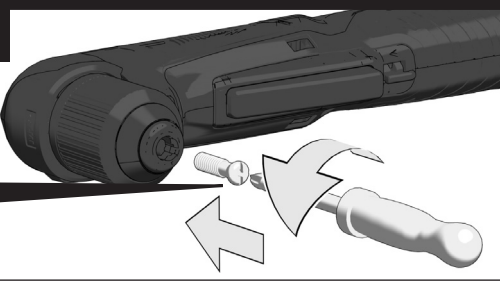
3

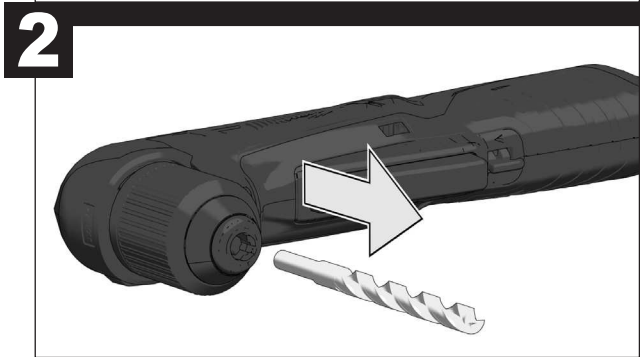
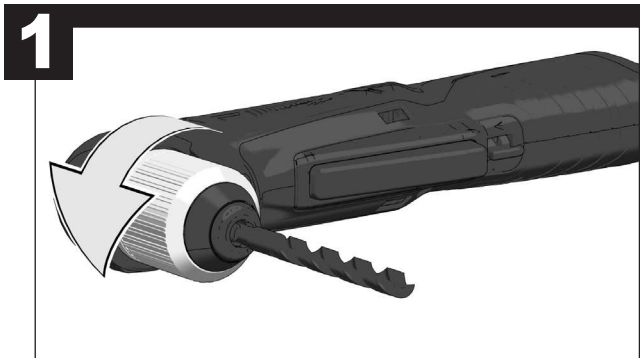
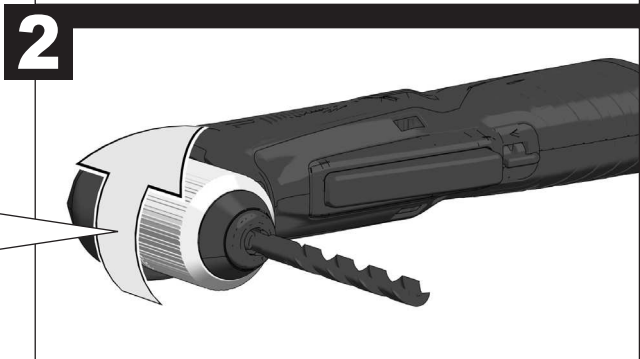
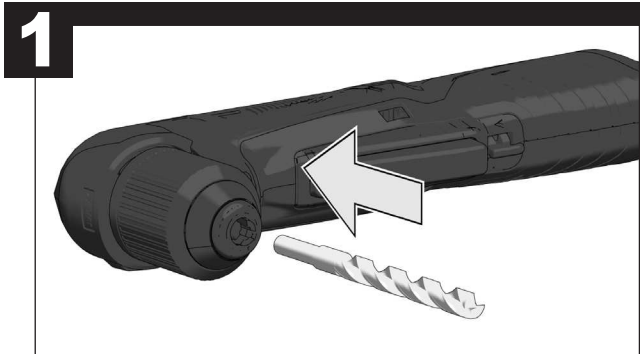
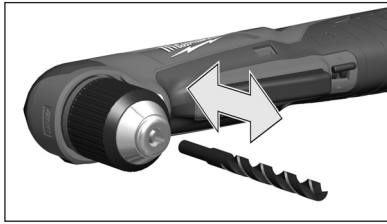


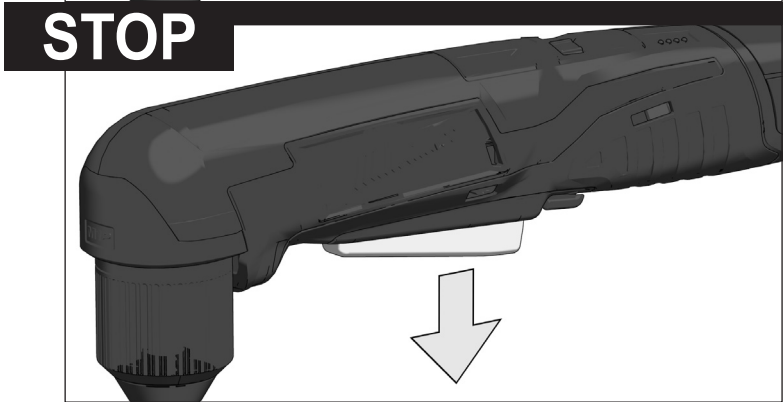
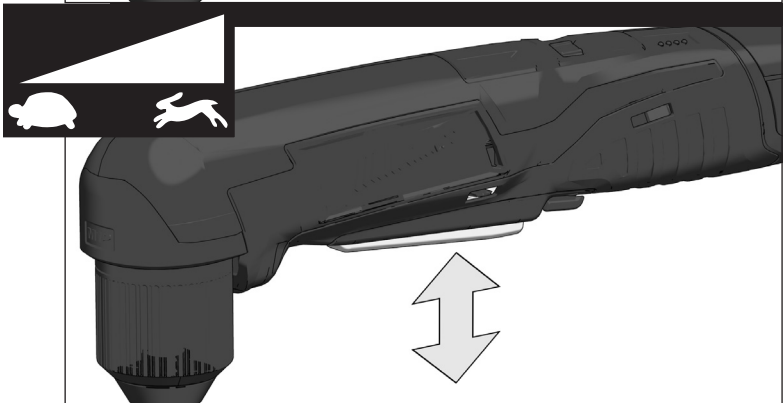
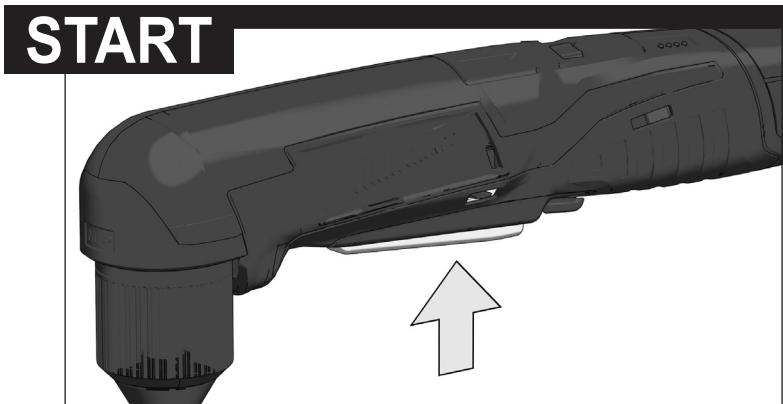
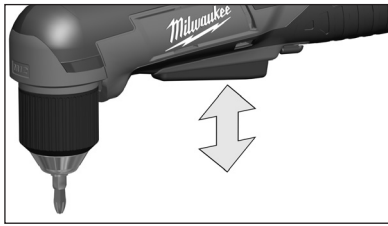
4

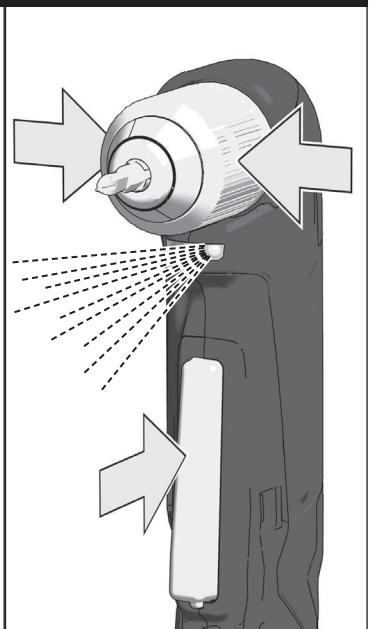
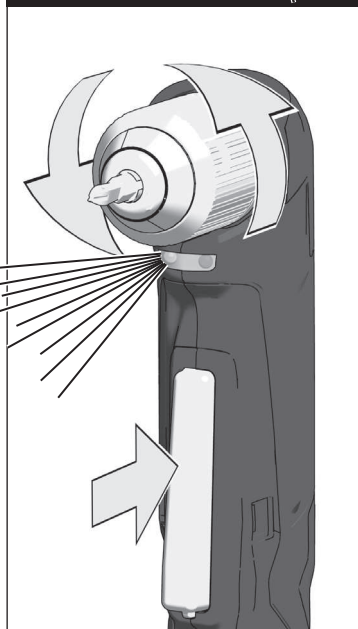
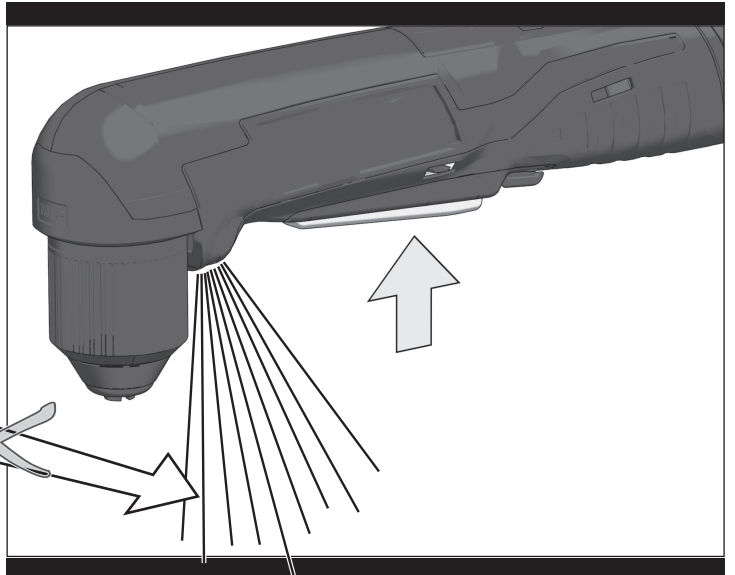
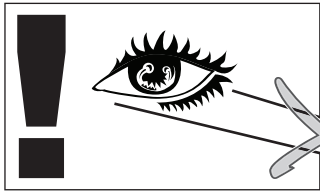
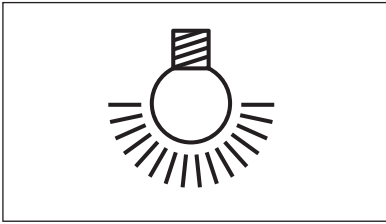


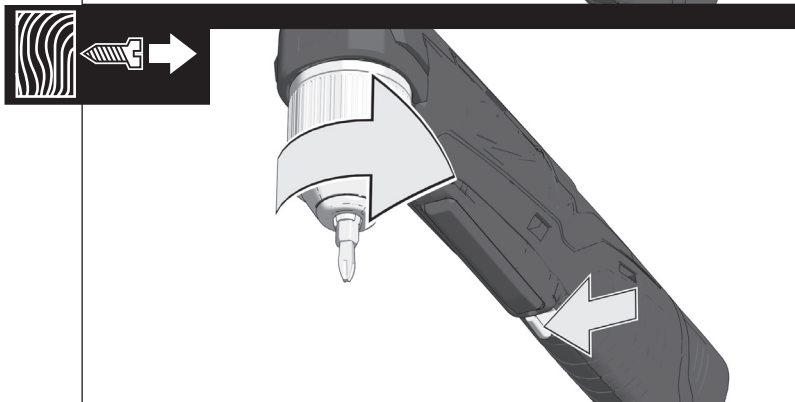
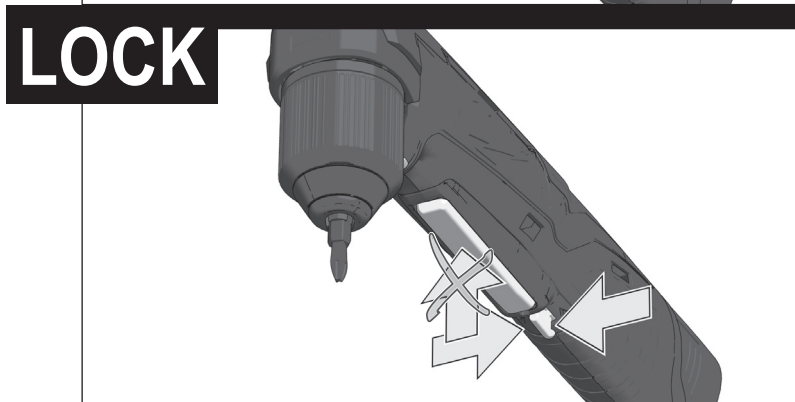
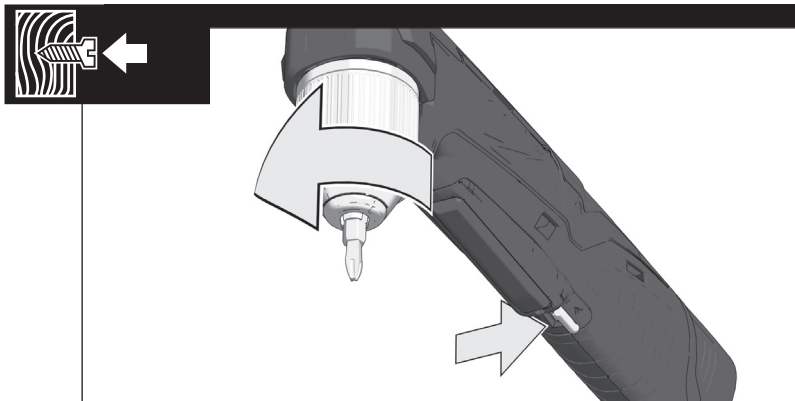
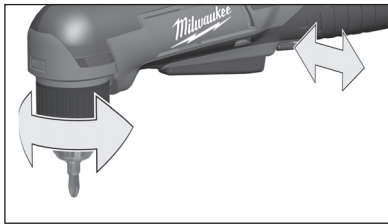
5

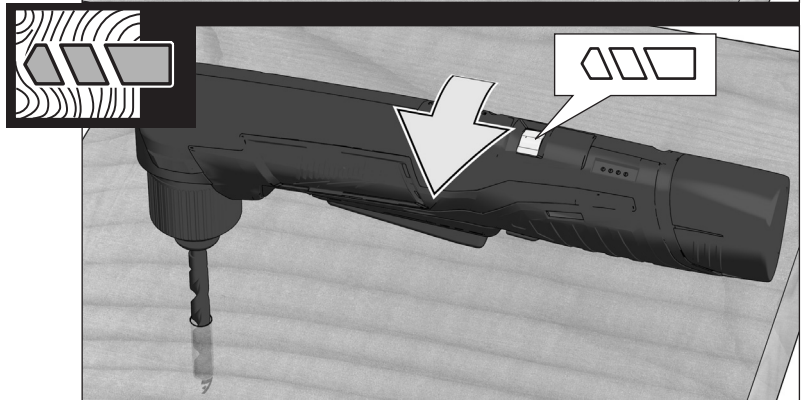
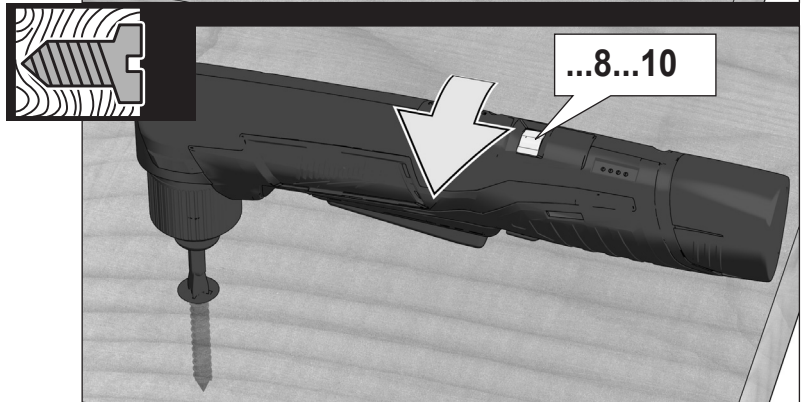
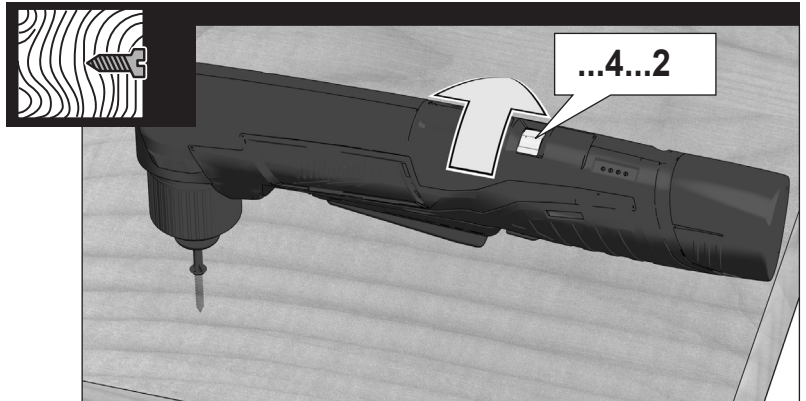












TECHNICAL DATA**C12 RAD**

Drilling capacity in wood	25 mm
Wood screws (without pre-drilling)	6.5 mm
No-load speed	0-800 min ⁻¹
Torque max (Li-Ion Battery 1.5 Ah) *1	12 Nm
Torque max (Li-Ion Battery 3.0 Ah) *1	15 Nm
Battery voltage	12 V
Drill chuck range	1-10 mm
Weight according EPTA-Procedure 01/2003	
with battery 1.5 Ah	1.1 kg
with battery 3.0 Ah	1.3 kg

Noise/vibration information

Measured values determined according to EN 60745.

Typically, the A-weighted noise levels of the tool are:

Sound pressure level (Uncertainty K = 3 dB(A))	64.5 dB (A)
Sound power level (Uncertainty K = 3 dB(A))	75.5 dB (A)

Wear ear protection!

Total vibration values (vector sum in the three axes) determined according to EN 60745:

Vibration emission value a_n

Drilling into metal	< 2.5 m/s ²
Uncertainty K	1.5 m/s ²
Screwdriving	< 2.5 m/s ²
Uncertainty K	1.5 m/s ²

 WARNING!

The vibration emission level given in this information sheet has been measured in accordance with a standardized test given in EN 60745 and may be used to compare one tool with another. It may be used for a preliminary assessment of exposure.

The declared vibration emission level represents the main applications of the tool. However if the tool is used for different applications, with different accessories or poorly maintained, the vibration emission may differ. This may significantly increase the exposure level over the total working period.

An estimation of the level of exposure to vibration should also take into account the times when the tool is switched off or when it is running but not actually doing the job. This may significantly reduce the exposure level over the total working period.

Identify additional safety measures to protect the operator from the effects of vibration such as: maintain the tool and the accessories, keep the hands warm, organisation of work patterns.

 WARNING! Read all safety warnings and all instructions.

Failure to follow the warnings and instructions may result in electric shock, fire and/or serious injury.

Save all warnings and instructions for future reference.

DRILL SAFETY WARNINGS

Hold power tool by insulated gripping surfaces, when performing an operation where the cutting accessory may contact hidden wiring. Cutting accessory contacting a "live" wire may make exposed metal parts of the power tool "live" and could give the operator an electric shock.

SCREWDRIVER SAFETY WARNINGS

Hold power tool by insulated gripping surfaces, when performing an operation where the fastener may contact hidden wiring. Fasteners contacting a "live" wire may make exposed metal parts of the power tool "live" and could give the operator an electric shock.

ADDITIONAL SAFETY AND WORKING INSTRUCTIONS

Use protective equipment. Always wear safety glasses when working with the machine. The use of protective clothing is recommended, such as dust mask, protective gloves, sturdy non-slip footwear, helmet and ear defenders.

The dust produced when using this tool may be harmful to health. Do not inhale the dust. Wear a suitable dust protection mask. Do not machine any materials that present a danger to health (e.g., asbestos).

Switch the device off immediately if the insertion tool stalls! Do not switch the device on again while the insertion tool is stalled, as doing so could trigger a sudden recoil with a high reactive force. Determine why the insertion tool stalled and rectify this, paying heed to the safety instructions.

The possible causes may be:

- it is tilted in the workpiece to be machined
- it has pierced through the material to be machined
- the power tool is overloaded

Do not reach into the machine while it is running.

The insertion tool may become hot during use.

WARNING! Danger of burns

- when changing tools
- when setting the device down

Chips and splinters must not be removed while the machine is running.

When working in walls ceiling, or floor, take care to avoid electric cables and gas or waterpipes.

Clamp your workpiece with a clamping device. Unclamped workpieces can cause severe injury and damage.

Remove the battery pack before starting any work on the machine.

Do not dispose of used battery packs in the household refuse or by burning them. Milwaukee Distributors offer to retrieve old batteries to protect our environment.

Do not store the battery pack together with metal objects (short circuit risk).

Use only System M12 chargers for charging System M12 battery packs. Do not use battery packs from other systems.

Never break open battery packs and chargers and store only in dry rooms. Keep dry at all times.

Battery acid may leak from damaged batteries under extreme load or extreme temperatures. In case of contact with battery acid wash it off immediately with soap and water. In case of eye contact rinse thoroughly for at least 10 minutes and immediately seek medical attention.

SPECIFIED CONDITIONS OF USE

The battery drill/screwdriver may be used for drilling and screwdriving for independent use away from mains supply.

Do not use this product in any other way as stated for normal use.

BATTERIES

Battery packs which have not been used for some time should be recharged before use.

Temperatures in excess of 50°C (122°F) reduce the performance of the battery pack. Avoid extended exposure to heat or sunshine (risk of overheating).

The contacts of chargers and battery packs must be kept clean.

For an optimum life-time, the battery packs have to be fully charged, after used.

To obtain the longest possible battery life remove the battery pack from the charger once it is fully charged.

For battery pack storage longer than 30 days:

Store the battery pack where the temperature is below 27°C and away from moisture

Store the battery packs in a 30% - 50% charged condition
Every six months of storage, charge the pack as normal.

BATTERY PACK PROTECTION

In extremely high torque, binding, stalling and short circuit situations that cause high current draw, the tool will stop for about 2 seconds and then the tool will turn OFF.

To reset, release the trigger.

Under extreme circumstances, the internal temperature of the battery could become to high. If this happens, the battery will shut down.

TRANSPORTING LITHIUM BATTERIES

Lithium-ion batteries are subject to the Dangerous Goods Legislation requirements.

Transportation of those batteries has to be done in accordance with local, national and international provisions and regulations.

- The user can transport the batteries by road without further requirements.
- Commercial transport of Lithium-Ion batteries by third parties is subject to Dangerous Goods regulations. Transport preparation and transport are exclusively to be carried out by appropriately trained persons and the process has to be accompanied by corresponding experts.

When transporting batteries:

- Ensure that battery contact terminals are protected and insulated to prevent short circuit.
- Ensure that battery pack is secured against movement within packaging.
- Do not transport batteries that are cracked or leak.

Check with forwarding company for further advice

MAINTENANCE

Use only Milwaukee accessories and spare parts. Should components need to be replaced which have not been described, please contact one of our Milwaukee service agents.

If needed, an exploded view of the tool can be ordered. Please state the serial no. as well as the machine type printed on the label and order the drawing at your local service agents.

SYMBOLS



CAUTION! WARNING! DANGER!



Remove the battery pack before starting any work on the machine.



Please read the instructions carefully before starting the machine.



Do not dispose of electric tools together with household waste material. Electric tools and electronic equipment that have reached the end of their life must be collected separately and returned to an environmentally compatible recycling facility. Check with your local authority or retailer for recycling advice and collection point.

鑽孔直徑（使用於木材）	25 mm
木螺釘（沒有預先鑽孔）	6.5 mm
無負載轉速	0-800 min ⁻¹
最大扭矩（鋰電池1.5 Ah）*1	12 Nm
最大扭矩（鋰電池 3.0 Ah）*1	15 Nm
電池電壓	12 V
電鑽夾頭的範圍	1-10 mm
根據EPTA-Procedure 01/2003的重量	
含電池（1.5 Ah）	1.1 kg
含電池（3.0 Ah）	1.3 kg

噪音/震動資訊

依 EN 60745 所測的測量值

一般來說，本工具的A加權噪音標準為：

聲壓量測 (K = 3 dB(A))	64.5 dB (A)
聲壓率級 (K = 3 dB(A))	75.5 dB (A)

佩戴耳罩。

依EN 60745所測的振動總值（三軸向量總和）

震動釋放值 a _n	
鑽入金屬	< 2.5 m/s ²
不確定性 K=	1.5 m/s ²
螺絲起子	< 2.5 m/s ²
不確定性 K=	1.5 m/s ²


 警告！

本說明書所提供的震動等級是依EN 60745 規定的標準化測試所測得，且可能用於與另一個工具進行比較。該等級可用來初步評估風險。

宣告的震動釋放等級代表的是本工具的主要應用。然而，如果用於不同的應用、使用不同的配件或保養不當，震動釋放也可能不同。這可能會在總工作時間上顯著增加風險等級。

評估震動暴露的等級還應考慮本工具關機時的時間，或當工具運轉但卻未實際使用的時間。這可能會明顯降低總工作期間的風險等級。

請確認額外的安全措施，以保護操作員不受震動的影響，例如：保養本工具與配件、保持手部溫暖和井然有序的工作方式。

 警告！閱讀所有安全警告和說明。

若不按照警告和說明操作，則可能會導致電擊、火災和/或嚴重傷害。
將所有警告和說明保存好，方便以後查閱。

電鑽安全警告

若作業時切割配件有可能接觸隱藏的接線，請握住電動工具的絕緣抓面。切割配件接觸火線可能會導致電動工具裸露的金屬部分帶電，可能會導致操作人員觸電。

螺絲刀安全警告

若作業時緊固件有可能接觸隱藏的接線，請握住電動工具的絕緣抓面。緊固件接觸火線可能會導致電動工具裸露的金屬部分帶電，可能會導致操作人員觸電。

其他安全和工作說明

使用防護裝備。使用機器時，務必佩戴護目鏡。建議穿戴防護裝備，例如防塵罩、防護手套、堅固防滑的鞋具、安全帽和護耳器。

使用此工具時產生的粉塵可能會影響健康。切勿吸入粉塵。戴上適當的防塵罩。切勿加工可能會影響健康的材料（例如石棉）。

如果插入工具停止轉動，則立即關閉設備。插入工具停止轉動時，切

勿重新啟動設備，否則可能會導致突然後退，產生較大的反作用力。確定插入工具停止轉動的原因並及時解決，同時注意安全說明。

可能的原因包括：

- 它在待加工工件內傾斜
- 它穿透了待加工材料
- 電動工具過載

機器運行時，切勿伸入它的內部。

使用過程中，施工中的工具會發熱。

警告！以下情況有燙傷的危險：

- 更換工具時
- 放下機器時

機器運行時，不得清除碎屑和碎片。

在牆壁、天花板或地板上作業時，注意避開電線、燃氣或自來水管道。

使用夾緊裝置固定好工件。未夾緊的工件可能會導致嚴重傷害和損傷。

在機器上做任何調整前，請先取出電池組。

勿將用過的電池組與家庭廢棄物混合或燃燒電池。Milwaukee經銷商提供舊電池回收，以保護我們的環境。

勿將電池匣與其他金屬物品一起存放（可能引起短路）。

僅可使用M12系統充電器對M12系統電池進行充電。請勿使用其他系統的電池。

不可拆開電池和充電器。電池和充電器必須儲藏在乾燥的空間，勿讓濕氣滲入。必須經常保持乾燥。

在極端負載或極端溫度下，損壞的電池可能漏出內部酸液。若接觸到電池酸液，請即刻用肥皂與清水洗去。若酸液接觸到眼睛，以清水沖洗至少10分鐘後立即就醫。

特定使用條件

在沒有市電電源下，本產品可用於鑽孔和螺絲起子。

切勿將本產品用於正常使用之外的其他用途。

電池

久未使用的電池必須重新充電後再使用。

超過 50° C (122° F) 的高溫會降低電池的效能。避免暴露於高溫或陽光下(可能導致過熱)。

充電器和電池組的接點處應保持清潔。

為確保最佳電池使用壽命，電池組使用後，應再完全充電。

為確保電池的最長壽命，充電完成後，勿將電池匣繼續留在充電器上。

電池存放超過30天

將電池組存放於溫度低於27° C的環境，且避免受潮。

將電池組保持在充電量30%-50%的狀態。

存放中的電池組應每六個月照常充電一次。

電池保護 / 鋰電池

在極高的扭矩、結合、停滯和引起高電流消耗短路的情況下，工具將震動約5秒，電池燈會閃爍，然後工具將關閉。

如要重置，鬆開扳機。

在極端情況下，電池組內部的溫度可能過度提升。如果發生這種情況，電池不會提供電力。

運輸鋰電池

鋰離子電池須受制於危險品法例的要求。

運送鋰電池必須在符合當地、國家及國際標準及法例的情況下進行。

- 使用者可於陸地上運送電池而毋須受限。
- 第三方負責的商業式鋰電池運送須受制於危險品法例。運送的預備及過程必須由受嚴格訓練的人士進行，亦必須得到專家在場監管。

運送電池時：

- 請確保電池接觸終端受到嚴密保護及經過絕緣，防止短路。
- 請確保電池組妥善包裝，防止碰撞磨刷。
- 切勿運送有裂痕或洩漏中的電池。

與速遞公司緊密聯繫以獲得進一步資訊。

維護

只能使用 Milwaukee 配件和備件。如果需要更換的組件在此沒有介紹，請與其中一個 Milwaukee 服務代理機構聯繫（參見我們的維修/服務地址列表）。

如果需要機器的分解圖，可以向您的顧客服務中心查詢。索件時，請您當地的向顧客服務中心提供以下資料：機器銘牌上的產品號碼及機型。

符號



注意！警告！危險！



在機器上做任何調整前，請先取出電池。



啟動機器前，請仔細閱讀本說明。



不要將電動工具與家庭垃圾材料一起處置。當電動工具和電動設備達到使用壽命時，必須單獨收集，並送至環保回收機構。請與當地相關部門或經銷商聯繫，了解回收建議和收集地點。

钻孔直径（使用于木材）	25 mm
木螺钉（没有预先钻孔）	6.5 mm
无负载转速	0-800 min ⁻¹
最大扭矩（锂电池1.5 Ah）*1	12 Nm
最大扭矩（锂电池3.0 Ah）*1	15 Nm
电池电压	12 V
电钻夹头的范围	1-10 mm
重量符合EPTA-Procedure 01 / 2003	
含电池（1.5 Ah）	1.1 kg
含电池（3.0 Ah）	1.3 kg

噪音/振动信息

本测量值符合 EN 60 745 条文的规定。

器械的标准A-值噪音级为:

音压值 (K=3dB(A))	64.5 dB (A)
音量值 (K=3dB(A))	75.5 dB (A)

佩戴耳罩。

依欧盟EN 60745 标准确定的振动总值（三方向矢量和）。

振动值a _h	
钻入金属	< 2.5 m/s ²
不确定性 K	1.5 m/s ²
螺丝起子	< 2.5 m/s ²
不确定性 K	1.5 m/s ²



警告！

本说明书所提供的震动等级是依EN 60745 规定的标准化测试所测得，且可能用于与另一个工具进行比较。该等级可用来初步评估风险。宣告的震动释放等级代表的是本工具的主要应用。然而，如果用于不同的应用、使用不同的配件或保养不当，震动释放也可能不同。这可能会在总工作时间内显著增加风险等级。

评估震动暴露的等级还应考虑本工具关机时的时间，或当工具运转但却未实际使用的时间。这可能会明显降低总工作期间的风险等级。请确认额外的安全措施，以保护操作员不受震动的影响，例如：保养本工具与配件、保持手部温暖和井然有序的工作方式。



警告！ 阅读所有安全警告和说明。

不遵照以下警告和说明会导致电击、着火和/或严重伤害。

保存所有警告和说明书以备查阅

电钻安全警告

当作业时切割附件可能接触隐藏的接线或自己的电线时，只能握住电动工具的绝缘抓面。切割附件接触火线可能会导致电动工具裸露的金属部分带电，可能会导致操作人员触电。

螺丝刀安全警告

当作业时紧固件可能接触隐藏的接线或自己的电线时，只能握住电动工具的绝缘抓面。紧固件接触火线可能会导致电动工具裸露的金属部分带电，可能会导致操作人员触电。

其他安全和工作说明

使用防护装备。使用机器时，务必佩戴护目镜。建议穿戴防护装备，例如防尘罩、防护手套、结实的防滑鞋、安全帽和护耳器。

使用此工具时产生的粉尘可能会影响健康。切勿吸入粉尘。戴上适当的防尘罩。切勿加工可能会影响健康的材料（例如石棉）。

如果插入工具停止转动，则立即关闭设备。插入工具停止转动时，切勿重新启动设备，否则可能会导致突然后退，产生较大的反作用力。确定插入工具停止转动的原因并及时解决，同时注意安全说明。

可能的原因包括：

- 它在待加工工件内倾斜
- 它穿透了待加工材料
- 充电工具过载

机器运行时，切勿伸入它的内部。

使用过程中，施工中的工具会发热。

警告！以下情况有烧伤危险：

- 更换工具时
- 放下机器时

机器运行时，不得清除碎屑和碎片。

在墙壁、天花板或地板上作业时，注意避开电线、燃气或自来水管道。

使用夹具装置固定好工件。未夹紧的工件可能会导致严重伤害和损伤。

在机器上进行任何修护工作之前，先拿出电池。

用过的电池组不可以丢入火中或一般的家庭垃圾中。Milwaukee经销商提供旧电池回收，以保护我们的环境。

电池不可以和金属物体存放在一起（可能产生短路）。

M12 系列的电池组只能和 M12 系列的充电器配合使用。不可以使用本充电器为其它系列的电池充电。

不可拆开电池和充电器。电池和充电器必须储藏在干燥的空间，勿让湿气渗入。

在过度超荷或极端的温度下，可能从损坏的电池中流出液体。如果触摸了此液体，必须马上使用肥皂和大量清水冲洗。如果此类液体侵入眼睛，马上用清水彻底清洗眼睛（至少冲洗 10 分钟），接着即刻就医治疗。

特定使用条件

在没有市电电源下，本产品可用于钻孔和螺丝起子。

切勿将本产品用于正常使用之外的其他用途。

电池

长期储放的电池，必须先充电再使用。

超过50° C (122° F) 的高温会降低电池组的效能。避免暴露于高温或阳光下(可能导致过热)。

避免暴露于高温或阳光下(可能导致过热)。

为获得最长寿命，使用后应把电池充满电。

为确保最长使用寿命，充电后应把电池从充电器取出。

电池储存时间长于30日：

在环境温度27° C左右干燥处储存电池。

在百分之30至50充电状态储存电池组。

每6个月重新充电。

电池超载保护 / 锂电池

在极高的扭矩、结合、停滞和引起高电流消耗短路的情况下，工具将震动约5秒，电池灯会闪烁，然后工具将关闭。

如要重置，松开扳机。

在极端情况下，电池组内部的温度可能过度提升。如果发生这种情况，电池不会提供电力。

锂电池的运输

锂电池属于危险货品并受制于危险货品运输条例。

此电池的运输必须遵守地方、国家和国际法律规定。

- 用户在公路上运输此电池组不必遵守特殊规定。
- 锂电池的商业性运输受制于危险货品运输条例的规定。运输准备和运输必须由受过合适培训人员进行。全部过程必须由合格专业人员监督。

运输电池时必须注意到下列事项：

- 为避免短路，必须确保电池接点的防护和绝缘。
- 确保包装中的电池包不会滑动。
- 严禁运输损坏或泄漏电池。

进一步建议请联系运输商。

维护

只能使用 Milwaukee 附件和备件。缺少检修说明的机件如果损坏了，必须交给 Milwaukee 的顾客服务中心更换。

如果需要机器的分解图，可以向您的顾客服务中心。案件时，必须向您的顾客服务中心提供以下资料：铭牌上机器的号码和机型。

符号



注意！警告！危险！



在机器上进行任何修护工作之前，先拿出电池。



启动机器前，请仔细阅读本说明。



不要将电动工具与家庭垃圾材料一起处置。当电动工具和电动设备达到使用寿命时，必须单独收集，并送至环保回收机构。请与当地主管部门或经销商联系，了解回收建议和收集地点。

목재 드릴 성능	25 mm
나사 못(사전 천공이 필요없는)	6.5 mm
무부하 속도	0-800 min ⁻¹
최대 토크 배터리 장착 1.5 Ah	12 Nm
최대 토크 배터리 장착 3.0 Ah	15 Nm
배터리 전압	12 V
드릴 물림쇠 범위	1-10 mm
EPTA 규정 01/2003에 따른 총량	
배터리 포함 총량(1.5 Ah)	1.1 kg
배터리 포함 총량(3.0 Ah)	1.3 kg

소음/진동 정보

EN 60745에 따라 판별한 측정 값.

일반적인 톨의 A-가중 소음 레벨:

음압 레벨(불확정 K=3dB(A)) 64.5 dB (A)

음향 파워 레벨(불확정 K=3dB(A)) 75.5 dB (A)

귀마개를 착용하십시오!

EN 60745에 따라 판별한 전체 진동 값(3개 축의 백터 합계).

진동 방출 값 a

금속 재질 천공

< 2.5 m/s²

불확정성 K=

1.5 m/s²

스크루드라이빙

< 2.5 m/s²

불확정성 K=

1.5 m/s²



경고!

본 정보 시트에 제공되어 있는 진동 배출 레벨은 EN 60745에 제공된 표준 시험 절차에 따라 측정되었으며 이를 사용하여 제품을 서로 비교할 수 있습니다. 예비 노출 평가에 이를 사용할 수도 있습니다.

제시된 진동 배출 레벨은 제품에 가해진 주요 진동을 나타냅니다. 하지만 다른 부속품이 있거나 적절히 유지 관리되지 않은 다른 응용 기기에 제품을 사용할 경우, 진동 배출이 다를 수 있습니다. 이는 전체 작동 시간 동안 노출 레벨을 상당히 증가시킬 수 있습니다.

진동 노출 레벨을 예측할 때 톨 스위치를 차단하거나 구동 중지지만 실제 작업을 수행하지 않은 횟수도 고려해야 합니다. 이는 전체 작동 시간 동안 노출 레벨을 상당히 감소시킬 수 있습니다.

추가적인 안전 조치를 파악하여 제품 및 부속품을 유지 관리, 손을 따뜻하게 유지 및 작업 패턴 구성 등 진동 효과로부터 작업자를 보호하십시오.



경고! 안전 경고 문구와 설명서를 모두 읽어보십시오.

경고 문구와 설명서를 준수하지 않으면 감전, 화재 및/또는 심각한 부상이 초래될 수 있습니다.

향후 참조할 수 있도록 경고 문구와 설명서를 잘 보관해 두십시오.

드릴 안전 경고

절단용 부속품이 숨겨진 배선과 접촉할 수 있는 작업을 수행할 때에는 반드시 절연 처리된 손잡이 부분을 잡으십시오. 절단 부품이 "전기가 흐르는" 전선에 닿으면 전동 공구의 노출된 금속 부품에 "전기가 흘러" 작업자가 감전될 수 있습니다.

스크루드라이버 안전 경고

패스너가 숨겨진 배선과 접촉할 수 있는 작업을 수행할 때에는 반드시 절연 처리된 손잡이 부분을 잡으십시오. 패스너가 "전기가 흐르는" 전선에 닿으면 전동 공구의 노출된 금속 부품에 "전기가 흘러" 작업자가 감전될 수 있습니다.

추가적인 안전 및 작업 지침

보호 장비를 사용하십시오. 기계를 사용해 작업할 때는 항상 보안경을 착용하십시오. 분진 마스크, 보호용 장갑, 튼튼한 미끄러짐 방지 보호용 작업화, 안전모, 귀마개 같은 보호 장구를 착용하는 것이

권장됩니다.

이 공구를 사용할 때 발생하는 분진은 건강에 해로울 수 있습니다. 그러한 분진을 흡입하지 마십시오. 적합한 분진 보호 마스크를 착용하십시오. 건강에 위험을 초래하는 물질(예를 들어 석면)을 대상으로 기계 작업을 하지 마십시오.

삽입 공구가 멈추면 즉시 장치를 끄십시오! 삽입 공구가 멈춘 상태에서 다시 장치를 켜지 마십시오. 강한 반작용력으로 갑작스럽게 반동할 수 있습니다. 삽입 공구가 왜 멈추었는지 파악하고 안전 지침에 주의해서 문제를 해결합니다.

가능한 원인:

- 기계 가공할 작업물에서 기울어져 있습니다.
- 기계 가공할 재료를 판통했습니다.
- 전동 공구가 과부하되었습니다.

기계가 작동하는 동안 손대지 마십시오.

삽입 공구는 사용 중에 매우 뜨거울 수 있습니다.

경고! 화재 위험

- 공구를 교환할 때
- 장치를 내려놓을 때

기계가 작동 중일 때 잘린 조각이나 파편을 제거하면 안 됩니다.

벽, 천장, 바닥에서 작업할 때는 전기 케이블, 가스관, 수도관을 피하도록 주의하십시오.

고정 장치로 작업물을 고정시킵니다. 작업물이 고정되지 않으면 중상 또는 파손을 일으킬 수 있습니다.

기기에서 어떠한 작업을 시작하기 전에 배터리 팩을 제거하십시오.

가정 폐기물에 있는 사용된 배터리 팩은 폐기하지도 말고, 대워서 처리하지도 마십시오. 밀폐기 유통회사들이 환경 보호를 위해 다 쓴 배터리를 회수할 것을 제안함.

배터리 팩을 금속 물체(단락 회로 위험)와 함께 보관하지 마십시오.

System M12 배터리 팩을 충전하려면 System M12 충전기만 사용하십시오. 다른 시스템의 배터리 팩을 사용하지 마십시오.

배터리 팩과 충전기를 개방하지 말고, 건조한 곳에 보관하십시오. 항상 건조한 상태로 유지하십시오.

극심한 부하 또는 극심한 온도 조건에서 손상된 배터리로부터 배터리 산이 누출될 수 있습니다. 배터리 산과 접촉한 경우, 비눗물로 즉시 세척하십시오. 눈과 접촉할 경우, 최소 10분 동안 철저히 세정한 후 즉각적인 의료 조치를 취하십시오.

지정된 사용 조건

배터리 드릴과 스크루드라이버는 주전력과 별도로 독립적인 사용을 위한 드릴 작업과 스크루드라이빙 작업을 위해 사용할 수 있습니다. 이 제품을 정상적인 사용법 이외의 방법으로 사용하지 마십시오.

배터리

장시간 사용하지 않은 배터리 팩은 사용하기 전에 충전해야 합니다. 50°C(122°F)를 초과하는 온도는 배터리 팩의 성능을 저하시킵니다. 열이나 햇볕에 오래 노출시키지 마십시오(과열 위험).

충전기 접점 및 배터리 팩을 청결한 상태로 유지해야 합니다.

최적의 수명을 보장하려면 사용한 후에 배터리 팩을 완전히 충전해야 합니다.

배터리 수명을 최대한 연장하려면 완전히 충전된 경우 충전기에서 배터리 팩을 제거하십시오.

30일 이상 배터리 팩을 보관하는 경우:

온도가 27°C 미만이며 습기가 없는 장소에 배터리 팩을 보관하십시오.

배터리 팩을 30% - 50% 충전된 조건으로 보관하십시오.

보관하지 6개월이 경과할 때마다 팩을 정상적으로 충전하십시오.

배터리 팩 보호 리튬 이온 배터리

매우 높은 도크에서, 고전류 드로우를 야기하는 결속, 실속 및 단락 회로 상황이 발생하고, 공구가 약 2초 동안 멈춘 다음, 공구가 꺼집니다.

재설정하려면 트리거를 해제하십시오.

극심한 환경 조건에서, 배터리 팩의 내부 온도가 급격히 상승할 수 있습니다. 이와 같은 상황이 발생 시 배터리에서 전원이 공급되지 않습니다.

리튬 배터리의 운송

리튬 이온 배터리는 위험물 법을 요건의 적용을 받습니다.

이 배터리는 현지, 국내 및 국제 규정과 법규에 따라 운송해야 합니다.

- 사용자는 추가 요건 없이 배터리를 도로를 통해 운반할 수 있습니다.
- 제3자가 리튬 이온 배터리를 상용으로 운송할 때에는 위험물 규정의 적용을 받습니다. 운송 준비 및 운송 작업은 적절히 교육을 이수한 개인만 수행해야 하고 그 과정에 해당 전문가가 동행해야 합니다.

배터리 운송 시 :

- 배터리 접촉면을 보호 및 차단하여 합선 위험을 방지하십시오.
- 배터리 팩이 포장 내에서 움직이지 않도록 고정하십시오.
- 균열 또는 누출이 있는 배터리는 운송하지 마십시오.

추가 지침은 운송 회사에 확인하십시오.

유지 관리

반드시 Milwaukee 부속품과 Milwaukee 예비품을 사용하십시오. 설명서에 제공되어 있지 않은 구성품을 교체할 필요가 경우 Milwaukee 서비스 센터 중 한 곳에 연락하십시오(보충/서비스 센터 주소 목록을 참조).

필요 시, 제품의 분해 조립도를 주문할 수 있습니다. 현지 서비스 센터에 라벨에 표기된 제품 번호와 장비 유형을 알려주고 도면을 주문할 수 있습니다.

기호



주의! 경고! 위험!



기기에서 어떠한 작업을 시작하기 전에 배터리 팩을 제거하십시오.



제품을 시동하기 전에 주의하여 설명서를 읽으십시오.



전기 제품과 부속품을 일반 가정용 쓰레기와 함께 버리지 마십시오.

수명이 다한 전기 제품과 전자 장비는 분리 수거하고 재활용 시설에서 처리해야 합니다. 재활용에 관한 조인과 수거 지침에 대해서는 지방 정부당국이나 소매업자에게 확인하십시오.

ความสามารถในการเจาะไม้	25 mm
ชั้นไม้ (โดยไม่ต้องเจาะก่อน)	6.5 mm
ความเร็วโดยไม่มีภาระโหลด	0-800 min ⁻¹
ค่าสูงสุดของแรงบิด (ด้วยแบตเตอรี่ Li-Ion 1.5 Ah) *1	12 Nm
ค่าสูงสุดของแรงบิด (ด้วยแบตเตอรี่ Li-Ion 3.0 Ah) *1	15 Nm
แรงดันไฟแบตเตอรี่	12 V
ระยะหัวเจาะ	1-10 mm
น้ำหนักตามขั้นตอนของ EPTA 01/2003	
น้ำหนักรวมแบตเตอรี่ (1.5 Ah)	1.1 kg
น้ำหนักรวมแบตเตอรี่ (3.0 Ah)	1.3 kg

ข้อมูลเกี่ยวกับเสียงรบกวน/การสั่น

ค่าที่วัดที่กำหนดตาม EN 60745

โดยทั่วไป ระดับเสียงรบกวน A ตามน้ำหนักของเครื่องมือมีค่าเท่ากับ

ระดับความดันเสียง (ค่า K แปรผัน = 3dB(A)) 64.5 dB (A)

ระดับกำลังเสียง (ค่า K แปรผัน = 3dB(A)) 75.5 dB (A)

อย่าลืมใส่อุปกรณ์ป้องกันหู!

ค่าการสั่นสะเทือนรวม (ผลรวมเวกเตอร์ในสามแกน) ที่กำหนดตาม EN 60745

ค่าการปล่อยการสั่นสะเทือน

เจาะเข้าไปในโลหะ

< 2.5 m/s²

ค่า K แปรผัน =

1.5 m/s²

งานสว่านไขควง

< 2.5 m/s²

ค่า K แปรผัน =

1.5 m/s²

⚠ คำเตือน!

ระดับการสั่นสะเทือนที่ให้อ่านในเอกสารนี้ได้รับการวัดให้สอดคล้องกับการทดสอบมาตรฐานตาม EN 60745 และอาจใช้เปรียบเทียบผลิตภัณฑ์หนึ่งกับอีกผลิตภัณฑ์หนึ่ง ซึ่งอาจใช้ในการประเมินการสัมผัสแรงสั่นสะเทือนเบื้องต้น

ระดับการสั่นสะเทือนที่แจ้งไว้คือระดับที่เกิดขึ้นจากการใช้งานหลัก อย่างไรก็ตาม หากใช้งานผลิตภัณฑ์ในลักษณะอื่น ด้วยอุปกรณ์เสริมที่แตกต่างจากที่แนะนำไว้ หรือขาดการบำรุงรักษาที่เหมาะสม แรงสั่นสะเทือนที่ส่งออกมาอาจมีการเปลี่ยนแปลงไป ซึ่งอาจเพิ่มระดับการสัมผัสแรงสั่นสะเทือนขึ้นอย่างมากตลอดช่วงการทำงานทั้งหมด

การประมาณระดับการสัมผัสแรงสั่นสะเทือนควรครอบคลุมถึงช่วงเวลาที่ยืดการใช้งานเครื่องมือหรือเครื่องมือยืมยืมเครื่องแต่ไม่ได้ทำงานจริงด้วย ซึ่งอาจลดระดับการสัมผัสแรงสั่นสะเทือนลงอย่างมากตลอดช่วงการทำงานทั้งหมด

อ่านมาตรการด้านความปลอดภัยเพิ่มเติมเพื่อปกป้องผู้ใช้จากผลของแรงสั่นสะเทือน เช่น การบำรุงรักษาผลิตภัณฑ์และอุปกรณ์เสริม การคอยดูแลให้มีอุณหภูมิ และ การวางแผนรูปแบบการทำงานให้เป็นระเบียบ

⚠ คำเตือน! โปรดอ่านคำเตือนเรื่องความปลอดภัยและคำแนะนำทั้งหมด การไม่ปฏิบัติตามคำเตือนและคำแนะนำอาจทำให้ถูกไฟดูด เกิดไฟไหม้ และ/หรือได้รับบาดเจ็บร้ายแรงได้

โปรดเก็บเอกสารคำเตือนและคำแนะนำทั้งหมดเพื่อใช้อ้างอิงในอนาคต

คำเตือนด้านความปลอดภัยสำหรับการเจาะ

จับเครื่องมือไฟฟ้าบริเวณหัวจับที่หุ้มฉนวน ขณะปฏิบัติงานซึ่งมีโอกาสที่ตอกตัดอาจสัมผัสกับสายไฟที่ซ่อนอยู่ได้ ซึ่งหากสายไฟดังกล่าว "มีกระแสไฟฟ้าเดินอยู่" จะทำให้ส่วนของโลหะของเครื่องมือนี้ "มีกระแสไฟฟ้า" และอาจทำให้ผู้ใช้เครื่องมือถูกไฟดูดได้

คำเตือนความปลอดภัยสำหรับงานไขควง

จับเครื่องมือบริเวณหัวจับที่หุ้มฉนวนเมื่อปฏิบัติงานที่ด้วยปลายสัมผัสกับสายไฟที่ซ่อนอยู่ได้ ด้วยยึดที่สัมผัสกับสายไฟที่ "มีกระแสไหลผ่าน" อาจทำให้ส่วนที่เป็นโลหะของอุปกรณ์ "มีกระแสไหลผ่าน" และอาจทำให้ผู้ใช้งานถูกไฟฟ้าช็อตได้

คำแนะนำเพิ่มเติมเรื่องความปลอดภัยและการใช้งาน

ใช้อุปกรณ์ป้องกัน สวมแว่นนิรภัยเสมอเมื่อทำงานกับเครื่องจักรนี้ โปรดสวมชุดป้องกันที่แนะนำให้ใช้ เช่น หน้ากากกันฝุ่น ถุงมือป้องกัน รองเท้าที่แข็งแรง และกันลื่น หมวกนิรภัย และอุปกรณ์ปกป้องการได้ยิน

ฝุ่นที่เกิดขณะใช้เครื่องมืออาจเป็นอันตรายต่อสุขภาพ อย่าสูดหายใจเอาฝุ่นดังกล่าวเข้าไป ให้สวมหน้ากากป้องกันฝุ่นที่เหมาะสม อย่าเจาะวัสดุใดๆ ที่มีอันตรายต่อสุขภาพ (เช่น แร่ใยหิน)

ปิดเครื่องทันทีหากดอกสว่านเกิดติดขัดในวัสดุที่เจาะ อย่าเปิดเครื่องอีกในขณะที่ดอกสว่านยังคงติดขัดอยู่ การทำเช่นนั้นอาจทำให้เครื่องสับโดยยั้งแรงเนื่องจากแรงดัน ให้หาสาเหตุของกรณีติดขัด และแก้ไขโดยคำนึงถึงค่าแนะนำด้านความปลอดภัย

สาเหตุที่เป็นไปได้ได้แก่:

- ชินงานที่เจาะเอียง
- เจาะทะลุผ่านวัสดุนั้นไปแล้ว
- เครื่องมือเจาะรับภาระมากเกินไป

ห้ามยื่นสิ่งใดเข้าไปในเครื่องขณะที่เครื่องทำงานอยู่ เครื่องมือแทรกนี้อาจเกิดความอันตรายระหว่างการใช้งาน

คำเตือน! อันตรายจากการไหม้

- เมื่อมีการเปลี่ยนเครื่องมือ
- เมื่อติดตั้งอุปกรณ์

ห้ามบิดเศษวัสดุและสะเก็ดที่ถูกเจาะออกจากเครื่องในขณะที่เครื่องกำลังทำงานอยู่

ขณะทำงานกับผนัง เพดาน หรือพื้น โปรดระมัดระวังการเจาะถูกสายไฟ และท่อก๊าซหรือท่อน้ำ

ยึดชินงานที่จะเจาะด้วยอุปกรณ์ยึด การไม่ยึดชินงานนี้จะเจาะอาจทำให้ได้รับบาดเจ็บร้ายแรงหรือเกิดความเสียหายได้

ถอดชุดแบตเตอรี่ออกก่อนเริ่มกระทำการใดๆ กับเครื่องใช้

ห้ามทิ้งแบตเตอรี่ที่ใช้แล้วกับขยะครัวเรือนหรือโดยการเผาทำลาย ผู้แทนจำหน่ายของ Milwaukee มีข้อเสนอในการกู้คืนแบตเตอรี่เก่าเพื่อปกป้องสภาพแวดล้อมของเรา

ไม่เก็บชุดแบตเตอรี่ไว้รวมกับวัตถุอื่นที่เป็นโลหะ (เสี่ยงต่อการลัดวงจร)

ชาร์จชุดแบตเตอรี่ System M12 ด้วยตัวชาร์จสำหรับ System M12 เท่านั้น อย่าใช้แบตเตอรี่จากระบบอื่น ๆ

ห้ามเปิดทำลายแบตเตอรี่และเครื่องชาร์จและเก็บไว้ในห้องที่แห้งเท่านั้น เก็บให้แห้งทุกครั้ง

กรดแบตเตอรี่อาจรั่วซึมจากแบตเตอรี่ที่เสียหายภายใต้อุณหภูมิสูงหรือการใช้งานที่หนักมากเกินไป หากสัมผัสกับกรดแบตเตอรี่ ให้ล้างออกทันทีด้วยน้ำสบู่ หากกรดแบตเตอรี่เข้าตา ล้างตาให้ทั่วด้วยน้ำอย่างน้อย 10 นาทีและไปพบแพทย์ทันที

สภาพการใช้งานที่กำหนด

แบตเตอรี่หัวเจาะ / ไขควงอาจจะใช้สำหรับชาร์จและขันสกรูสำหรับการใช้งานที่เป็นอิสระออกจากแหล่งจ่ายไฟหลัก

ห้ามใช้ผลิตภัณฑ์นี้นอกเหนือไปจากการใช้งานแบบปกติ

แบตเตอรี่

ชุดแบตเตอรี่ใหม่มีขีดความจุโหลดเต็มหลังจากการชาร์จและ ปล่อย 4-5 ครั้ง ควรจะชาร์จชุดแบตเตอรี่ที่ยังไม่ได้ถูกนำมาใช้ ระยะหนึ่งก่อน การใช้งาน

ประสิทธิภาพของชุดแบตเตอรี่จะลดลงหากอุณหภูมิสูงกว่า 50°C (122°F) หลีกเลี่ยงไม่ให้อุณหภูมิแสดงแดดหรือความร้อนเป็นเวลานาน (เสี่ยงต่อความร้อนเกิน)

ต้องหมั่นดูแลความสะอาดหน้าสัมผัสตัวชาร์จกับชุดแบตเตอรี่

เพื่อยืดอายุการใช้งาน ควรชาร์จแบตเตอรี่ให้เต็มหลังการใช้งาน

เพื่อรักษาอายุแบตเตอรี่ให้นานที่สุด ให้ถอดชุดแบตเตอรี่ออกจากตัวชาร์จเมื่อชาร์จไฟเต็ม

สำหรับชุดแบตเตอรี่ที่ต้องการเก็บไว้นานกว่า 30 วัน:

เก็บชุดแบตเตอรี่ไว้ที่อุณหภูมิต่ำกว่า 27°C และหลีกเลี่ยงความชื้น

เก็บชุดแบตเตอรี่ไว้ที่ประจุ 30% - 50%

ให้ชาร์จแบตเตอรี่ตามปกติทุกหกเดือนที่เก็บ

การป้องกันชุดแบตเตอรี่ใหม่ไอออน

ในสถานการณ์ที่เกิดแรงบิดสูง ติดขัด สะดุด และเกิดการลัดวงจรเนื่องจากมีกระแสย้อนกลับสูง เครื่องมือจะหยุดเป็นเวลา 2 วินาทีแล้วเครื่องมือจะดับลง การรีเซ็ต ปล่อยให้

ภายใต้สถานการณ์รุนแรง อุณหภูมิภายในของแบตเตอรี่อาจจะสูงขึ้นได้ หากเกิดขึ้นนี้ขึ้น แบตเตอรี่จะดับ

การขนส่งแบตเตอรี่เชื่อม

แบตเตอรี่เชื่อมไอออนอยู่ภายใต้ข้อกำหนดตามกฎหมายของสินค้าอันตราย การขนส่งแบตเตอรี่เหล่านี้ต้องกระทำตามกฎระเบียบและข้อบังคับของท้องถิ่น ของประเทศ และระหว่างประเทศ

• ผู้ใช้สามารถขนส่งแบตเตอรี่ทางถนนได้โดยไม่มีข้อกำหนดใดๆ เพิ่มเติม

• การขนส่งแบตเตอรี่เชื่อมไอออนเชิงพาณิชย์โดยนิติบุคคลอื่นต้องดำเนินการภายใต้กฎระเบียบว่าด้วยสินค้าที่มีอันตราย การเตรียมการขนส่งและการขนส่งต้องดำเนินการโดยบุคลากรที่ผ่านการฝึกอบรมมาแล้วเท่านั้น และในระหว่างดำเนินการต้องมีผู้เชี่ยวชาญที่เกี่ยวข้องคอยกำกับดูแล

เมื่อขนย้ายแบตเตอรี่:

- ตรวจสอบให้แน่ใจว่าขั้วต่อแบตเตอรี่ได้รับการปกป้องและหุ้มฉนวนเพื่อป้องกันไฟฟ้าลัดวงจร
- โปรดตรวจสอบให้แน่ใจว่าแบตเตอรี่ได้รับการบรรจุหีบห่ออย่างมั่นคงเพื่อป้องกันการชนขยี้บเขยือ
- ห้ามเคลื่อนย้ายแบตเตอรี่ที่แตกหรือรั่ว

ตรวจสอบกับบริษัทจัดส่งเพื่อขอคำแนะนำเพิ่มเติม

การบำรุงรักษา

ให้ใช้อุปกรณ์เสริมและชิ้นส่วนอะไหล่ของ Milwaukee เท่านั้น หากจำเป็นต้องเปลี่ยนชิ้นส่วนที่ไม่ได้ระบุไว้ข้างต้น โปรดติดต่อพนักงานบริการของ Milwaukee (โปรดดูรายชื่อร้านรับประกัน/บริการของเรา)

ถ้าต้องการ สามารถส่งภาพการระเบิดของเครื่องมือได้ โปรดระบุหมายเลขเอกสารและประเภทเครื่องจักรที่พิมพ์บนฉลาก และส่งภาพที่ตัวแทนบริการในพื้นที่ของท่าน

เครื่องหมาย



ระวัง! คำเตือน! อันตราย!



ถอดชุดแบตเตอรี่ออกก่อนเริ่มกระทำการใดๆ กับเครื่องใช้



โปรดอ่านคำแนะนำอย่างระมัดระวังก่อนเริ่มใช้เครื่องมือ



อย่าทิ้งเครื่องมือไฟฟ้าร่วมกับขยะในครัวเรือน เครื่องมือไฟฟ้าและอุปกรณ์อิเล็กทรอนิกส์ทั้งหมดอายุใช้งานแล้วจะต้องเก็บแยกกันและส่งกลับไปยังสถานีรีไซเคิลเพื่อสิ่งแวดล้อม ตรวจสอบกับผู้มีอำนาจในท้องถิ่นของคุณหรือร้านค้าปลีกสำหรับคำแนะนำในการรีไซเคิลและจุดเก็บรวบรวม

Tingkat pukulan berdasarkan beban maksimal	25 mm
Sekrup kayu (tanpa pra-pengeboran)	6.5 mm
Kecepatan tanpa beban	0-800 min ⁻¹
Torsi Maksimum (dengan Baterai Li-Ion 1.5 Ah) *1	12 Nm
Torsi Maksimum (dengan Baterai Li-Ion 3.0 Ah) *1	15 Nm
Tegangan baterai	12 V
Rentang catok bor	1-10 mm
Bobot sesuai dengan Prosedur EPTA 01/2003	
dengan Baterai Li-Ion 1.5 Ah	1.1 kg
dengan Baterai Li-Ion 3.0 Ah	1.3 kg

Informasi derau/vibrasi

Nilai terukur yang ditentukan sesuai EN 60745.

Biasanya, level kebisingan tertimbang A dari alat adalah:

Tingkat tekanan suara (K Ketidakpastian=3dB(A))	64.5 dB (A)
Tingkat kekuatan suara (K Ketidakpastian=3dB(A))	75.5 dB (A)

Pakailah pelindung telinga!

Total nilai vibrasi (jumlah vektor di ketiga aksis) ditentukan sesuai EN 60745.

Nilai a emisi getaran

Mengebor logam	< 2.5 m/s ²
K Ketidakpastian=	1.5 m/s ²
Penyekrupan	< 2.5 m/s ²
K Ketidakpastian=	1.5 m/s ²

PERINGATAN!

Tingkat emisi getaran yang diberikan dalam lembar informasi ini telah diukur sesuai dengan uji terstandar yang diberikan dalam EN 60745 dan dapat digunakan untuk membandingkan satu produk dengan yang lainnya. Dapat digunakan untuk penilaian pendahuluan terhadap paparan.

Tingkat emisi getaran yang dinyatakan mewakili penggunaan utama produk ini. Namun, jika produk digunakan untuk penggunaan yang berbeda, dengan aksesoris yang berbeda, atau pemeliharaan yang kurang memadai, maka emisi getaran mungkin akan berbeda. Hal ini dapat meningkatkan tingkat paparan secara signifikan selama periode kerja total.

Estimasi tingkat paparan terhadap getaran juga harus diperhitungkan pada saat alat dimatikan atau ketika dijalankan tetapi tidak benar-benar bekerja. Hal ini dapat menurunkan tingkat paparan secara signifikan selama periode kerja total.

Tentukan langkah-langkah keselamatan tambahan untuk melindungi operator dari efek getaran seperti: memelihara produk dan aksesoris, menjaga agar tangan tetap hangat, dan mengelola pola kerja.

PERINGATAN! Baca semua peringatan keselamatan dan semua petunjuk.

Jika tidak mematuhi peringatan dan petunjuk, dapat berakibat sengatan listrik, kebakaran, dan/atau cedera parah.

Simpan semua peringatan dan petunjuk sebagai referensi sewaktu-waktu.

PERINGATAN KESELAMATAN BOR

Pegang alat listrik dengan permukaan genggam berinsulasi, saat melakukan pengoperasian di mana pengencang mungkin bersentuhan dengan perkabelan tersembunyi. Aksesoris potong yang bersentuhan dengan kabel "live" mungkin membuat komponen logam

alat listrik terekspos menjadi "live" dan dapat menimbulkan sengatan listrik bagi operator.

PERINGATAN KESELAMATAN PENYEKRUP

Pegang alat listrik dengan permukaan genggam berinsulasi, saat melakukan pengoperasian di mana pengencang mungkin bersentuhan dengan perkabelan tersembunyi. Pengencang yang bersentuhan dengan kabel "yang teraliri daya" mungkin membuat komponen logam alat listrik terekspos menjadi "teraliri daya" dan dapat menimbulkan sengatan listrik bagi operator.

PETUNJUK KESELAMATAN DAN KERJA TAMBAHAN

Gunakan alat pelindung. Selalu kenakan kaca mata pelindung saat bekerja menggunakan mesin ini. Dianjurkan memakai pakaian pelindung, seperti masker debu, sarung tangan pelindung, sepatu alas karet yang kokoh, helm, dan pelindung telinga.

Debu yang timbul saat menggunakan alat ini dapat membahayakan kesehatan. Jangan menghirup debu. Pakai masker pelindung debu yang tepat. Jangan mengerjakan dengan mesin ini bahan apa pun yang membahayakan kesehatan (mis. asbestos).

Segera matikan perangkat jika alat insersi macet! Jangan nyalakan dulu perangkat saat alat insersi masih macet, karena dapat memicu hentakan kuat dengan kekuatan reaktif tinggi. Pastikan penyebab alat insersi macet dan perbaiki ini, dengan mengacu pada petunjuk keselamatan.

Kemungkinan penyebabnya adalah:

- bahan kerja yang akan dikerjakan posisinya miring
- Alat tersangkut di bahan yang akan dikerjakan
- Alat listrik kelebihan beban

Jangan menjangkau mesin saat sedang beroperasi.

Alat sisipan dapat menjadi panas selama penggunaan.

PERINGATAN! Bahaya luka bakar:

- ketika mengganti peralatan
- Saat meletakkan perangkat

Chip dan splinter tidak boleh dilepas saat mesin sedang beroperasi.

Saat bekerja di plafon atau lantai, hati-hati untuk hindari kabel listrik dan saluran pipa gas serta air.

Jepit bahan kerja Anda dengan perangkat jepit. Bahan kerja yang tidak dijepit dapat menyebabkan cedera dan kerusakan parah.

Lepaskan paket baterai sebelum memulai pekerjaan apa pun pada alat.

Jangan membuang unit baterai bekas dalam sampah rumah tangga atau membakarnya. Distributor Milwaukee menawarkan untuk mengambil baterai lama guna melindungi lingkungan kita.

Jangan menyimpan paket baterai bersama benda logam (risiko arus pendek).

Hanya gunakan pengisi daya System M12 untuk mengisi daya paket baterai System M12. Jangan menggunakan unit baterai dari sistem lain.

Jangan sekali-kali membuka unit baterai dan pengisi daya serta hanya simpan di tempat kering. Jaga tetap kering setiap saat.

Asam baterai dapat merembes dari baterai yang rusak akibat beban atau suhu yang ekstrem. Jika asam baterai mengenai Anda, segera cuci dengan sabun dan air. Jika mengenai mata, bilas sebanyak-banyaknya selama setidaknya 10 menit dan segera dapatkan penanganan medis.

KONDISI PENGGUNAAN KHUSUS

Bor/obeng baterai dapat digunakan untuk mengebor dan mengobeng untuk penggunaan independen jauh dari pasokan listrik.

Jangan gunakan produk ini selain penggunaan normal yang telah dinyatakan.

BATERAI

Pek bateri yang belum digunakan dalam satu jangka masa perlu dicas semula sebelum digunakan.

Suhu yang melebihi 50°C (122°F) akan mengurangi kinerja paket baterai. Hindari paparan berlebihan terhadap panas atau sinar matahari (risiko panas berlebihan).

Kontak pada pengisi daya dan paket baterai harus dijaga kebersihannya.

Untuk masa pemakaian optimal, paket baterai harus diisi dayanya hingga penuh setelah digunakan.

Untuk memaksimalkan masa pemakaian baterai, lepaskan paket baterai dari pengisi daya setelah terisi sepenuhnya.

Untuk penyimpanan paket baterai lebih dari 30 hari:

Simpan paket baterai jika suhu berada di bawah 27°C dan jauhkan dari kelembapan.

Simpan paket baterai dalam kondisi terisi dayanya 30% - 50%.

Jika penyimpanan paket baterai mencapai enam bulan, isi daya baterai seperti biasa.

PERLINDUNGAN KEMASAN BATERAI - BATERAI LITUM-ION

Dalam torsi yang sangat tinggi, terikat, mogok dan situasi arus pendek yang menyebabkan tarikan arus tinggi, alat akan berhenti selama sekitar 2 detik, dan kemudian alat akan padam.

Untuk menyetel ulang, lepaskan pemacu.

Dalam kondisi ekstrem, suhu dalam baterai dapat meningkat. Jika hal ini terjadi, baterai akan padam.

PENGANGKUTAN BATERAI LITUM

Baterai litium-ion tunduk pada persyaratan Legislasi Barang Berbahaya

Pengangkutan baterai ini harus dilakukan sesuai regulasi dan peraturan daerah, nasional, dan internasional.

- Pengguna dapat membawa baterai di jalan tanpa peraturan lebih lanjut.
- Pengangkutan komersial baterai Litium-Ion oleh pihak ketiga tunduk pada peraturan Barang Berbahaya. Persiapan pengangkutan dan pengangkutan harus dilakukan oleh orang yang terlatih dan prosesnya harus diawasi oleh pakar yang terkait.

Ketika mengangkut baterai:

- Pastikan bahwa terminal kontak baterai terlindungi dan terisolasi untuk mencegah korsleting.
- Pastikan wadah baterai sudah dikencangkan agar tidak terpengaruh oleh pergerakan di dalam pengemasannya.
- Jangan mengangkut baterai yang retak atau bocor.

Tanyakan kepada perusahaan pengiriman untuk memperoleh pemberitahuan lebih lanjut.

PEMELIHARAAN

Gunakan hanya aksesoris dan suku cadang Milwaukee. Jika komponen yang belum dijelaskan perlu diganti, silakan hubungi agen servis Milwaukee.

Jika diperlukan, gambar pecahan komponen dapat dipesan. Sebutkan no. artikel serta tipe mesin yang dicetak pada label dan pesan gambarnya di agen servis terdekat Anda.

SIMBOL



PERHATIAN! PERINGATAN! BAHAYA!



Lepaskan paket baterai sebelum memulai pekerjaan apa pun pada alat.



Baca petunjuk dengan cermat sebelum memulai menggunakan mesin.



Jangan membuang perkakas listrik bersama dengan material limbah rumah tangga. Perkakas listrik dan peralatan elektronik yang telah mencapai akhir masa pakainya harus dikumpulkan secara terpisah dan dikembalikan ke fasilitas daur ulang yang selaras dengan lingkungan. Tanyakan kepada otoritas atau penyalur setempat mengenai daur ulang dan titik pengumpulan.





